


Screw plug - A-INSP-PG16-65N-P-BK - 1415213

Please be informed that the data shown in this PDF Document is generated from our Online Catalog. Please find the complete data in the user's documentation. Our General Terms of Use for Downloads are valid (<http://phoenixcontact.com/download>)

Screw plug, material: PA, connecting thread: Pg16, color: jet black RAL 9005, with O-ring



Key Commercial Data

Packing unit	1 pc
Minimum order quantity	10 pc
GTIN	 4 055626 038568
GTIN	4055626038568
Weight per Piece (excluding packing)	2.000 g
Custom tariff number	39269097
Country of origin	Germany

Technical data

Dimensions

Length	9.5 mm
Connecting thread diameter	22.5 mm
Hexagon angular dimension	27 mm (Diameter)
Length of the connecting thread	6 mm

Ambient conditions

Degree of protection (IP)	IP65
Ambient temperature (operation)	-40 °C ... 100 °C

General

Material	PA
----------	----

Screw plug - A-INSP-PG16-65N-P-BK - 1415213

Technical data

General

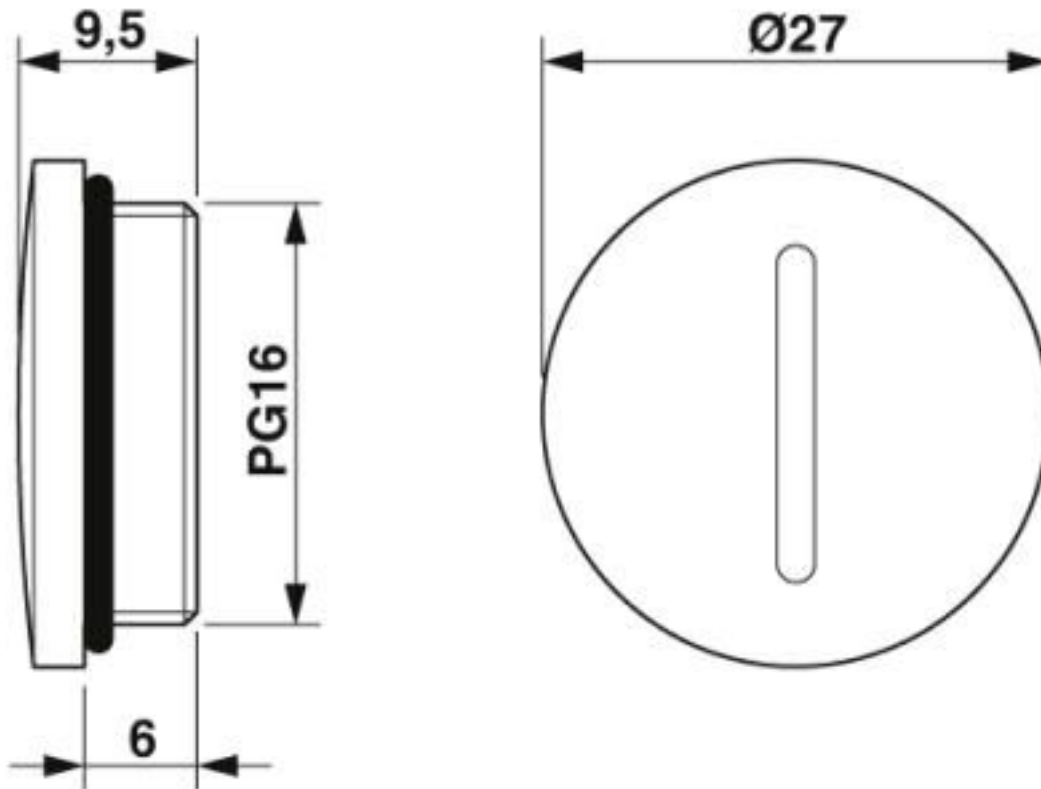
Sealing material	EPDM (Flat gasket)
Thread type on connection side	Pg16
Color	jet black RAL 9005

Environmental Product Compliance

China RoHS	Environmentally friendly use period: unlimited = EFUP-e
	No hazardous substances above threshold values

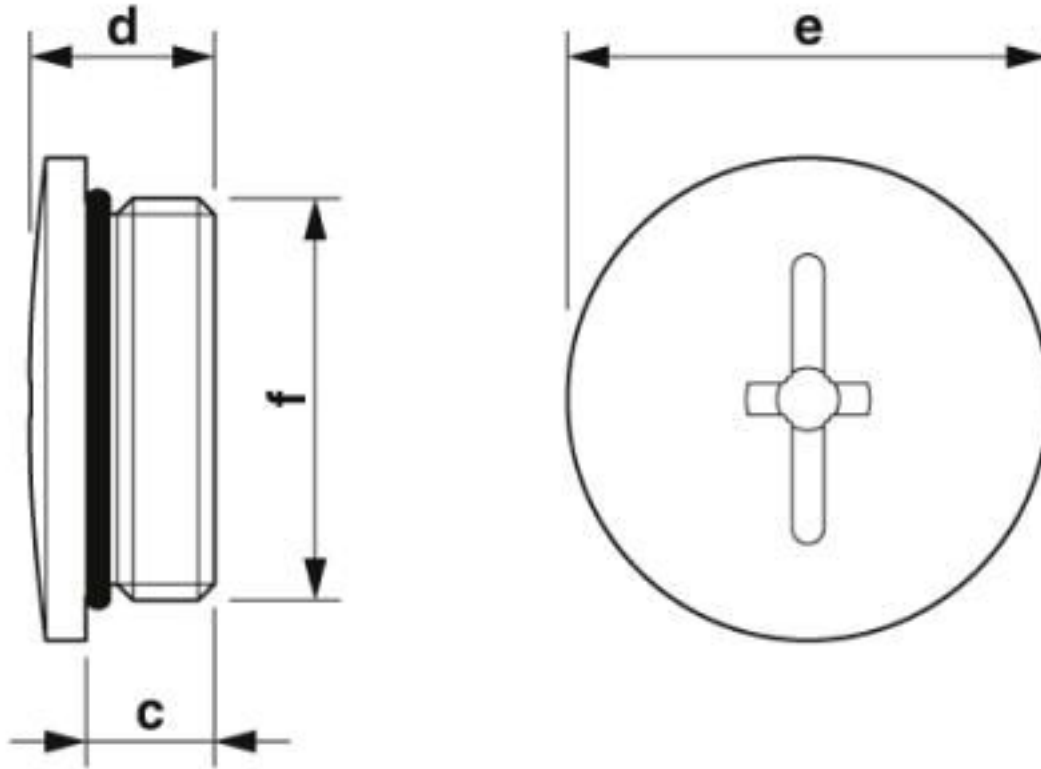
Drawings

Dimensional drawing



Screw plug - A-INSP-PG16-65N-P-BK - 1415213

Dimensional drawing



Classifications

eCl@ss

eCl@ss 10.0.1	23111190
eCl@ss 4.0	23111100
eCl@ss 4.1	23111100
eCl@ss 5.0	23111100
eCl@ss 5.1	23111100
eCl@ss 6.0	23111100
eCl@ss 7.0	23111190
eCl@ss 8.0	23111190
eCl@ss 9.0	23111190

ETIM

ETIM 4.0	EC000032
ETIM 5.0	EC000032
ETIM 6.0	EC000032

Screw plug - A-INSP-PG16-65N-P-BK - 1415213

Classifications

ETIM

ETIM 7.0	EC000032
----------	----------

UNSPSC

UNSPSC 13.2	31161501
UNSPSC 18.0	31261502
UNSPSC 19.0	31261502
UNSPSC 20.0	31261502
UNSPSC 21.0	31261502

Accessories

Accessories

Flat nut

Counter nut - A-INL-PG16-P-BK - 1424562



Counter nut, material: PA 6 GF 30, connecting thread: Pg16, color: jet black RAL 9005