

## Cable gland - G-INESR-M25-M68N-NEPDS-S - 1415193

Please be informed that the data shown in this PDF Document is generated from our Online Catalog. Please find the complete data in the user's documentation. Our General Terms of Use for Downloads are valid (<http://phoenixcontact.com/download>)



Cable gland, cable gland material: Nickel-plated brass, external cable diameter 9 mm ... 17 mm, shielding: no, connecting thread: M25 x 1.5, color: silver, with external strain relief, with O-ring

### Your advantages

- Weatherproof sealing material
- Halogen-free

### Key Commercial Data

|                                      |                     |
|--------------------------------------|---------------------|
| Packing unit                         | 1 pc                |
| Minimum order quantity               | 5 pc                |
| GTIN                                 | <br>4 055626 038216 |
| GTIN                                 | 4055626038216       |
| Weight per Piece (excluding packing) | 116.000 g           |
| Custom tariff number                 | 74199990            |
| Country of origin                    | Germany             |

### Technical data

#### Dimensions

|                                  |                     |
|----------------------------------|---------------------|
| Length                           | 42 mm               |
| Length without connecting thread | 35 mm               |
| Wrench size, union nut           | 29 mm               |
| Wrench size, support             | 29 mm               |
| Hexagon angular dimension        | 32 mm               |
| Length of the connecting thread  | 7 mm                |
| Feed-through hole diameter       | 25.1 mm ... 25.2 mm |

# Cable gland - G-INESR-M25-M68N-NEPDS-S - 1415193

## Technical data

### Dimensions

|  |                                   |
|--|-----------------------------------|
| External cable diameter                  | 9 mm ... 17 mm                    |
|  | 7.5 mm ... 11.3 mm (for UL 514 B) |
| Clamping range of the strain relief clip | 9.00 mm ... 17.00 mm              |

### Ambient conditions

|                                 |                                 |
|---------------------------------|---------------------------------|
| Degree of protection (IP)       | IP68 (5 bar / 0.5 h)            |
|                                 | IP69 (DIN EN 60529 / IEC 60529) |
| Ambient temperature (operation) | -40 °C ... 100 °C (static)      |

### General

|                                |                             |
|--------------------------------|-----------------------------|
| Type                           | with external strain relief |
| No. of conductors              | 1                           |
| Cable gland material           | Nickel-plated brass         |
| Material, insert               | PA                          |
| Cable seal material            | EPDM                        |
| O-ring material                | EPDM                        |
| Shielded                       | no                          |
| Thread type on connection side | M25 x 1.5                   |
| Torque                         | 10 Nm (Union nut: EN 62444) |
|                                | 10 Nm (Support: EN 62444)   |
|                                | 0.4 Nm (Screw for clip)     |
| Color                          | silver                      |
| Impact category                | 6                           |
| Execution of the strain relief | B                           |
| Manufacturer                   | WISKA                       |
| Manufacturer Designation       | EMSKVZ 25                   |

### Standards and Regulations

|              |     |
|--------------|-----|
| Halogen-free | yes |
|--------------|-----|

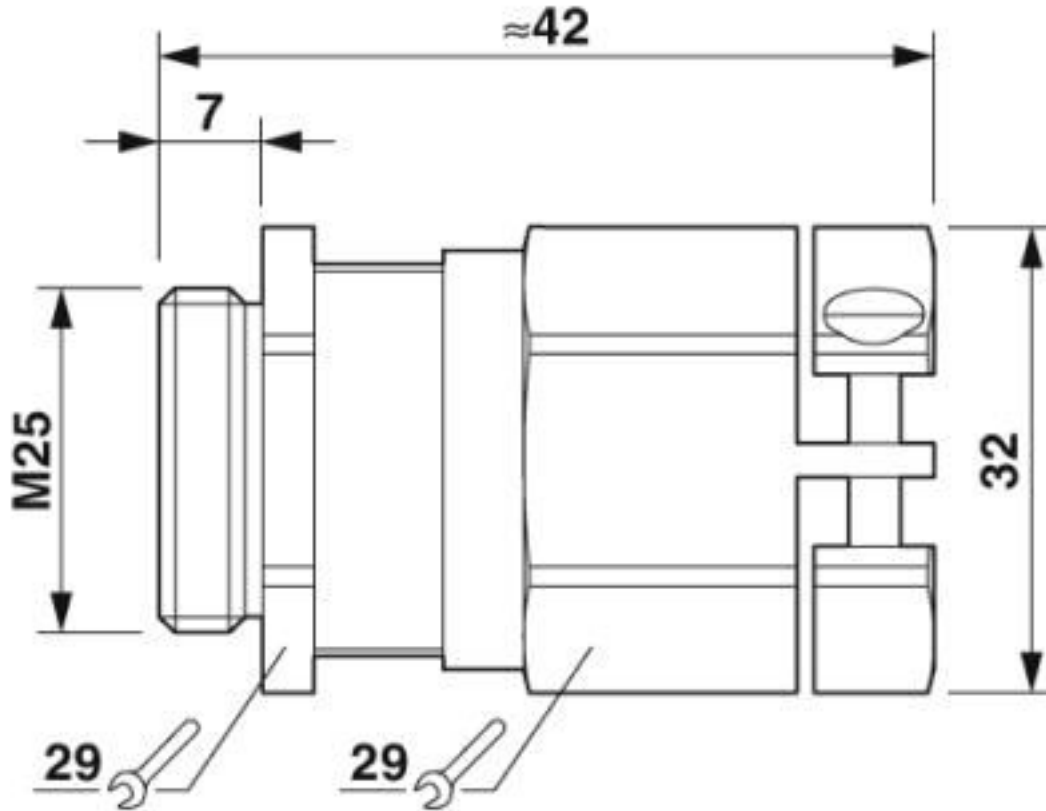
### Environmental Product Compliance

|            |   |
|------------|---|
| REACH SVHC | Lead 7439-92-1  |
| China RoHS | Environmentally Friendly Use Period = 50 years  |
|            | For details about hazardous substances go to tab "Downloads", Category "Manufacturer's declaration" |

## Drawings

# Cable gland - G-INESR-M25-M68N-NEPDS-S - 1415193

Dimensional drawing



## Classifications

eCl@ss

|               |          |
|---------------|----------|
| eCl@ss 10.0.1 | 27144432 |
| eCl@ss 4.0    | 27141200 |
| eCl@ss 4.1    | 27141200 |
| eCl@ss 5.0    | 27149100 |
| eCl@ss 5.1    | 27149100 |
| eCl@ss 6.0    | 27149100 |
| eCl@ss 7.0    | 27149109 |
| eCl@ss 8.0    | 27149109 |
| eCl@ss 9.0    | 27144432 |

ETIM

|          |          |
|----------|----------|
| ETIM 5.0 | EC000441 |
| ETIM 6.0 | EC000441 |

# Cable gland - G-INESR-M25-M68N-NEPDS-S - 1415193

## Classifications

### ETIM

|          |          |
|----------|----------|
| ETIM 7.0 | EC000441 |
|----------|----------|

### UNSPSC

|             |          |
|-------------|----------|
| UNSPSC 13.2 | 39121311 |
| UNSPSC 18.0 | 39121311 |
| UNSPSC 19.0 | 39121311 |
| UNSPSC 20.0 | 39121311 |
| UNSPSC 21.0 | 39121311 |

## Approvals

### Approvals

#### Approvals

UL Recognized / cUL Recognized / GOST-R / cULus Recognized

#### Ex Approvals

### Approval details

|               |  |   |         |
|---------------|--|---|---------|
| UL Recognized |  | <a href="http://database.ul.com/cgi-bin/XYV/template/LISEXT/1FRAME/index.htm">http://database.ul.com/cgi-bin/XYV/template/LISEXT/1FRAME/index.htm</a> | E179850 |
|---------------|--|---|---------|

|                |  |   |         |
|----------------|--|---|---------|
| cUL Recognized |  | <a href="http://database.ul.com/cgi-bin/XYV/template/LISEXT/1FRAME/index.htm">http://database.ul.com/cgi-bin/XYV/template/LISEXT/1FRAME/index.htm</a> | E179850 |
|----------------|--|---|---------|

|        |  |  |                        |
|--------|--|--|------------------------|
| GOST-R |  |  | POCC<br>DE.A*98.H12052 |
|--------|--|--|------------------------|

|                  |  |  |  |
|------------------|--|--|--|
| cULus Recognized |  |  |  |
|------------------|--|--|--|

## Cable gland - G-INESR-M25-M68N-NEPDS-S - 1415193

### Accessories

#### Accessories

#### Flat nut

Counter nut - A-INL-M25-N-S - 1411243



Counter nut, material: Brass, nickel-plated, for threads M25 x 1.5, color: silver