

## Cable gland - G-INB-M40-M68N-NEPDS-S - 1415185

Please be informed that the data shown in this PDF Document is generated from our Online Catalog. Please find the complete data in the user's documentation. Our General Terms of Use for Downloads are valid (<http://phoenixcontact.com/download>)




Cable gland, cable gland material: Nickel-plated brass, external cable diameter 16 mm ... 28 mm, shielding: no, connecting thread: M40 x 1.5, color: silver, with bend protection sleeve, with O-ring

### Your advantages

- Weatherproof sealing material
- Halogen-free

### Key Commercial Data

|                                      |   |
|--------------------------------------|---|
| Packing unit                         | 1 pc  |
| GTIN                                 | <br>4 055626 038162 |
| GTIN                                 | 4055626038162   |
| Weight per Piece (excluding packing) | 680.000 g   |
| Custom tariff number                 | 74199990  |
| Country of origin                    | Germany   |

### Technical data

#### Dimensions

|                                 |                                    |
|---------------------------------|------------------------------------|
| Length                          | 184 mm                             |
| Wrench size, union nut          | 46 mm                              |
| Wrench size, support            | 46 mm                              |
| Hexagon angular dimension       | 51 mm                              |
| Length of the connecting thread | 8 mm                               |
| Feed-through hole diameter      | 40.1 mm ... 40.3 mm                |
| External cable diameter         | 16 mm ... 28 mm                    |
|                                 | 17.4 mm ... 26.4 mm (for UL 514 B) |

# Cable gland - G-INB-M40-M68N-NEPDS-S - 1415185

## Technical data

### Ambient conditions

|                                 |                                 |
|---------------------------------|---------------------------------|
| Degree of protection (IP)       | IP68 (5 bar / 0.5 h)            |
|                                 | IP69 (DIN EN 60529 / IEC 60529) |
| Ambient temperature (operation) | -40 °C ... 100 °C (static)      |

### General

|                                |                                 |
|--------------------------------|---------------------------------|
| Type                           | with bend protection sleeve     |
| No. of conductors              | 1                               |
| Cable gland material           | Nickel-plated brass             |
| Sealing material               | EPDM (Cable seal, halogen-free) |
| Shielded                       | no                              |
| Thread type on connection side | M40 x 1.5                       |
| Torque                         | 20 Nm (Union nut: EN 62444)     |
|                                | 20 Nm (Support: EN 62444)       |
| Color                          | silver                          |
| Impact category                | 6                               |
| Execution of the strain relief | A                               |
| Manufacturer                   | WISKA                           |
| Manufacturer Designation       | EMSKVS 40                       |

### Standards and Regulations

|              |     |
|--------------|-----|
| Halogen-free | yes |
|--------------|-----|

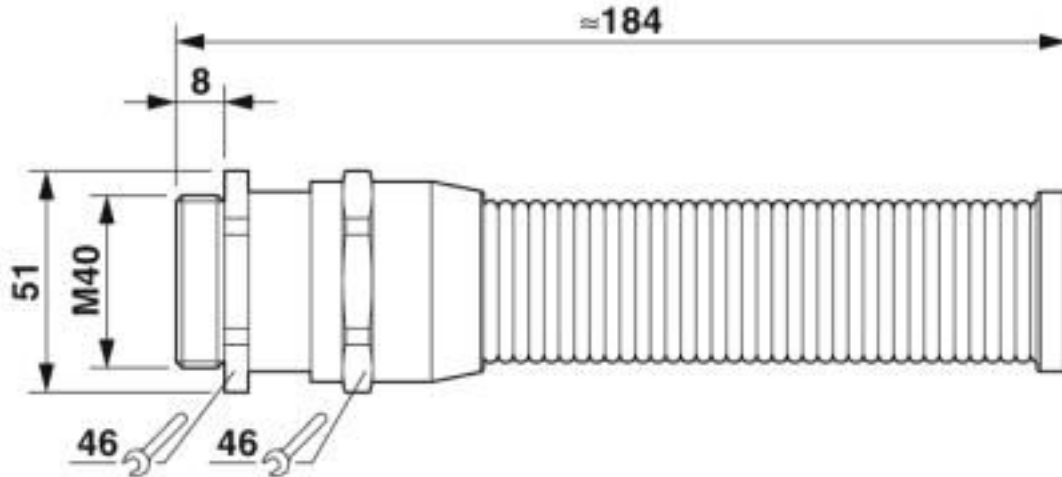
### Environmental Product Compliance

|            |   |
|------------|---|
| REACH SVHC | Lead 7439-92-1  |
| China RoHS | Environmentally Friendly Use Period = 50 years  |
|            | For details about hazardous substances go to tab "Downloads", Category "Manufacturer's declaration" |

## Drawings

# Cable gland - G-INB-M40-M68N-NEPDS-S - 1415185

Dimensional drawing



## Classifications

eCl@ss

|               |          |
|---------------|----------|
| eCl@ss 10.0.1 | 27144432 |
| eCl@ss 4.0    | 27141200 |
| eCl@ss 4.1    | 27141200 |
| eCl@ss 5.0    | 27149100 |
| eCl@ss 5.1    | 27149100 |
| eCl@ss 6.0    | 27149100 |
| eCl@ss 7.0    | 27149109 |
| eCl@ss 8.0    | 27149109 |
| eCl@ss 9.0    | 27144432 |

ETIM

|          |          |
|----------|----------|
| ETIM 5.0 | EC000441 |
| ETIM 6.0 | EC000441 |
| ETIM 7.0 | EC000441 |

UNSPSC

|             |          |
|-------------|----------|
| UNSPSC 13.2 | 39121311 |
| UNSPSC 18.0 | 39121311 |
| UNSPSC 19.0 | 39121311 |
| UNSPSC 20.0 | 39121311 |
| UNSPSC 21.0 | 39121311 |

# Cable gland - G-INB-M40-M68N-NEPDS-S - 1415185

## Approvals

### Approvals

---

#### Approvals

UL Recognized / cUL Recognized / GOST-R / cULus Recognized

---

#### Ex Approvals

---

### Approval details

|               |  |   |         |
|---------------|--|---|---------|
| UL Recognized |  | <a href="http://database.ul.com/cgi-bin/XYV/template/LISEXT/1FRAME/index.htm">http://database.ul.com/cgi-bin/XYV/template/LISEXT/1FRAME/index.htm</a> | E179850 |
|---------------|--|---|---------|

|                |  |   |         |
|----------------|--|---|---------|
| cUL Recognized |  | <a href="http://database.ul.com/cgi-bin/XYV/template/LISEXT/1FRAME/index.htm">http://database.ul.com/cgi-bin/XYV/template/LISEXT/1FRAME/index.htm</a> | E179850 |
|----------------|--|---|---------|

|        |  |  |                        |
|--------|--|--|------------------------|
| GOST-R |  |  | POCC<br>DE.A*98.H12052 |
|--------|--|--|------------------------|

|                  |  |  |  |
|------------------|--|--|--|
| cULus Recognized |  |  |  |
|------------------|--|--|--|

## Accessories

### Accessories

#### Flat nut

Counter nut - A-INL-M40-N-S - 1411246



Counter nut, material: Brass, nickel-plated, for threads M40 x 1.5, color: silver

