

## Cable gland - G-INB-M25-M68N-PEPDS-BK - 1415180

Please be informed that the data shown in this PDF Document is generated from our Online Catalog. Please find the complete data in the user's documentation. Our General Terms of Use for Downloads are valid (<http://phoenixcontact.com/download>)




Cable gland, cable gland material: PA, external cable diameter 9 mm ... 17 mm, shielding: no, connecting thread: M25 x 1.5, color: jet black RAL 9005, with bend protection sleeve

### Your advantages

- Glow-wire test: 750°C
- Weatherproof sealing material
- Halogen-free

### Key Commercial Data

Packing unit	1 pc
Minimum order quantity	10 pc
GTIN	 4 055626 038117
GTIN	4055626038117
Weight per Piece (excluding packing)	36.000 g
Custom tariff number	39269097
Country of origin	Germany

### Technical data

#### Dimensions

Length	113 mm
Wrench size, union nut	29 mm
Wrench size, support	29 mm
Hexagon angular dimension	32 mm
Length of the connecting thread	12 mm
Feed-through hole diameter	25.1 mm ... 25.2 mm

# Cable gland - G-INB-M25-M68N-PEPDS-BK - 1415180

## Technical data

### Dimensions

External cable diameter	9 mm ... 17 mm
	10.8 mm ... 15.8 mm (for UL 514 B)

### Ambient conditions

Degree of protection (IP)	IP68 (5 bar / 0.5 h)
	IP69 (DIN EN 60529 / IEC 60529)
Ambient temperature (operation)	-40 °C ... 100 °C (static)

### General

Type	with bend protection sleeve
No. of conductors	1
Cable gland material	PA
Sealing material	EPDM (Cable seal, halogen-free)
Glow wire ignition temperature GWIT according to EN 60695-2-13	750.00
Shielded	no
Thread type on connection side	M25 x 1.5
Torque	4 Nm (Union nut: EN 62444)
	10 Nm (Support: EN 62444)
Color	jet black RAL 9005
Impact category	4
Execution of the strain relief	A
Manufacturer	WISKA
Manufacturer Designation	ESKVS 25

### Standards and Regulations

Halogen-free	yes
--------------	-----

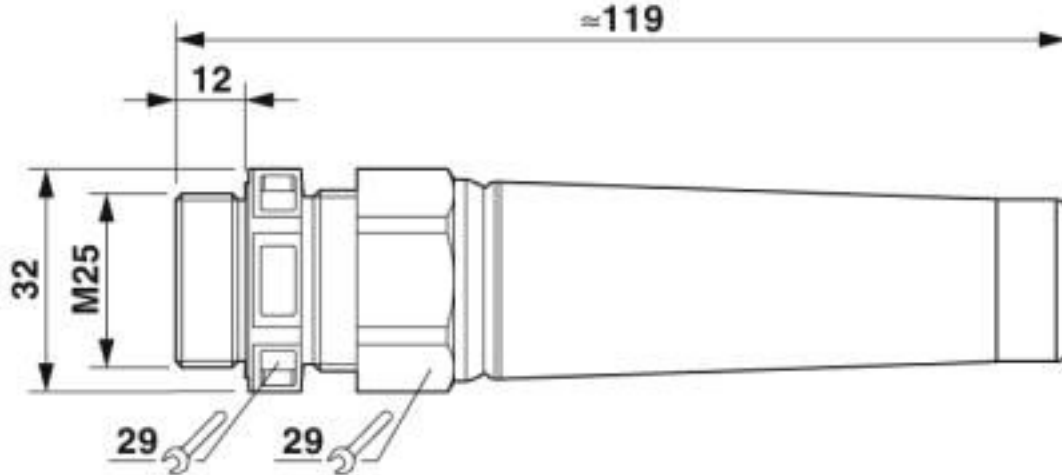
### Environmental Product Compliance

China RoHS	Environmentally friendly use period: unlimited = EFUP-e
	No hazardous substances above threshold values

## Drawings

# Cable gland - G-INB-M25-M68N-PEPDS-BK - 1415180

Dimensional drawing



## Classifications

eCl@ss

eCl@ss 10.0.1	27144432
eCl@ss 4.0	27141200
eCl@ss 4.1	27141200
eCl@ss 5.0	27149100
eCl@ss 5.1	27149100
eCl@ss 6.0	27149100
eCl@ss 7.0	27149109
eCl@ss 8.0	27149109
eCl@ss 9.0	27144432

ETIM

ETIM 5.0	EC000441
ETIM 6.0	EC000441
ETIM 7.0	EC000441

UNSPSC

UNSPSC 13.2	39121311
UNSPSC 18.0	39121311
UNSPSC 19.0	39121311
UNSPSC 20.0	39121311
UNSPSC 21.0	39121311

# Cable gland - G-INB-M25-M68N-PEPDS-BK - 1415180

## Approvals

### Approvals

---

#### Approvals

UL Recognized / cUL Recognized / GOST-R / cULus Recognized

---

#### Ex Approvals

---

### Approval details

UL Recognized		<a href="http://database.ul.com/cgi-bin/XYV/template/LISEXT/1FRAME/index.htm">http://database.ul.com/cgi-bin/XYV/template/LISEXT/1FRAME/index.htm</a>	E179850
---------------	--	---	---------

cUL Recognized		<a href="http://database.ul.com/cgi-bin/XYV/template/LISEXT/1FRAME/index.htm">http://database.ul.com/cgi-bin/XYV/template/LISEXT/1FRAME/index.htm</a>	E179850
----------------	--	---	---------

GOST-R			POCC DE.A*98.H12052
--------	--	--	------------------------

cULus Recognized			
------------------	--	--	--

## Accessories

### Accessories

#### Flat nut

Counter nut - A-INL-M25-P-BK - 1411216



Counter nut, material: PA, for threads M25 x 1.5, color: jet black RAL 9005

