

## Cable gland - G-INB-M12-S68N-PEPDS-LG - 1415171

Please be informed that the data shown in this PDF Document is generated from our Online Catalog. Please find the complete data in the user's documentation. Our General Terms of Use for Downloads are valid (<http://phoenixcontact.com/download>)



Cable gland, cable gland material: PA, external cable diameter 3 mm ... 7 mm, shielding: no, connecting thread: M12 x 1.5, color: lightgrey RAL 7035, with bend protection sleeve

### Your advantages

- Glow-wire test: 750°C
- Weatherproof sealing material
- Halogen-free

### Key Commercial Data

|                                      |                                                                                                         |
|--------------------------------------|---------------------------------------------------------------------------------------------------------|
| Packing unit                         | 1 pc                                                                                                    |
| Minimum order quantity               | 10 pc                                                                                                   |
| GTIN                                 | <br>4 055626 038032 |
| GTIN                                 | 4055626038032                                                                                           |
| Weight per Piece (excluding packing) | 10.000 g                                                                                                |
| Custom tariff number                 | 39269097                                                                                                |
| Country of origin                    | Germany                                                                                                 |

### Technical data

#### Dimensions

|                                 |                     |
|---------------------------------|---------------------|
| Length                          | 72 mm               |
| Wrench size, union nut          | 16 mm               |
| Wrench size, support            | 16 mm               |
| Hexagon angular dimension       | 18 mm               |
| Length of the connecting thread | 9 mm                |
| Feed-through hole diameter      | 12.1 mm ... 12.2 mm |

# Cable gland - G-INB-M12-S68N-PEPDS-LG - 1415171

## Technical data

### Dimensions

|                         |                                |
|-------------------------|--------------------------------|
| External cable diameter | 3 mm ... 7 mm                  |
|                         | 4.1 mm ... 6 mm (for UL 514 B) |

### Ambient conditions

|                                 |                                 |
|---------------------------------|---------------------------------|
| Degree of protection (IP)       | IP68 (5 bar / 0.5 h)            |
|                                 | IP69 (DIN EN 60529 / IEC 60529) |
| Ambient temperature (operation) | -40 °C ... 100 °C (static)      |

### General

|                                                                |                                 |
|----------------------------------------------------------------|---------------------------------|
| Type                                                           | with bend protection sleeve     |
| No. of conductors                                              | 1                               |
| Cable gland material                                           | PA                              |
| Sealing material                                               | EPDM (Cable seal, halogen-free) |
| Glow wire ignition temperature GWIT according to EN 60695-2-13 | 750.00                          |
| Shielded                                                       | no                              |
| Thread type on connection side                                 | M12 x 1.5                       |
| Torque                                                         | 2 Nm (Union nut: EN 62444)      |
|                                                                | 2 Nm (Support: EN 62444)        |
| Color                                                          | lightgrey RAL 7035              |
| Impact category                                                | 2                               |
| Execution of the strain relief                                 | A                               |
| Manufacturer                                                   | WISKA                           |
| Manufacturer Designation                                       | ESKVS 12                        |

### Standards and Regulations

|              |     |
|--------------|-----|
| Halogen-free | yes |
|--------------|-----|

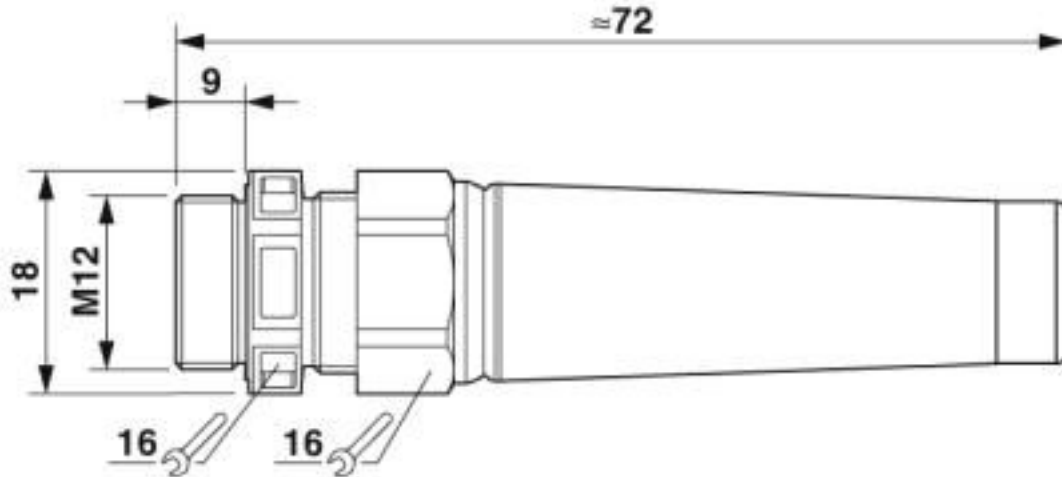
### Environmental Product Compliance

|            |                                                         |
|------------|---------------------------------------------------------|
| China RoHS | Environmentally friendly use period: unlimited = EFUP-e |
|            | No hazardous substances above threshold values          |

## Drawings

# Cable gland - G-INB-M12-S68N-PEPDS-LG - 1415171

Dimensional drawing



## Classifications

eCl@ss

|               |          |
|---------------|----------|
| eCl@ss 10.0.1 | 27144432 |
| eCl@ss 4.0    | 27141200 |
| eCl@ss 4.1    | 27141200 |
| eCl@ss 5.0    | 27149100 |
| eCl@ss 5.1    | 27149100 |
| eCl@ss 6.0    | 27149100 |
| eCl@ss 7.0    | 27149109 |
| eCl@ss 8.0    | 27149109 |
| eCl@ss 9.0    | 27144432 |

ETIM

|          |          |
|----------|----------|
| ETIM 5.0 | EC000441 |
| ETIM 6.0 | EC000441 |
| ETIM 7.0 | EC000441 |

UNSPSC

|             |          |
|-------------|----------|
| UNSPSC 13.2 | 39121311 |
| UNSPSC 18.0 | 39121311 |
| UNSPSC 19.0 | 39121311 |
| UNSPSC 20.0 | 39121311 |
| UNSPSC 21.0 | 39121311 |

# Cable gland - G-INB-M12-S68N-PEPDS-LG - 1415171

## Approvals

### Approvals

---

#### Approvals

UL Recognized / cUL Recognized / GOST-R / cULus Recognized

---

#### Ex Approvals

---

### Approval details

|                  |  |                                                                                                                                                       |                        |
|------------------|--|-------------------------------------------------------------------------------------------------------------------------------------------------------|------------------------|
| UL Recognized    |  | <a href="http://database.ul.com/cgi-bin/XYV/template/LISEXT/1FRAME/index.htm">http://database.ul.com/cgi-bin/XYV/template/LISEXT/1FRAME/index.htm</a> | E179850                |
| cUL Recognized   |  | <a href="http://database.ul.com/cgi-bin/XYV/template/LISEXT/1FRAME/index.htm">http://database.ul.com/cgi-bin/XYV/template/LISEXT/1FRAME/index.htm</a> | E179850                |
| GOST-R           |  |                                                                                                                                                       | POCC<br>DE.A*98.H12052 |
| cULus Recognized |  |                                                                                                                                                       |                        |

## Accessories

### Accessories

#### Flat nut

Counter nut - A-INL-M12-P-GY - 1411205



Counter nut, material: PA, for threads M12 x 1.5, color: silver-gray RAL 7001

