

Cable gland - G-ESIS-M32-M68L-PEPDS-BL - 1415119

Please be informed that the data shown in this PDF Document is generated from our Online Catalog. Please find the complete data in the user's documentation. Our General Terms of Use for Downloads are valid (<http://phoenixcontact.com/download>)



Cable gland, cable gland material: PA, application: Ex, external cable diameter 13 mm ... 21 mm, shielding: no, connecting thread: M32 x 1.5, color: black/blue, with flat gasket

Product Description

Cable gland, with flat gasket


Your advantages

- Glow-wire test: 750°C
- Weatherproof sealing material
- Halogen-free

RoHS



Key Commercial Data

| | |
|------------------------|---|
| Packing unit | 1 pc |
| Minimum order quantity | 5 pc |
| GTIN |  4 055626 037806 |
| GTIN | 4055626037806 |
| Custom tariff number | 39269097 |
| Country of origin | Germany |

Technical data

Dimensions

| | |
|---------------------------|--------|
| Length | 45 mm |
| Thread pitch | 1.5 mm |
| Wrench size, union nut | 36 mm |
| Wrench size, support | 36 mm |
| Hexagon angular dimension | 41 mm |

Cable gland - G-ESIS-M32-M68L-PEPDS-BL - 1415119

Technical data

Dimensions

| | |
|---------------------------------|----------------------|
| Length of the connecting thread | 15 mm |
| External cable diameter | 13 mm ... 21 mm |
| Cable types that can be used | for unarmored cables |
| Hole diameter | 32.1 mm ... 32.3 mm |

Ambient conditions

| | |
|---------------------------------|---------------------------|
| Degree of protection (IP) | IP66 |
| | IP68 (5 bar / 0.5 h) |
| Ambient temperature (operation) | -40 °C ... 75 °C (static) |

General

| | |
|--|-------------------------------------|
| Material | PA (Screw connection, halogen-free) |
| Cable gland material | PA |
| Sealing material | EPDM (Cable seal, halogen-free) |
| Glow wire ignition temperature GWIT according to EN 60695-2-13 | 750.00 |
| Thread type connection side | M32 x 1.5 |
| Torque | 4.5 Nm (Support sleeve) |
| Tightening torque, union nut | 3.00 Nm |
| Color | black/blue |
| Impact energy | 7.00 J (at -40 °C ... +75 °C) |
| Manufacturer | WISKA |
| Manufacturer Designation | ESKE/1-L-i 32 |
| Suited for EX-applications | yes |

Standards and Regulations

| | |
|--------------|--|
| Halogen-free | yes |
| ATEX | II 2 G Ex e IIC Gb, II 2 D Ex tb IIIC Db |
| IECEX | Ex e IIC Gb, Ex tb IIIC Db |

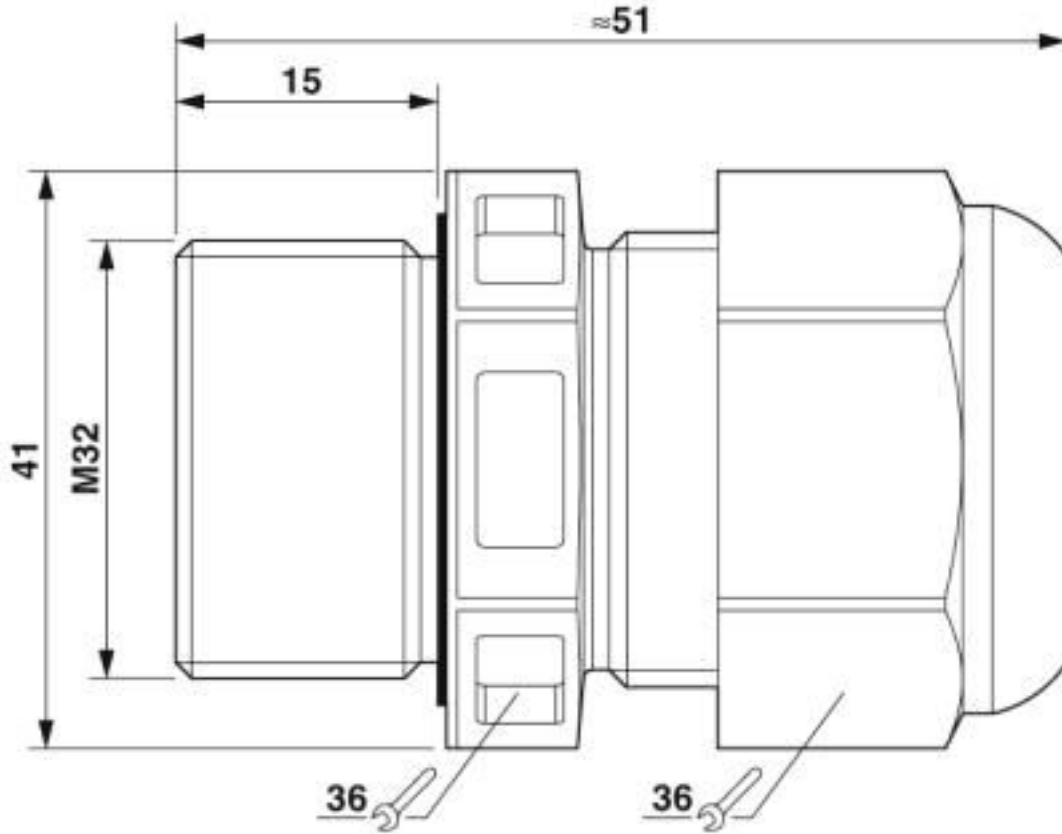
Environmental Product Compliance

| | |
|------------|---|
| China RoHS | Environmentally friendly use period: unlimited = EFUP-e |
| | No hazardous substances above threshold values |

Drawings

Cable gland - G-ESIS-M32-M68L-PEPDS-BL - 1415119

Dimensional drawing



Dimensional drawing

Classifications

eCl@ss

| | |
|---------------|----------|
| eCl@ss 10.0.1 | 27144432 |
| eCl@ss 4.0 | 27141200 |
| eCl@ss 4.1 | 27141200 |
| eCl@ss 5.0 | 27149100 |
| eCl@ss 5.1 | 27149100 |
| eCl@ss 6.0 | 27149100 |
| eCl@ss 7.0 | 27149109 |
| eCl@ss 8.0 | 27149109 |
| eCl@ss 9.0 | 27144432 |

Cable gland - G-ESIS-M32-M68L-PEPDS-BL - 1415119

Classifications

ETIM

| | |
|----------|----------|
| ETIM 5.0 | EC000441 |
| ETIM 6.0 | EC000441 |
| ETIM 7.0 | EC000441 |

UNSPSC

| | |
|-------------|----------|
| UNSPSC 13.2 | 39121311 |
| UNSPSC 18.0 | 39121311 |
| UNSPSC 19.0 | 39121311 |
| UNSPSC 20.0 | 39121311 |
| UNSPSC 21.0 | 39121311 |

Accessories

Accessories

Flat nut

Counter nut - A-INL-M32-P-BK - 1411217



Counter nut, material: PA, for threads M32 x 1.5, color: jet black RAL 9005