

## Cable gland - G-ESIS-M20-S68L-PEPDS-BL - 1415117

Please be informed that the data shown in this PDF Document is generated from our Online Catalog. Please find the complete data in the user's documentation. Our General Terms of Use for Downloads are valid (<http://phoenixcontact.com/download>)



Cable gland, cable gland material: PA, application: Ex, external cable diameter 7 mm ... 13 mm, shielding: no, connecting thread: M20 x 1.5, color: black/blue, with flat gasket

### Product Description

Cable gland, with flat gasket


### Your advantages

- Glow-wire test: 750°C
- Weatherproof sealing material
- Halogen-free

RoHS



### Key Commercial Data

Packing unit	1 pc
Minimum order quantity	10 pc
GTIN	 4 055626 037783
GTIN	4055626037783
Weight per Piece (excluding packing)	16.000 g
Custom tariff number	39269097
Country of origin	Germany

### Technical data

#### Dimensions

Length	41 mm
Thread pitch	1.5 mm
Wrench size, union nut	24 mm
Wrench size, support	24 mm

# Cable gland - G-ESIS-M20-S68L-PEPDS-BL - 1415117

## Technical data

### Dimensions

Hexagon angular dimension	28 mm
Length of the connecting thread	15 mm
External cable diameter	7 mm ... 13 mm
Cable types that can be used	for unarmored cables
Hole diameter	20.1 mm ... 20.3 mm

### Ambient conditions

Degree of protection (IP)	IP66
	IP68 (5 bar / 0.5 h)
Ambient temperature (operation)	-40 °C ... 75 °C (static)

### General

Material	PA (Screw connection, halogen-free)
Cable gland material	PA
Sealing material	EPDM (Cable seal, halogen-free)
Glow wire ignition temperature GWIT according to EN 60695-2-13	750.00
Thread type connection side	M20 x 1.5
Torque	2.3 Nm (Support sleeve)
Tightening torque, union nut	1.50 Nm
Color	black/blue
Impact energy	4.00 J (at -40 °C ... +75 °C)
Manufacturer	WISKA
Manufacturer Designation	ESKE/1-L-i 20
Suited for EX-applications	yes

### Standards and Regulations

Halogen-free	yes
ATEX	II 2 G Ex e IIC Gb, II 2 D Ex tb IIIC Db
IECEX	Ex e IIC Gb, Ex tb IIIC Db

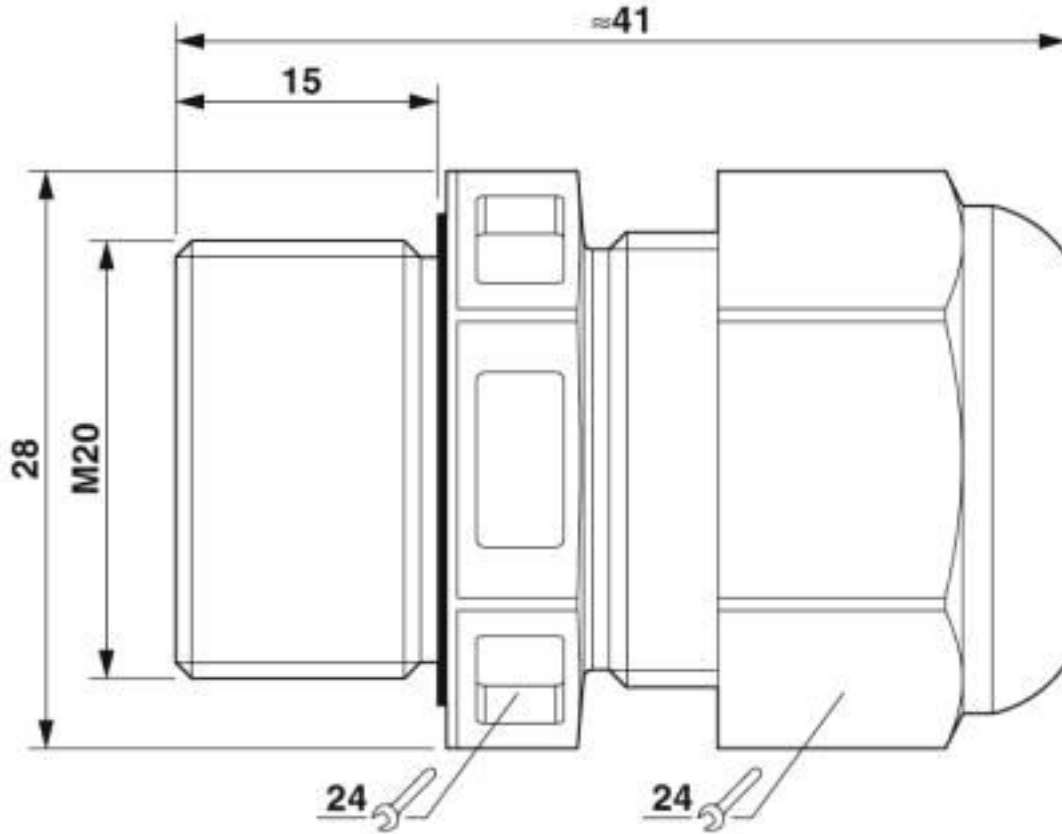
### Environmental Product Compliance

China RoHS	Environmentally friendly use period: unlimited = EFUP-e
	No hazardous substances above threshold values

## Drawings

# Cable gland - G-ESIS-M20-S68L-PEPDS-BL - 1415117

Dimensional drawing



Dimensional drawing

## Classifications

eCl@ss

eCl@ss 10.0.1	27144432
eCl@ss 4.0	27141200
eCl@ss 4.1	27141200
eCl@ss 5.0	27149100
eCl@ss 5.1	27149100
eCl@ss 6.0	27149100
eCl@ss 7.0	27149109
eCl@ss 8.0	27149109
eCl@ss 9.0	27144432

## Cable gland - G-ESIS-M20-S68L-PEPDS-BL - 1415117

### Classifications

#### ETIM

ETIM 5.0	EC000441
ETIM 6.0	EC000441
ETIM 7.0	EC000441

#### UNSPSC

UNSPSC 13.2	39121311
UNSPSC 18.0	39121311
UNSPSC 19.0	39121311
UNSPSC 20.0	39121311
UNSPSC 21.0	39121311

### Accessories

#### Accessories

##### Flat nut

Counter nut - A-INL-M20-P-BK - 1411215



Counter nut, material: PA, for threads M20 x 1.5, color: jet black RAL 9005