


Protective covers - HC-D25-BC-HI-PLBK - 1414674

Please be informed that the data shown in this PDF Document is generated from our Online Catalog. Please find the complete data in the user's documentation. Our General Terms of Use for Downloads are valid (<http://phoenixcontact.com/download>)

Protective cover D25, for single locking latch, protective cover material: PA, height: 15.2 mm, seal: no



Key Commercial Data

Packing unit	1
GTIN	 4 055626 031255
GTIN	4055626031255
Custom tariff number	39269097

Technical data

Dimensions

Length	80.1 mm
Width	30.1 mm
Height	15.2 mm

Ambient conditions

Degree of protection (IP)	IP66
Ambient temperature (operation)	-20 °C ... 100 °C

General

Size	D25
Type	For supporting base element with single locking latch
Material	PA
Flammability rating according to UL 94	V2
Color	black

Protective covers - HC-D25-BC-HI-PLBK - 1414674

Technical data

General

Seal present	no
--------------	----

Standards and Regulations

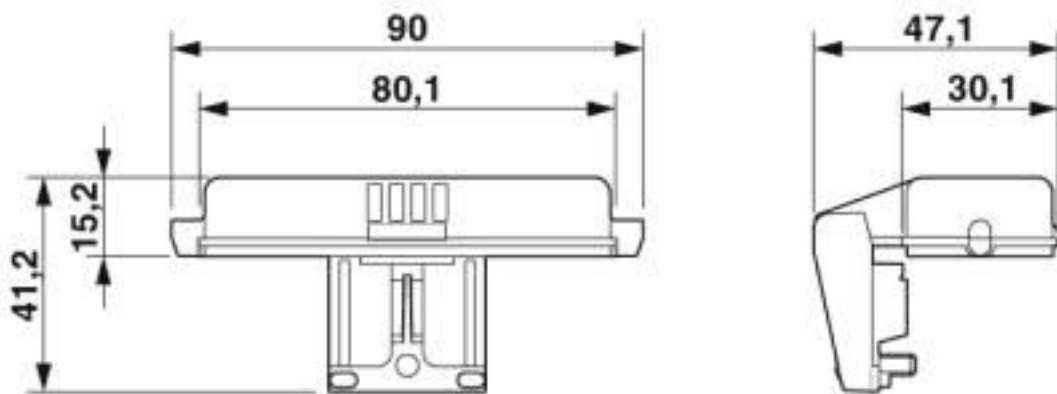
Flammability rating according to UL 94	V2
--	----

Environmental Product Compliance

China RoHS	Environmentally friendly use period: unlimited = EFUP-e
	No hazardous substances above threshold values

Drawings

Dimensional drawing



Dimensional drawing

Classifications

eCl@ss

eCl@ss 10.0.1	27440208
eCl@ss 4.0	23110100
eCl@ss 4.1	23110100
eCl@ss 5.0	23110100
eCl@ss 5.1	23110100
eCl@ss 6.0	27261200
eCl@ss 7.0	27440208
eCl@ss 8.0	27440208
eCl@ss 9.0	27440208

Protective covers - HC-D25-BC-HI-PLBK - 1414674

Classifications

ETIM

ETIM 5.0	EC002314
ETIM 6.0	EC002314
ETIM 7.0	EC002314

UNSPSC

UNSPSC 13.2	39121421
UNSPSC 18.0	39121421
UNSPSC 19.0	39121421
UNSPSC 20.0	39121421
UNSPSC 21.0	39121421

Approvals


Approvals

Approvals

EAC

Ex Approvals

Approval details

EAC		RU C- DE.AI30.B.01102
-----	---	--------------------------
