

Flat gasket - HC-D15-SG-RBK - 1414669

Please be informed that the data shown in this PDF Document is generated from our Online Catalog. Please find the complete data in the user's documentation. Our General Terms of Use for Downloads are valid (<http://phoenixcontact.com/download>)




Replacement flat gasket, for HEAVYCON EVO panel mounting base HC-EVO-D15.....BK



COMPLETE

Key Commercial Data

| | |
|--------------------------------------|---------------------------------------------------------------------------------------------------------|
| Packing unit | 1 pc |
| GTIN |  4 055626 031200 |
| GTIN | 4055626031200 |
| Weight per Piece (excluding packing) | 4.000 g |
| Custom tariff number | 40169300 |
| Country of origin | Germany |

Technical data

Dimensions

| | |
|--------|---------|
| Length | 82 mm |
| Width | 39.2 mm |
| Height | 2 mm |

Ambient conditions

| | |
|---------------------------------|-------------------|
| Ambient temperature (operation) | -40 °C ... 125 °C |
|---------------------------------|-------------------|

General

| | |
|---------------|-------|
| Size | D15 |
| Material | NBR |
| Seal material | NBR |
| Color | black |

Flat gasket - HC-D15-SG-RBK - 1414669

Technical data

General

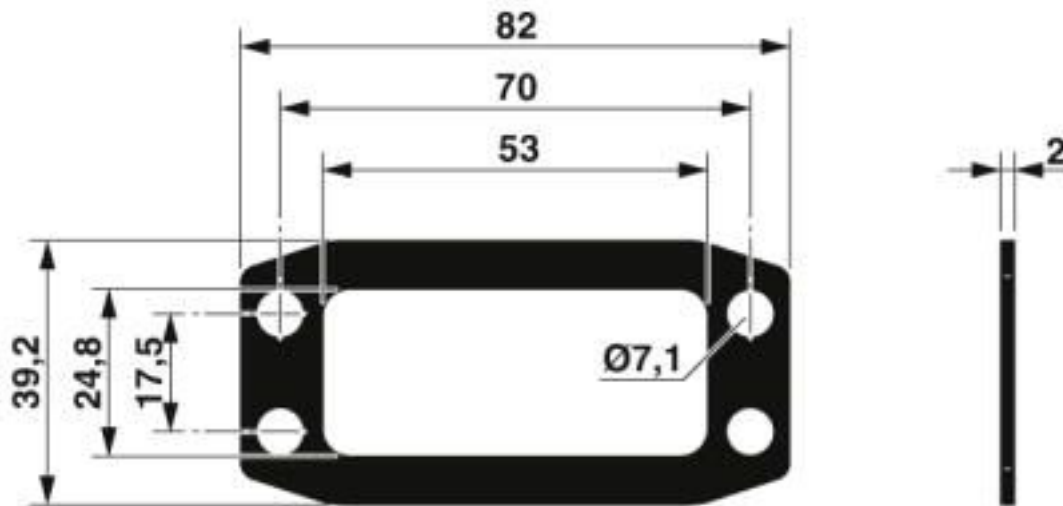
| | |
|-----------------------|-----------------------------|
| Assembly instructions | For HC-EVO-D15...BK housing |
|-----------------------|-----------------------------|

Environmental Product Compliance

| | |
|------------|---------------------------------------------------------|
| China RoHS | Environmentally friendly use period: unlimited = EFUP-e |
| | No hazardous substances above threshold values |

Drawings

Dimensional drawing



Dimensional drawing

Classifications

eCl@ss

| | |
|---------------|----------|
| eCl@ss 10.0.1 | 23071590 |
| eCl@ss 4.0 | 23110100 |
| eCl@ss 4.1 | 23110100 |
| eCl@ss 5.0 | 23110100 |
| eCl@ss 5.1 | 23110100 |
| eCl@ss 6.0 | 23071500 |
| eCl@ss 7.0 | 23071590 |
| eCl@ss 8.0 | 23071590 |
| eCl@ss 9.0 | 23071590 |

Flat gasket - HC-D15-SG-RBK - 1414669

Classifications

ETIM

| | |
|----------|----------|
| ETIM 5.0 | EC001181 |
| ETIM 6.0 | EC001181 |
| ETIM 7.0 | EC001181 |

UNSPSC

| | |
|-------------|----------|
| UNSPSC 13.2 | 31401601 |
| UNSPSC 18.0 | 31401601 |
| UNSPSC 19.0 | 31401601 |
| UNSPSC 20.0 | 31401601 |
| UNSPSC 21.0 | 31401601 |

Approvals

Approvals

Approvals

EAC

Ex Approvals

Approval details

| | | |
|-----|-------------------------------------------------------------------------------------|--------------------------|
| EAC |  | RU C- DE.AI30.B.01102 |
|-----|-------------------------------------------------------------------------------------|--------------------------|
