

Cable gland - HC-B-GTRS-M32-ER-AL - 1414658

Please be informed that the data shown in this PDF Document is generated from our Online Catalog. Please find the complete data in the user's documentation. Our General Terms of Use for Downloads are valid (<http://phoenixcontact.com/download>)




Set consisting of: EVO metal adapter 1414258 and screw connection with terminal block 1415194, M32



COMPLETE

Key Commercial Data

Packing unit	1 pc
GTIN	 4 055626 031095
GTIN	4055626031095
Weight per Piece (excluding packing)	300.000 g
Custom tariff number	85389099
Country of origin	Germany

Technical data

Dimensions

Wrench size, union nut	36 mm
Wrench size, support	36 mm
External cable diameter	13 mm ... 21 mm

Ambient conditions

Degree of protection (IP)	IP66
	IP67
Ambient temperature (operation)	-40 °C ... 100 °C

General

Type of the screw connection	M32
Type	with external strain relief

Cable gland - HC-B-GTRS-M32-ER-AL - 1414658

Technical data

General

No. of conductors	1
Cable gland material	Nickel-plated brass
Material, pressure screw	Nickel-plated brass
Sealing material	EPDM (Screw connection)
Shielded	no
Color	silver

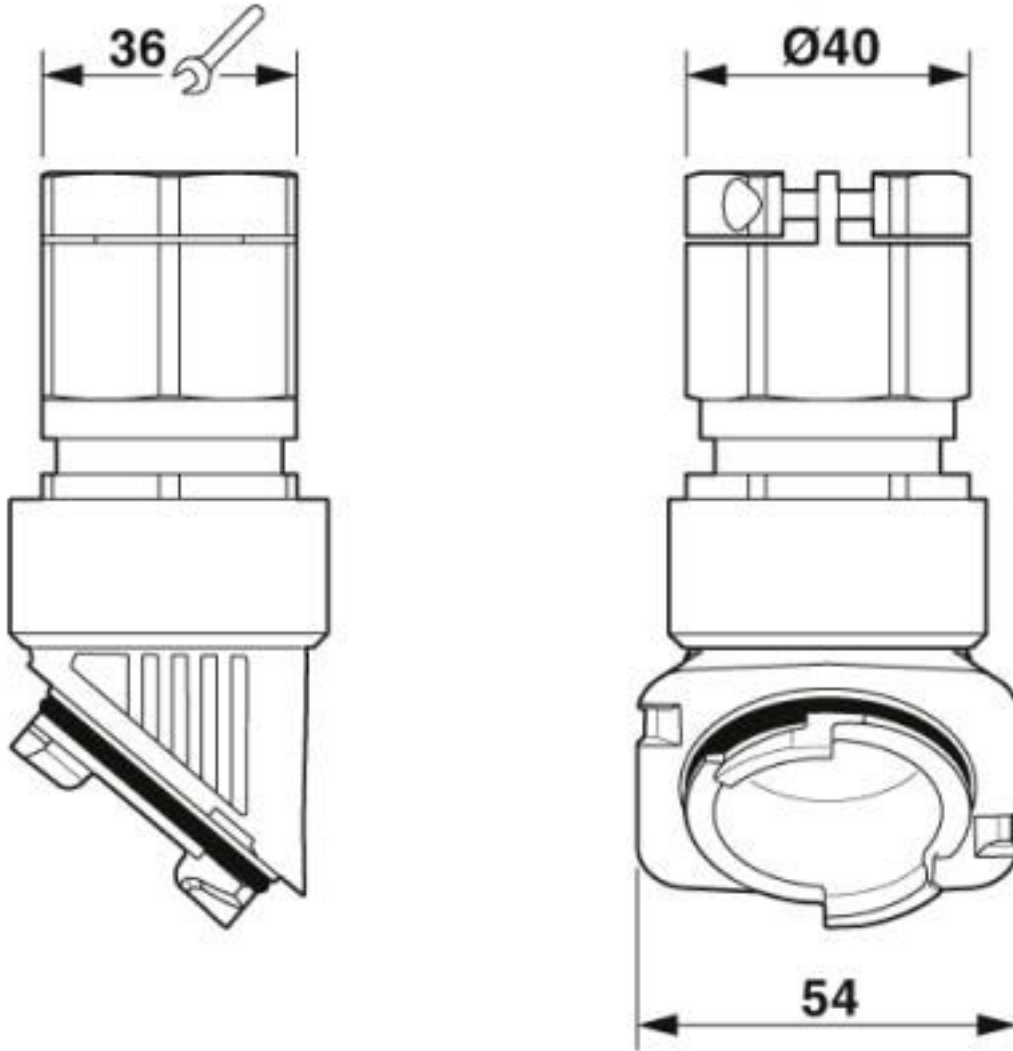
Environmental Product Compliance

REACH SVHC	Lead 7439-92-1
China RoHS	Environmentally Friendly Use Period = 50 years
	For details about hazardous substances go to tab "Downloads", Category "Manufacturer's declaration"

Drawings

Cable gland - HC-B-GTRS-M32-ER-AL - 1414658

Dimensional drawing



Dimensional drawing

Classifications

eCl@ss

eCl@ss 10.0.1	27144432
eCl@ss 4.0	27140800
eCl@ss 4.1	27140800
eCl@ss 5.0	27149100
eCl@ss 5.1	27143400

Cable gland - HC-B-GTRS-M32-ER-AL - 1414658

Classifications

eCl@ss

eCl@ss 6.0	27149100
eCl@ss 7.0	27149109
eCl@ss 8.0	27149109
eCl@ss 9.0	27144432

ETIM

ETIM 5.0	EC000441
ETIM 6.0	EC000441
ETIM 7.0	EC000441

UNSPSC

UNSPSC 13.2	39121311
UNSPSC 18.0	39121311
UNSPSC 19.0	39121311
UNSPSC 20.0	39121311
UNSPSC 21.0	39121311