

## Cable gland - HC-B-GTRS-M25-ER-AL - 1414657

Please be informed that the data shown in this PDF Document is generated from our Online Catalog. Please find the complete data in the user's documentation. Our General Terms of Use for Downloads are valid (<http://phoenixcontact.com/download>)




Set consisting of: EVO metal adapter 141425 and screw connection with terminal block 1415193, M25



COMPLETE

### Key Commercial Data

Packing unit	1 pc
GTIN	 4 055626 031088
GTIN	4055626031088
Weight per Piece (excluding packing)	180.000 g
Custom tariff number	85389099
Country of origin	Germany

### Technical data

#### Dimensions

Wrench size, union nut	29 mm
Wrench size, support	29 mm
External cable diameter	9 mm ... 17 mm

#### Ambient conditions

Degree of protection (IP)	IP66
	IP67
Ambient temperature (operation)	-40 °C ... 100 °C

#### General

Type of the screw connection	M25
Type	with external strain relief

## Cable gland - HC-B-GTRS-M25-ER-AL - 1414657

### Technical data

#### General

No. of conductors	1
Cable gland material	Nickel-plated brass
Material, pressure screw	Nickel-plated brass
Sealing material	EPDM (Screw connection)
Shielded	no
Color	silver

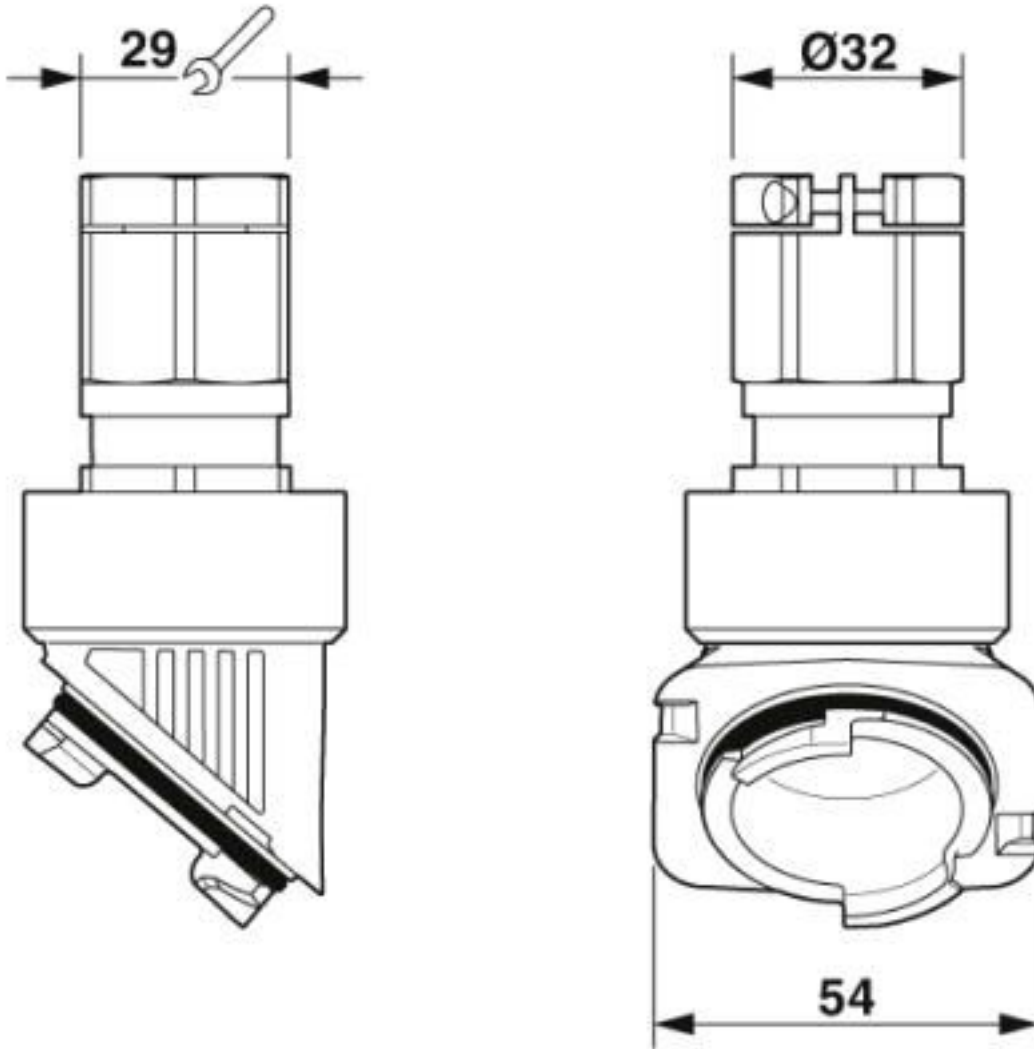
#### Environmental Product Compliance

REACH SVHC	Lead 7439-92-1
China RoHS	Environmentally Friendly Use Period = 50 years
	For details about hazardous substances go to tab "Downloads", Category "Manufacturer's declaration"

### Drawings

# Cable gland - HC-B-GTRS-M25-ER-AL - 1414657

Dimensional drawing



Dimensional drawing

## Classifications

eCl@ss

eCl@ss 10.0.1	27144432
eCl@ss 4.0	27140800
eCl@ss 4.1	27140800
eCl@ss 5.0	27149100
eCl@ss 5.1	27143400

## Cable gland - HC-B-GTRS-M25-ER-AL - 1414657

### Classifications

#### eCl@ss

eCl@ss 6.0	27149100
eCl@ss 7.0	27149109
eCl@ss 8.0	27149109
eCl@ss 9.0	27144432

#### ETIM

ETIM 5.0	EC000441
ETIM 6.0	EC000441
ETIM 7.0	EC000441

#### UNSPSC

UNSPSC 13.2	39121311
UNSPSC 18.0	39121311
UNSPSC 19.0	39121311
UNSPSC 20.0	39121311
UNSPSC 21.0	39121311