

## Cable gland - HC-B-GTRS-M32-PLRBK - 1414654

Please be informed that the data shown in this PDF Document is generated from our Online Catalog. Please find the complete data in the user's documentation. Our General Terms of Use for Downloads are valid (<http://phoenixcontact.com/download>)

Set consisting of: EVO plastic adapter 1414245 and plastic screw connection with terminal block 1415191, M32



### Key Commercial Data

Packing unit	1 pc
GTIN	 4 055626 031057
GTIN	4055626031057
Weight per Piece (excluding packing)	60.000 g
Custom tariff number	39269097
Country of origin	Poland

### Technical data

#### Dimensions

Wrench size, union nut	36 mm
Wrench size, support	36 mm
External cable diameter	13 mm ... 21 mm

#### Ambient conditions

Degree of protection (IP)	IP66
Ambient temperature (operation)	-40 °C ... 100 °C

#### General

Type of the screw connection	M32
Type	with external strain relief
No. of conductors	1

## Cable gland - HC-B-GTRS-M32-PLRBK - 1414654

### Technical data

#### General

Material	PA
Housing material	PA
Cable gland material	PA
Sealing material	EPDM (Screw connection)
Shielded	no
Color	black

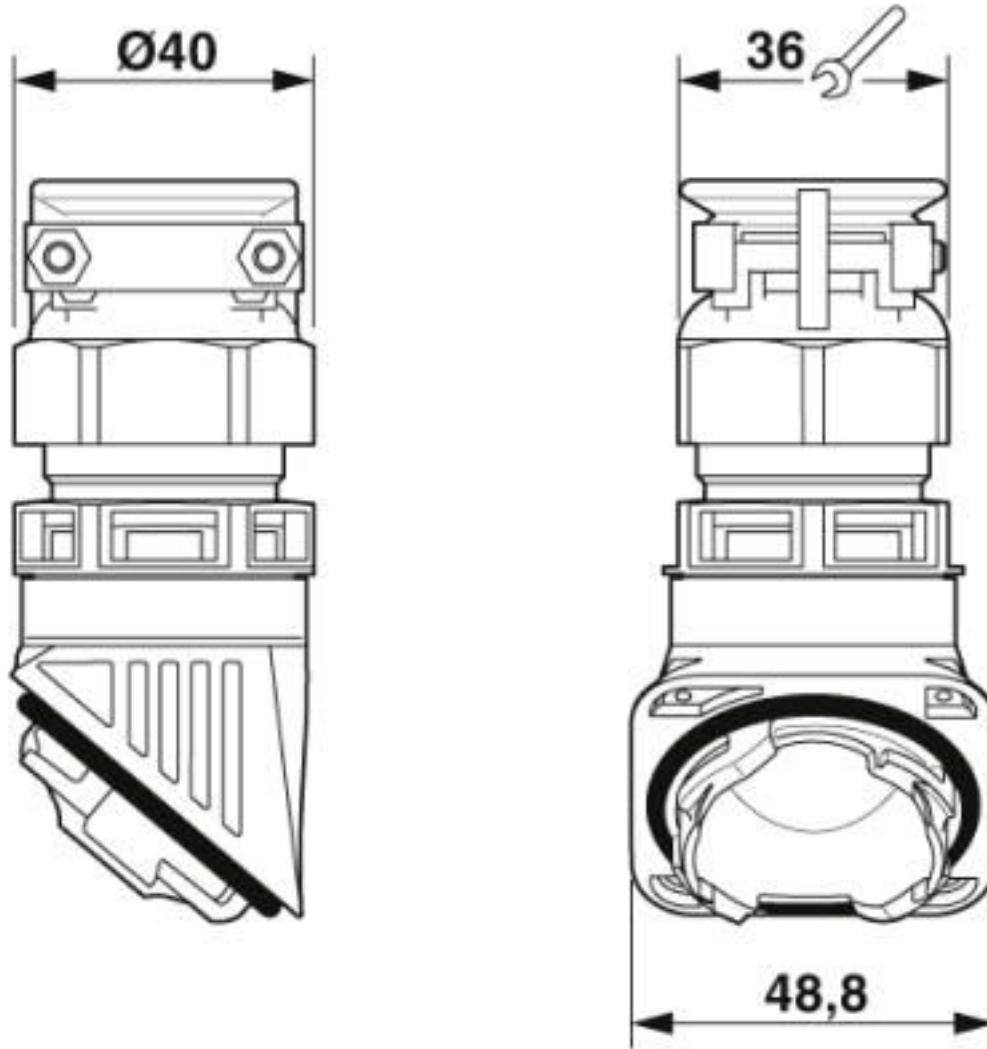
#### Environmental Product Compliance

China RoHS	Environmentally friendly use period: unlimited = EFUP-e
	No hazardous substances above threshold values

### Drawings

# Cable gland - HC-B-GTRS-M32-PLRBK - 1414654

Dimensional drawing



Dimensional drawing

## Classifications

eCl@ss

eCl@ss 10.0.1	27144432
eCl@ss 4.0	27140800
eCl@ss 4.1	27140800
eCl@ss 5.0	27149100
eCl@ss 5.1	27143400

## Cable gland - HC-B-GTRS-M32-PLRBK - 1414654

### Classifications

#### eCl@ss

eCl@ss 6.0	27149100
eCl@ss 7.0	27149109
eCl@ss 8.0	27149109
eCl@ss 9.0	27144432

#### ETIM

ETIM 5.0	EC000441
ETIM 6.0	EC000441
ETIM 7.0	EC000441

#### UNSPSC

UNSPSC 13.2	39121311
UNSPSC 18.0	39121311
UNSPSC 19.0	39121311
UNSPSC 20.0	39121311
UNSPSC 21.0	39121311