

Cable gland - HC-B-GM0-M40-ET-AL - 1414647

Please be informed that the data shown in this PDF Document is generated from our Online Catalog. Please find the complete data in the user's documentation. Our General Terms of Use for Downloads are valid (<http://phoenixcontact.com/download>)




EVO metal cable gland with bayonet locking; size M40, with filler plug



COMPLETE

Key Commercial Data

Packing unit	1 pc
GTIN	 4 055626 030999
GTIN	4055626030999
Weight per Piece (excluding packing)	140.000 g
Custom tariff number	85389099
Country of origin	Germany

Technical data

Dimensions

Ambient conditions

Degree of protection (IP)	IP66
	IP67
Degree of protection (NEMA)	4 (UL 50e)
	4X (UL 50e)
	12 (UL 50e)
Ambient temperature (operation)	-30 °C ... 100 °C

General

Material	Die-cast aluminum, corrosion-resistant
Housing material	Die-cast aluminum, corrosion resistant

Cable gland - HC-B-GM0-M40-ET-AL - 1414647

Technical data

General

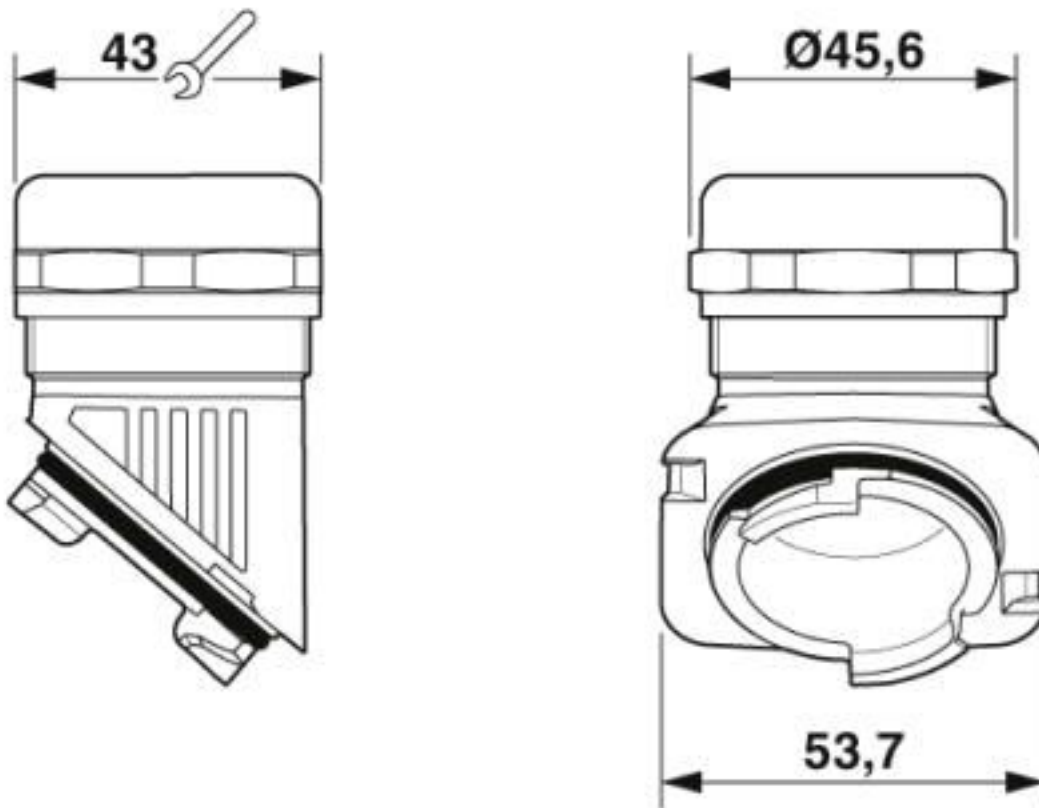
Cable gland material	Aluminum
Material, pressure screw	Brass
Shielded	no
Thread type on seal side	M40
Color	silver

Environmental Product Compliance

REACH SVHC	Lead 7439-92-1
------------	----------------

Drawings

Dimensional drawing



Dimensional drawing

Cable gland - HC-B-GM0-M40-ET-AL - 1414647

Classifications

eCl@ss

eCl@ss 10.0.1	27144432
eCl@ss 4.0	27140800
eCl@ss 4.1	27140800
eCl@ss 5.0	27149100
eCl@ss 5.1	27143400
eCl@ss 6.0	27149100
eCl@ss 7.0	27149109
eCl@ss 8.0	27149109
eCl@ss 9.0	27144432

ETIM

ETIM 5.0	EC000441
ETIM 6.0	EC000441
ETIM 7.0	EC000441

UNSPSC

UNSPSC 13.2	39121311
UNSPSC 18.0	39121311
UNSPSC 19.0	39121311
UNSPSC 20.0	39121311
UNSPSC 21.0	39121311