

Cable gland - HC-B-GM4X10-M40-PLTBK - 1414644

Please be informed that the data shown in this PDF Document is generated from our Online Catalog. Please find the complete data in the user's documentation. Our General Terms of Use for Downloads are valid (<http://phoenixcontact.com/download>)



EVO plastic cable gland with bayonet locking; size M40, for 4 conductors with 10 mm cable diameter



COMPLETE

Key Commercial Data

Packing unit	1 pc
GTIN	 4 055626 030968
GTIN	4055626030968
Weight per Piece (excluding packing)	70.000 g
Custom tariff number	39269097
Country of origin	Poland

Technical data

Dimensions

External cable diameter	10 mm ... 10.1 mm (Cable 1 ... 4)
-------------------------	-----------------------------------

Ambient conditions

Degree of protection (IP)	IP66 (Cable diameter 10 mm +/-0.1 mm)
Ambient temperature (operation)	-30 °C ... 100 °C

General

Type of the screw connection	M40
No. of conductors	4
Material	PA
Cable gland material	PA
Material, pressure screw	PBT

Cable gland - HC-B-GM4X10-M40-PLTBK - 1414644

Technical data

General

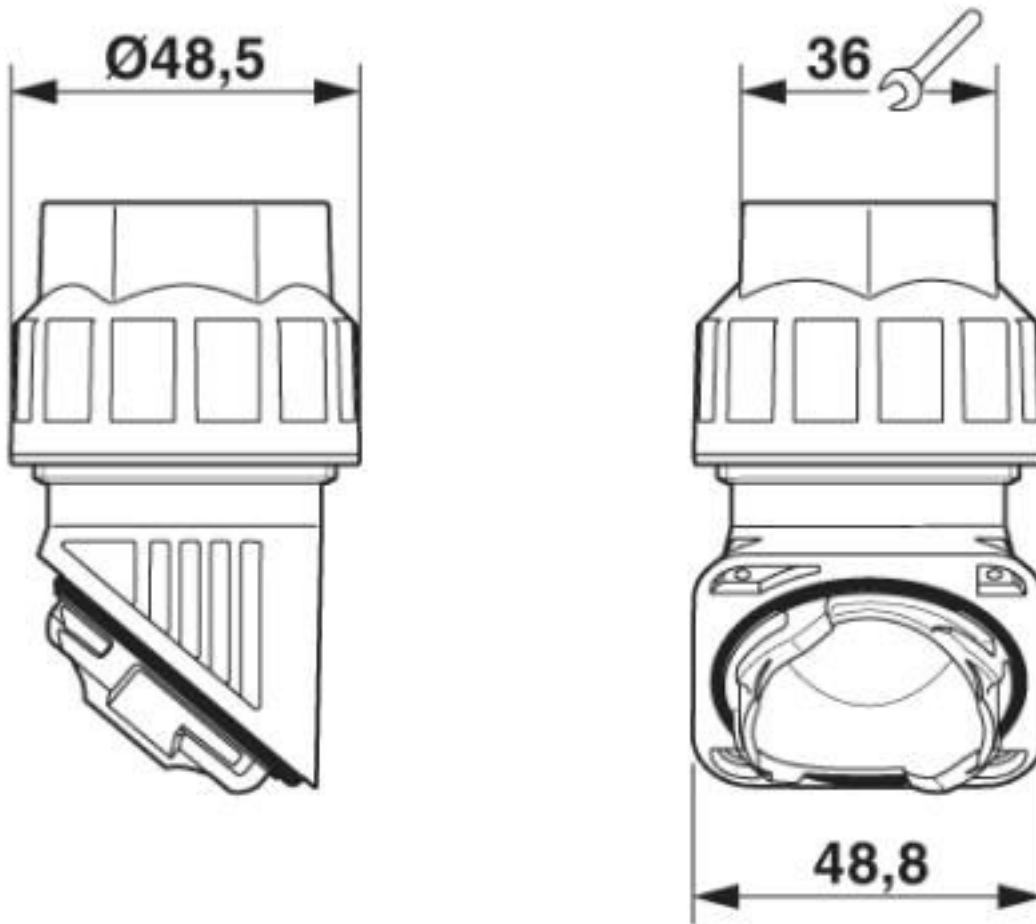
Shielded	no
Color	black

Environmental Product Compliance

China RoHS	Environmentally friendly use period: unlimited = EFUP-e
	No hazardous substances above threshold values

Drawings

Dimensional drawing



Dimensional drawing

Cable gland - HC-B-GM4X10-M40-PLTBK - 1414644

Classifications

eCl@ss

eCl@ss 10.0.1	27144432
eCl@ss 4.0	27140800
eCl@ss 4.1	27140800
eCl@ss 5.0	27149100
eCl@ss 5.1	27143400
eCl@ss 6.0	27149100
eCl@ss 7.0	27149109
eCl@ss 8.0	27149109
eCl@ss 9.0	27144432

ETIM

ETIM 5.0	EC000441
ETIM 6.0	EC000441
ETIM 7.0	EC000441

UNSPSC

UNSPSC 13.2	39121311
UNSPSC 18.0	39121311
UNSPSC 19.0	39121311
UNSPSC 20.0	39121311
UNSPSC 21.0	39121311

Accessories

Accessories

Sealing plugs

Closing cap - SEALING PLUG 10X16 RD - 1400284



Closing cap, material: PA, for threads pluggable, color: red