

## Cable gland - HC-B-GM0-M40-PLTBK - 1414643

Please be informed that the data shown in this PDF Document is generated from our Online Catalog. Please find the complete data in the user's documentation. Our General Terms of Use for Downloads are valid (<http://phoenixcontact.com/download>)



EVO plastic cable gland with bayonet locking; size M40, with filler plug



COMPLETE

### Key Commercial Data

Packing unit	1 pc
GTIN	 4 055626 030951
GTIN	4055626030951
Weight per Piece (excluding packing)	80.000 g
Custom tariff number	39269097
Country of origin	Poland

### Technical data

#### Dimensions

#### Ambient conditions

Degree of protection (IP)	IP66
Ambient temperature (operation)	-30 °C ... 100 °C

#### General

Material	PA
Cable gland material	PA
Material, pressure screw	PBT
Seal material	TPE
Sealing material	NBR (O-ring)
Shielded	no

# Cable gland - HC-B-GM0-M40-PLTBK - 1414643

## Technical data

### General

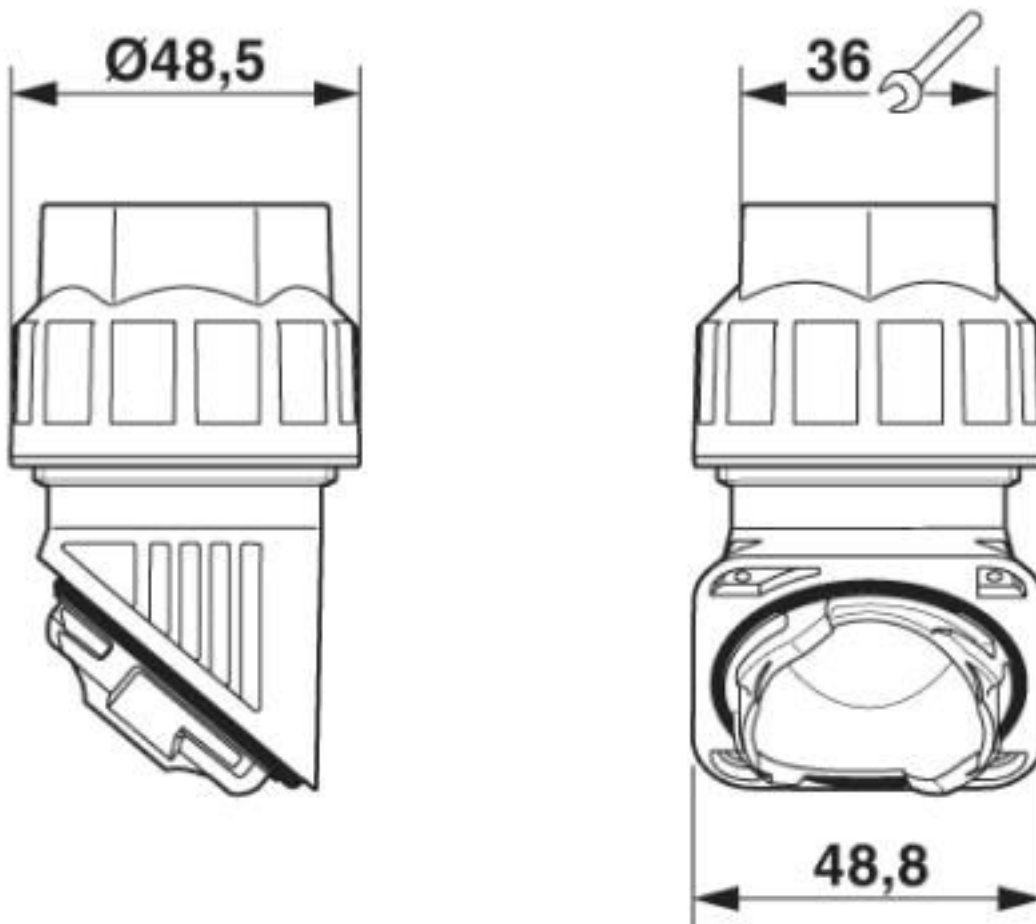
Thread type on seal side	M40
Color	black

### Environmental Product Compliance

China RoHS	Environmentally friendly use period: unlimited = EFUP-e
	No hazardous substances above threshold values

## Drawings

Dimensional drawing



Dimensional drawing

## Cable gland - HC-B-GM0-M40-PLTBK - 1414643

### Classifications

#### eCl@ss

eCl@ss 10.0.1	27144432
eCl@ss 4.0	27140800
eCl@ss 4.1	27140800
eCl@ss 5.0	27149100
eCl@ss 5.1	27143400
eCl@ss 6.0	27149100
eCl@ss 7.0	27149109
eCl@ss 8.0	27149109
eCl@ss 9.0	27144432

#### ETIM

ETIM 5.0	EC000441
ETIM 6.0	EC000441
ETIM 7.0	EC000441

#### UNSPSC

UNSPSC 13.2	39121311
UNSPSC 18.0	39121311
UNSPSC 19.0	39121311
UNSPSC 20.0	39121311
UNSPSC 21.0	39121311