

## Counter nut - A-INL-M20-P-LG - 1414570


Please be informed that the data shown in this PDF Document is generated from our Online Catalog. Please find the complete data in the user's documentation. Our General Terms of Use for Downloads are valid (<http://phoenixcontact.com/download>)

Counter nut, material: PA 6 GF 30, for threads M20 x 1.5, color: lightgrey RAL 7035



RoHS

### Key Commercial Data

Packing unit	1 pc
Minimum order quantity	5 pc
GTIN	 4 055626 029214
GTIN	4055626029214
Weight per Piece (excluding packing)	40.000 g
Custom tariff number	39269097
Country of origin	Turkey

### Technical data

#### Dimensions

Length	6 mm
Connecting thread diameter	20 mm
Wrench size, counter nut	26 mm
Hexagon angular dimension	28.6 mm

#### Ambient conditions

Ambient temperature (operation)	-40 °C ... 100 °C
---------------------------------	-------------------

#### General

Material	PA 6 GF 30
Thread type on connection side	M20 x 1.5

# Counter nut - A-INL-M20-P-LG - 1414570

## Technical data

### General

Color	lightgrey RAL 7035
-------	--------------------

### Standards and Regulations

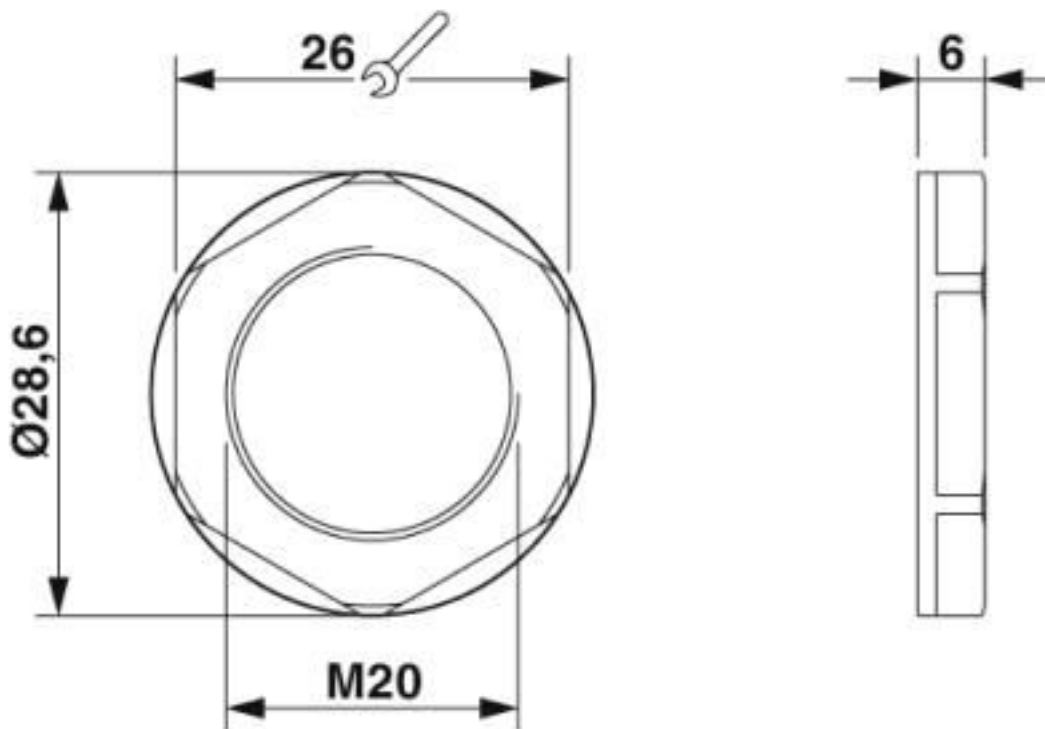
Halogen-free	yes
--------------	-----

### Environmental Product Compliance

China RoHS	Environmentally friendly use period: unlimited = EFUP-e
	No hazardous substances above threshold values

## Drawings

Dimensional drawing



## Classifications

eCl@ss

eCl@ss 10.0.1	27144424
eCl@ss 4.0	23110700
eCl@ss 4.1	23110700

## Counter nut - A-INL-M20-P-LG - 1414570

### Classifications

#### eCl@ss

eCl@ss 5.0	23110700
eCl@ss 5.1	23110700
eCl@ss 6.0	23110700
eCl@ss 7.0	23110701
eCl@ss 8.0	27069219
eCl@ss 9.0	27144424

#### ETIM

ETIM 5.0	EC000129
ETIM 6.0	EC000940
ETIM 7.0	EC000940

#### UNSPSC

UNSPSC 13.2	31161727
UNSPSC 18.0	31161716
UNSPSC 19.0	31161716
UNSPSC 20.0	31161716
UNSPSC 21.0	31161716