

Conductor connectors - SACC-CC-8QO SH PN - 1414413

Please be informed that the data shown in this PDF Document is generated from our Online Catalog. Please find the complete data in the user's documentation. Our General Terms of Use for Downloads are valid (<http://phoenixcontact.com/download>)




Cable connector, PROFINET CAT6_A (10 Gbps), 8-pos., halogen-free, shielded, insulation displacement connection, housing material: zinc die-cast, nickel-plated, outer cable diameter of 5 mm ... 9.7 mm

Your advantages

- ✓ Innovative and time saving - QUICKON fast connection for time saving of up to 80 % for on-site connection
- ✓ Convenient: quick and easy assembly without special tools
- ✓ Insulation displacement connection: innovative and time-saving assembly without stripping the single wire
- ✓ Safe use in the field, thanks to a high degree of protection
- ✓ Reliable signal transmission - 360° shielding in environments with electromagnetic interference



Key Commercial Data

| | |
|--------------------------------------|---|
| Packing unit | 1 pc |
| GTIN |  4 055626 026701 |
| GTIN | 4055626026701 |
| Weight per Piece (excluding packing) | 63.400 g |
| Custom tariff number | 85366990 |
| Country of origin | Germany |

Technical data

Dimensions

| | |
|--------------------------------|-----------------|
| Wrench size, union nut | 15 mm |
| External diameter | 5 mm ... 9.7 mm |
| Stripping length of the sheath | ≥ 80 mm |

Ambient conditions

Conductor connectors - SACC-CC-8QO SH PN - 1414413

Technical data

Ambient conditions

| | |
|---------------------------------|------------------|
| Ambient temperature (operation) | -40 °C ... 85 °C |
| Ambient temperature (assembly) | -5 °C ... 50 °C |
| Degree of protection | IP65 |
| | IP67 |

General

| | |
|---|---|
| Note | NOTE: Observe the permissible bending radii when laying conductors, since the degree of protection may be put in jeopardy if the bending forces are too high. Alleviate mechanical loads upstream of the connector, e.g. by using cable ties. |
| Rated current at 40°C | 0.5 A (30 W) |
| Rated voltage | 50 V AC |
| | 60 V DC |
| Number of positions | 8 |
| Insulation resistance | ≥ 100 MΩ |
| Standards/regulations | Based on IEC 61076-2-109 |
| | Shock, vibration EN 50155:2001 |
| Signal type/category | PROFINET CAT6 _A (IEC 11801), 10 Gbps |
| Status display | No |
| Overvoltage category | III |
| Degree of pollution | 3 |
| Connection method | Insulation displacement connection |
| Conductor cross section | 0.25 mm ² ... 0.5 mm ² |
| Conductor cross section AWG | 24 ... 20 |
| Wire diameter including insulation | 0.75 mm ... 2 mm |
| Frequency of connections between conductors of the same cross section | 10 |
| Wire insulation material | PVC / PE / PP / rubber |
| Structure of individual litz in acc. with VDE 0295 / smallest wire diameter | Class 2-6 |
| Torque | 5 Nm (Pressure nut) |
| Assembly instructions | If the conductor is to be reconnected, it must be cut off above the last contact point. |
| Transmission characteristics (category) | CAT6 _A |

Material

| | |
|--|------------------------------|
| Flammability rating according to UL 94 | V0 |
| Contact material | CuSn |
| Contact surface material | Ni/Au |
| Contact carrier material | PA 6.6 |
| Material of grip body | Zinc die-cast, nickel-plated |
| Material, knurls | Zinc die-cast, nickel-plated |

Conductor connectors - SACC-CC-8QO SH PN - 1414413

Technical data

Material

| | |
|-----------------------|---|
| Sealing material | NBR |
| Standards/regulations | PA 6.6: Fire protection in rail vehicles - requirement sets R22, R23, and R24 acc. to DIN EN 45545-2 (Risk level HL1 - HL3) |

Standards and Regulations

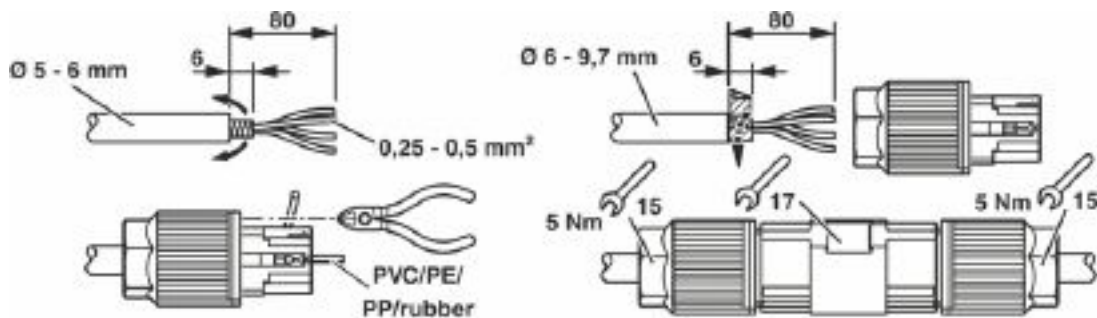
| | |
|--|--------------------------------|
| Standards/specifications | Based on IEC 61076-2-109 |
| | Shock, vibration EN 50155:2001 |
| Flammability rating according to UL 94 | V0 |

Environmental Product Compliance

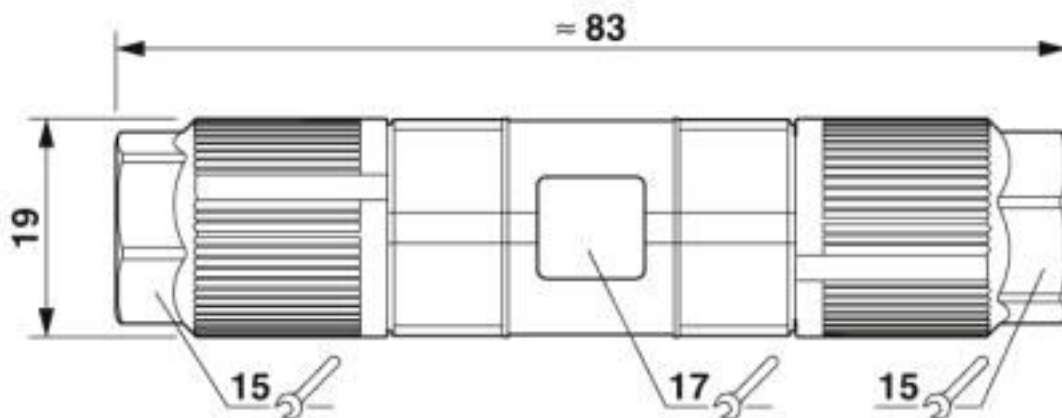
| | |
|------------|---|
| China RoHS | Environmentally friendly use period: unlimited = EFUP-e |
| | No hazardous substances above threshold values |

Drawings

Functional drawing



Dimensional drawing



Conductor connectors - SACC-CC-8QO SH PN - 1414413

Classifications

eCl@ss

| | |
|---------------|----------|
| eCl@ss 10.0.1 | 27440102 |
| eCl@ss 4.0 | 27140800 |
| eCl@ss 4.1 | 27140800 |
| eCl@ss 5.0 | 27143400 |
| eCl@ss 5.1 | 27143400 |
| eCl@ss 6.0 | 27143400 |
| eCl@ss 7.0 | 27440605 |
| eCl@ss 8.0 | 27440605 |
| eCl@ss 9.0 | 27440102 |

ETIM

| | |
|----------|----------|
| ETIM 5.0 | EC002062 |
| ETIM 6.0 | EC002560 |
| ETIM 7.0 | EC002560 |

UNSPSC

| | |
|-------------|----------|
| UNSPSC 13.2 | 39121402 |
| UNSPSC 18.0 | 39121413 |
| UNSPSC 19.0 | 39121413 |
| UNSPSC 20.0 | 39121413 |
| UNSPSC 21.0 | 39121413 |

Approvals

Approvals

Approvals

EAC

Ex Approvals

Approval details

| | | |
|-----|--|--------------------------|
| EAC | | RU C- DE.BL08.B.00511 |
|-----|--|--------------------------|

Conductor connectors - SACC-CC-8QO SH PN - 1414413

Accessories

Accessories

Electronics pliers

Diagonal cutter - MICROFOX-SB - 1212489



Electronic diagonal cutter, round head, without chamfer, with opening spring, mirror-polished and oiled, 2-component grip, cutting capacity: soft 0.2 - 2.0 mm; medium hard 1.2 mm; hard 0.5 mm diameter

Stripping tool

Stripping tool - WIREFOX-D 40 - 1212161



Stripping tool, for stripping cables of 4.5 mm - 40 mm-Ø, insulation thickness of up to 4.5 mm, pivoting blade for round, lengthwise, and spiral cuts

Shielding foil - VS-08-RJ45-FOLIEN-SET - 1417184

Shielding foil set, 25 pieces, replacement for RJ45 and M12 Quickon connector



Stripping tool - VS-CABLE-STRIP-VARIO - 1657407

Stripping tool, for the multi-level stripping of shielded cables

