

## RJ45 connector - CUC-V06-C1PBK-S/R4CEA:1 - 1414410

Please be informed that the data shown in this PDF Document is generated from our Online Catalog. Please find the complete data in the user's documentation. Our General Terms of Use for Downloads are valid (<http://phoenixcontact.com/download>)



RJ45 connector, degree of protection: IP67, number of positions: 8, 10 Gbps, CAT6<sub>A</sub>, material: PA, connection method: Crimp connection, connection cross section: AWG 24- 27, cable outlet: straight, color: black



### Key Commercial Data

Packing unit	1 pc
GTIN	 4 055626 028323
GTIN	4055626028323
Custom tariff number	85366990
Country of origin	Germany

### Technical data

#### Mechanical characteristics

Connection method	Crimp connection
Minimum external conductor diameter	5 mm
Maximum external conductor diameter	8.5 mm
Overvoltage category	I
AWG solid min.	24
AWG solid max.	27
Degree of pollution	2
Cable outlet	straight
No. of cable outlets	1
Conductor cross section	0.1 mm <sup>2</sup> ... 0.2 mm <sup>2</sup> (flexible)
Weight	18.4 g
Flammability rating according to UL 94	V0

# RJ45 connector - CUC-V06-C1PBK-S/R4CEA:1 - 1414410

## Technical data

### Ambient conditions

Ambient temperature (operation)	-25 °C ... 60 °C
---------------------------------	------------------

### Material data

Contact surface material	Gold
Contact material	Phosphor bronze
Contact carrier material	PC
Seal material	TPE
Housing material	PA
Seal material, O-ring	NBR
Seal material	TPE
Width	38.4 mm
Height	53 mm
Length	19.9 mm

### Electrical characteristics

Number of positions	8
Nominal voltage $U_N$	72 V (DC)
Nominal current $I_N$	1.75 A
Transmission characteristics (category)	CAT6 <sub>A</sub>
GRP transmission properties	CAT6 <sub>A</sub> CAT6 <sub>A</sub>
Transmission speed	10 Gbps (500 MHz)
Frequency range	to 500 MHz
Rated current	1 A
Overvoltage category	I
Degree of pollution	2
Rated voltage (III/3)	72 V (DC)

### Standards and Regulations

Flammability rating according to UL 94	V0
--	----

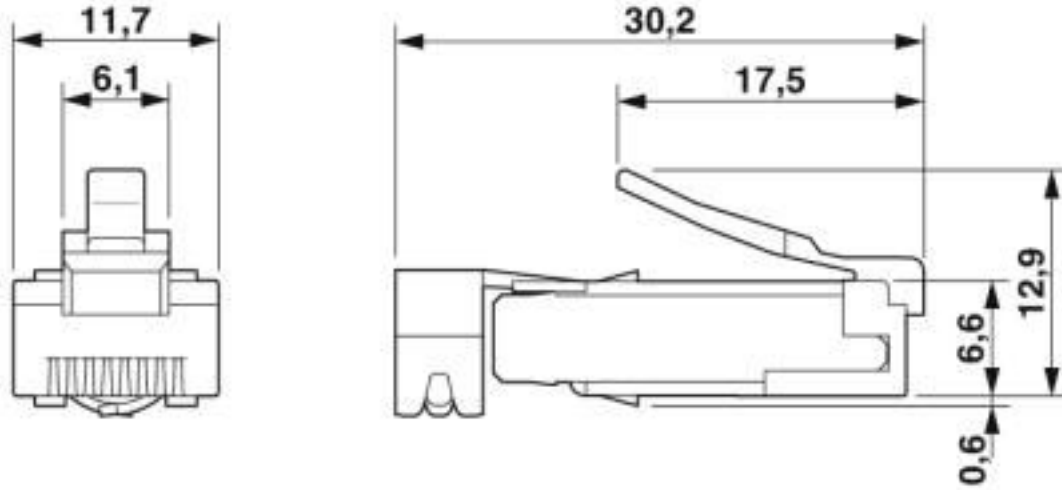
### Environmental Product Compliance

China RoHS	Environmentally friendly use period: unlimited = EFUP-e
	No hazardous substances above threshold values

## Drawings

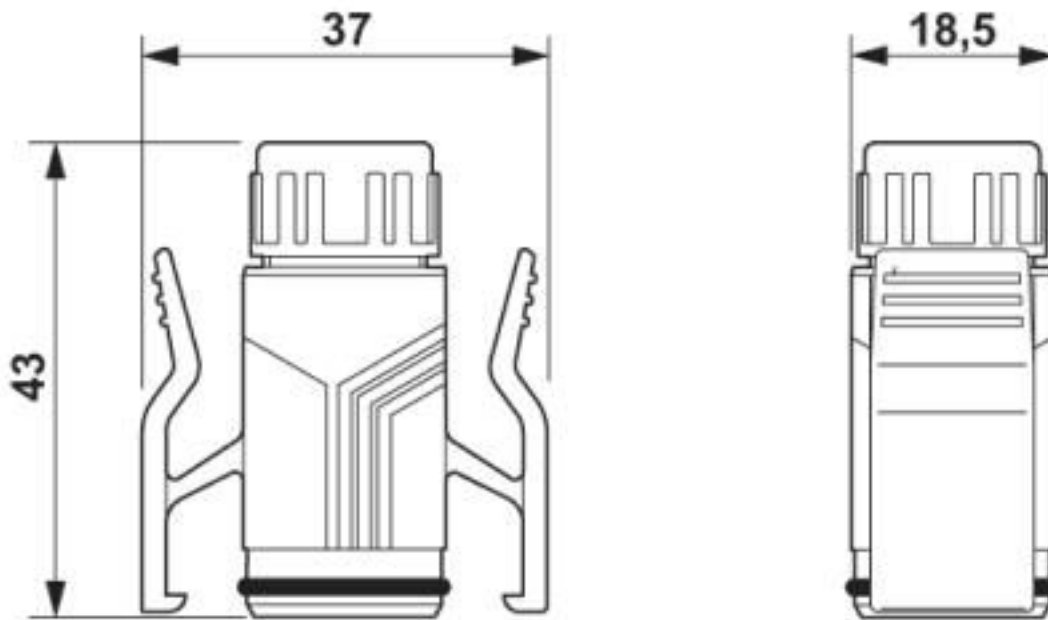
# RJ45 connector - CUC-V06-C1PBK-S/R4CEA:1 - 1414410

Dimensional drawing



Male insert

Dimensional drawing



RJ45 sleeve housing IP67

# RJ45 connector - CUC-V06-C1PBK-S/R4CEA:1 - 1414410

## Classifications

### eCl@ss

eCl@ss 10.0.1	27440101
eCl@ss 4.0	27260700
eCl@ss 4.1	27260700
eCl@ss 5.0	27260700
eCl@ss 5.1	27260700
eCl@ss 6.0	27260700
eCl@ss 7.0	27440101
eCl@ss 8.0	27440101
eCl@ss 9.0	27440101

### ETIM

ETIM 5.0	EC002636
ETIM 6.0	EC002636
ETIM 7.0	EC002636

### UNSPSC

UNSPSC 13.2	39121409
UNSPSC 18.0	39121409
UNSPSC 19.0	39121409
UNSPSC 20.0	39121409
UNSPSC 21.0	39121409

## Approvals

### Approvals

---

Approvals


EAC

---

Ex Approvals

---

### Approval details

EAC		B.01687
-----	---	---------

## RJ45 connector - CUC-V06-C1PBK-S/R4CEA:1 - 1414410

### Accessories

#### Accessories

#### Crimping tool

Crimping pliers - VS-CT-RJ45-H - 1653265



Crimp tool, pliers with die, for RJ45 pin inserts VS-08-ST-H...-RJ45 and VS-08-RJ45-10G/C