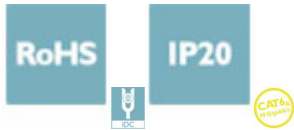


RJ45 connector - CUC-STD-C1PGN-S/R4EA:10 - 1414403


Please be informed that the data shown in this PDF Document is generated from our Online Catalog. Please find the complete data in the user's documentation. Our General Terms of Use for Downloads are valid (<http://phoenixcontact.com/download>)



RJ45 connector, degree of protection: IP20, number of positions: 8, 10 Gbps, CAT6_A, material: PA, connection method: IDC connection technology, connection cross section: AWG 24- 27, cable outlet: straight, color: green



Key Commercial Data

Packing unit	1
GTIN	 4 055626 028255
GTIN	4055626028255
Custom tariff number	85366990

Technical data

Mechanical characteristics

Connection method	IDC connection technology
Maximum external conductor diameter	7 mm
Overvoltage category	I
AWG solid min.	24
AWG solid max.	27
Degree of pollution	2
Cable outlet	straight
No. of cable outlets	1
Conductor cross section	0.1 mm ² ... 0.2 mm ² (flexible)
Weight	4.92 g
Flammability rating according to UL 94	V2

Ambient conditions

Ambient temperature (operation)	-25 °C ... 60 °C
---------------------------------	------------------

RJ45 connector - CUC-STD-C1PGN-S/R4EA:10 - 1414403

Technical data

Material data

Contact surface material	Gold
Contact material	Phosphor bronze
Contact carrier material	PC
Housing material	PA
Width	44.65 mm
Height	17 mm
Length	13.5 mm
Housing material	GD-Zn
Housing surface material 1	Nickel-plated

Electrical characteristics

Number of positions	8
Nominal voltage U_N	72 V (DC)
Transmission characteristics (category)	CAT6 _A
GRP transmission properties	CAT6 _A CAT6 _A
Transmission speed	10 Gbps (500 MHz)
Rated current	1 A
Overvoltage category	I
Degree of pollution	2
Rated voltage (III/3)	72 V (DC)

Standards and Regulations

Flammability rating according to UL 94	V2
--	----

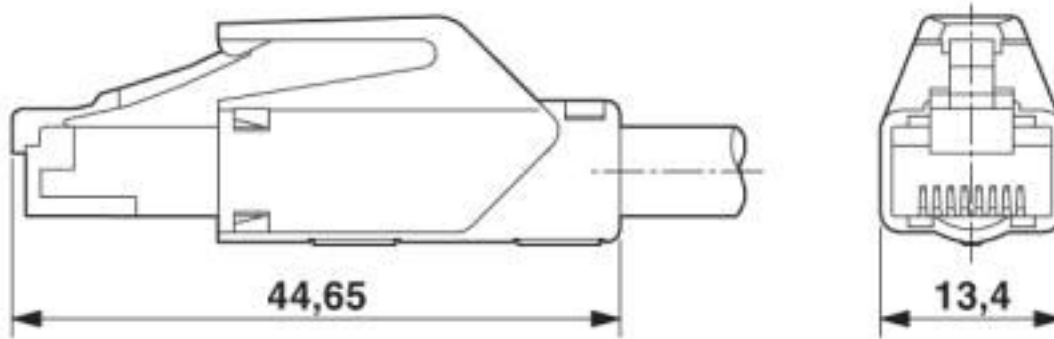
Environmental Product Compliance

China RoHS	Environmentally friendly use period: unlimited = EFUP-e
	No hazardous substances above threshold values

Drawings

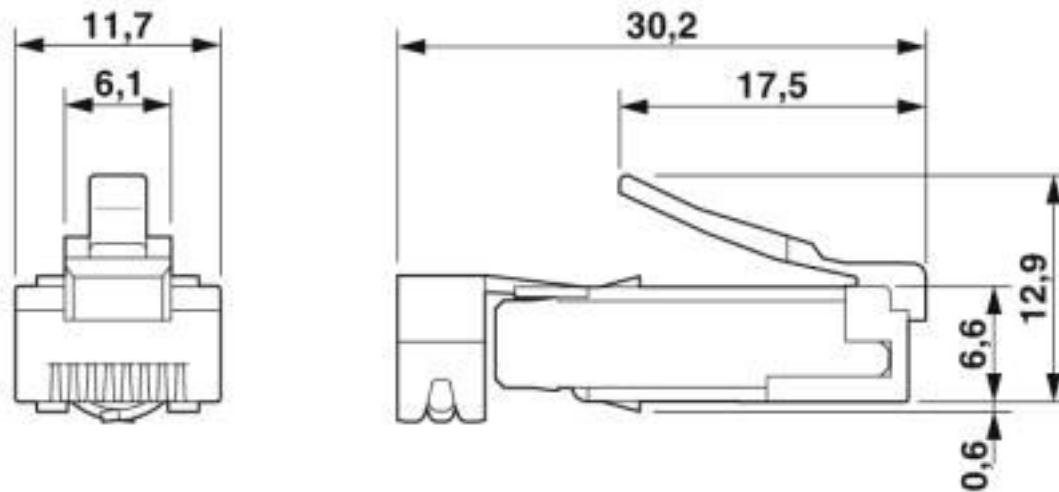
RJ45 connector - CUC-STD-C1PGN-S/R4EA:10 - 1414403

Dimensional drawing



RJ45 connector, IP20

Dimensional drawing



RJ45 male insert

Classifications

eCl@ss

eCl@ss 10.0.1	27440101
eCl@ss 4.0	27260700
eCl@ss 4.1	27260700
eCl@ss 5.0	27260700
eCl@ss 5.1	27260700
eCl@ss 6.0	27260700
eCl@ss 7.0	27440101

RJ45 connector - CUC-STD-C1PGN-S/R4EA:10 - 1414403

Classifications

eCl@ss

eCl@ss 8.0	27440101
eCl@ss 9.0	27440101

ETIM

ETIM 5.0	EC002636
ETIM 6.0	EC002636
ETIM 7.0	EC002636

UNSPSC

UNSPSC 13.2	39121409
UNSPSC 18.0	39121409
UNSPSC 19.0	39121409
UNSPSC 20.0	39121409
UNSPSC 21.0	39121409

Approvals


Approvals

Approvals

EAC

Ex Approvals

Approval details

EAC		B.01687
-----	---	---------

Accessories

Accessories

Crimping tool

RJ45 connector - CUC-STD-C1PGN-S/R4EA:10 - 1414403

Accessories

Crimping pliers - VS-CT-RJ45-H - 1653265



Crimp tool, pliers with die, for RJ45 pin inserts VS-08-ST-H...-RJ45 and VS-08-RJ45-10G/C