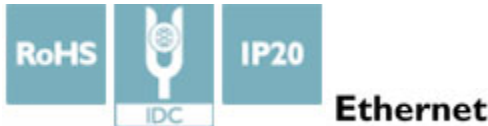


RJ45 connector - CUC-STD-C1PGN-S/R4E8:1 - 1414400


Please be informed that the data shown in this PDF Document is generated from our Online Catalog. Please find the complete data in the user's documentation. Our General Terms of Use for Downloads are valid (<http://phoenixcontact.com/download>)



RJ45 connector, degree of protection: IP20, number of positions: 8, 1 Gbps, CAT6, material: PA, connection method: IDC connection technology, connection cross section: AWG 24- 27, cable outlet: straight, color: green



Key Commercial Data

| | |
|--------------------------------------|---|
| Packing unit | 1 pc |
| GTIN |  4 055626 028224 |
| GTIN | 4055626028224 |
| Weight per Piece (excluding packing) | 20.000 g |
| Custom tariff number | 85366990 |
| Country of origin | Taiwan |

Technical data

Mechanical characteristics

| | |
|--|--|
| Connection method | IDC connection technology |
| Maximum external conductor diameter | 7 mm |
| AWG solid min. | 24 |
| AWG solid max. | 27 |
| Degree of pollution | 2 |
| Cable outlet | straight |
| No. of cable outlets | 1 |
| Conductor cross section | 0.1 mm ² ... 0.2 mm ² (flexible) |
| Weight | 8.2 g |
| Flammability rating according to UL 94 | V2 |

Ambient conditions

RJ45 connector - CUC-STD-C1PGN-S/R4E8:1 - 1414400

Technical data

Ambient conditions

| | |
|---------------------------------|------------------|
| Ambient temperature (operation) | -25 °C ... 60 °C |
|---------------------------------|------------------|

Material data

| | |
|--------------------------|-----------------|
| Contact surface material | Gold |
| Contact material | Phosphor bronze |
| Contact carrier material | PC |
| Housing material | PA |
| Width | 13.5 mm |
| Height | 17 mm |
| Length | 13.5 mm |

Electrical characteristics

| | |
|---|------------------|
| Number of positions | 8 |
| Nominal voltage U_N | 72 V (DC) |
| Transmission characteristics (category) | CAT6 |
| GRP transmission properties | CAT6 CAT6 |
| Transmission speed | 1 Gbps (250 MHz) |
| Rated current | 1 A |
| Degree of pollution | 2 |
| Rated voltage (III/3) | 72 V (DC) |

Standards and Regulations

| | |
|--|----|
| Flammability rating according to UL 94 | V2 |
|--|----|

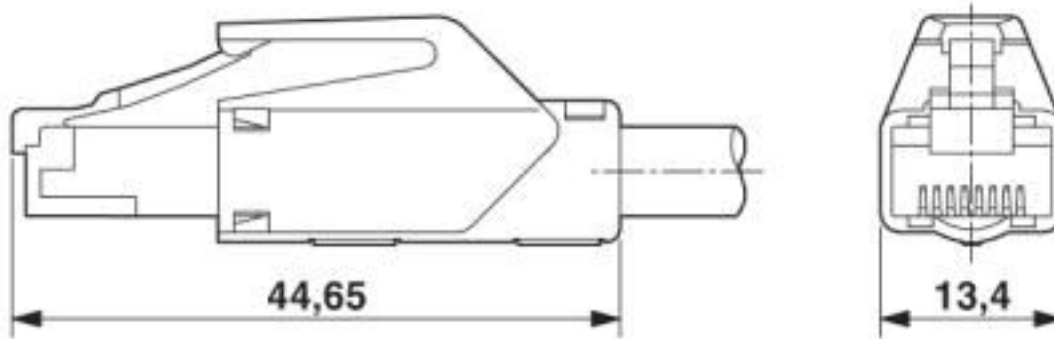
Environmental Product Compliance

| | |
|------------|---|
| China RoHS | Environmentally friendly use period: unlimited = EFUP-e |
| | No hazardous substances above threshold values |

Drawings

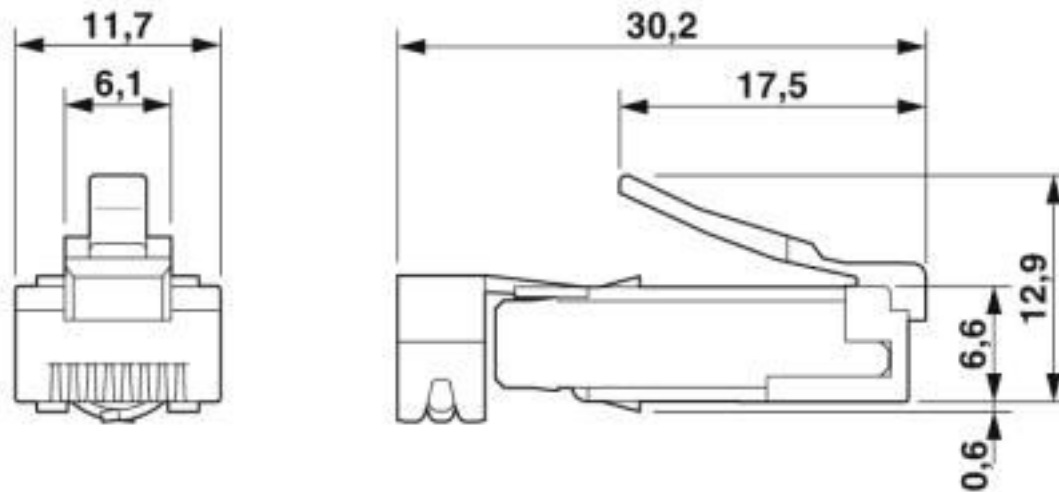
RJ45 connector - CUC-STD-C1PGN-S/R4E8:1 - 1414400

Dimensional drawing



RJ45 connector, IP20

Dimensional drawing



RJ45 male insert

Classifications

eCl@ss

| | |
|---------------|----------|
| eCl@ss 10.0.1 | 27440101 |
| eCl@ss 4.0 | 27260700 |
| eCl@ss 4.1 | 27260700 |
| eCl@ss 5.0 | 27260700 |
| eCl@ss 5.1 | 27260700 |
| eCl@ss 6.0 | 27260700 |
| eCl@ss 7.0 | 27440101 |

RJ45 connector - CUC-STD-C1PGN-S/R4E8:1 - 1414400

Classifications

eCl@ss

| | |
|------------|----------|
| eCl@ss 8.0 | 27440101 |
| eCl@ss 9.0 | 27440101 |

ETIM

| | |
|----------|----------|
| ETIM 5.0 | EC002636 |
| ETIM 6.0 | EC002636 |
| ETIM 7.0 | EC002636 |

UNSPSC

| | |
|-------------|----------|
| UNSPSC 13.2 | 39121409 |
| UNSPSC 18.0 | 39121409 |
| UNSPSC 19.0 | 39121409 |
| UNSPSC 20.0 | 39121409 |
| UNSPSC 21.0 | 39121409 |

Approvals


Approvals

Approvals

EAC

Ex Approvals

Approval details

| | | |
|-----|---|---------|
| EAC |  | B.01687 |
|-----|---|---------|

Accessories

Accessories

Crimping tool

RJ45 connector - CUC-STD-C1PGN-S/R4E8:1 - 1414400

Accessories

Crimping pliers - VS-CT-RJ45-H - 1653265



Crimp tool, pliers with die, for RJ45 pin inserts VS-08-ST-H...-RJ45 and VS-08-RJ45-10G/C