

## Adapter - HC-B-TA-NPT-3/4-ER-AL - 1414265


Please be informed that the data shown in this PDF Document is generated from our Online Catalog. Please find the complete data in the user's documentation. Our General Terms of Use for Downloads are valid (<http://phoenixcontact.com/download>)



Adapter, aluminum, for EVO housing, NPT-3/4" thread



### Key Commercial Data

Packing unit	1 pc
GTIN	 4 055626 022277
GTIN	4055626022277
Weight per Piece (excluding packing)	120.000 g
Custom tariff number	85389099
Country of origin	Germany

### Technical data

#### Dimensions

Length of internal thread	18 mm
---------------------------	-------

#### Ambient conditions

Degree of protection (NEMA)	4 (UL 50e)
	4X (UL 50e)
	12 (UL 50e)
Ambient temperature (operation)	-40 °C ... 125 °C

#### General

Material	Die-cast aluminum, corrosion-resistant
Housing material	Die-cast aluminum, corrosion resistant
Sealing material	NBR (O-ring)

# Adapter - HC-B-TA-NPT-3/4-ER-AL - 1414265

## Technical data

### General

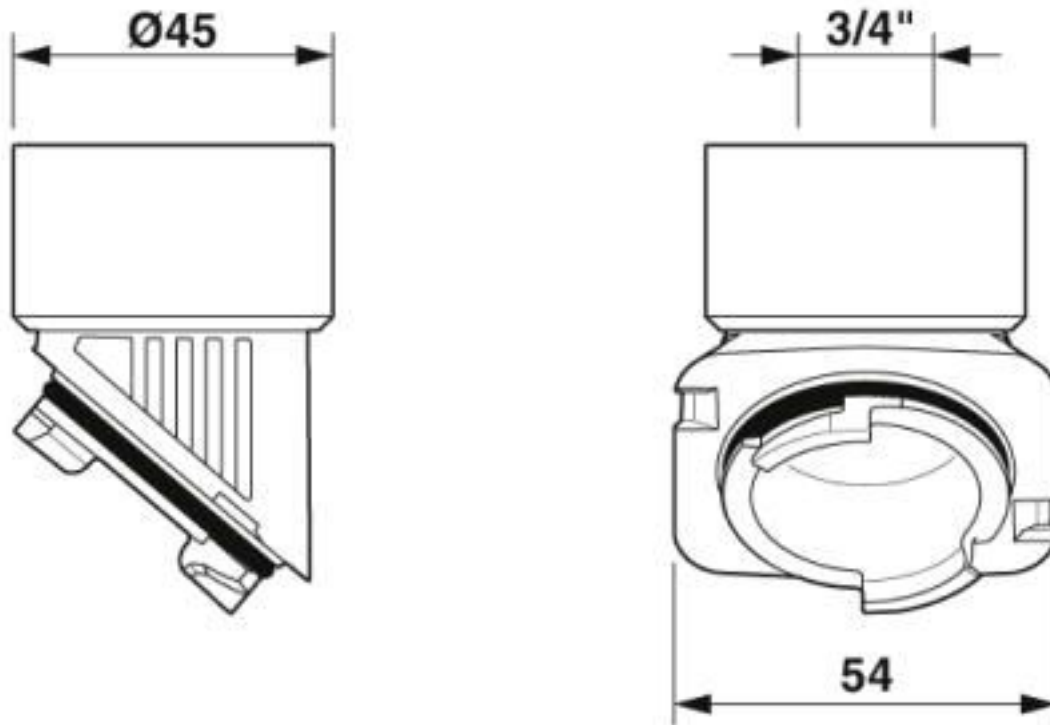
Thread type on seal side	3/4 inch NPT
Torque	13 Nm (Tightening torque of screw connection to be screwed in)

### Environmental Product Compliance

China RoHS	Environmentally friendly use period: unlimited = EFUP-e
	No hazardous substances above threshold values

## Drawings

Dimensional drawing



Dimensional drawing

## Classifications

eCl@ss

eCl@ss 10.0.1	27440192
eCl@ss 4.0	27140800
eCl@ss 4.1	27140800

# Adapter - HC-B-TA-NPT-3/4-ER-AL - 1414265

## Classifications

### eCl@ss

eCl@ss 5.0	27143400
eCl@ss 5.1	27143400
eCl@ss 6.0	27143400
eCl@ss 7.0	27440209
eCl@ss 8.0	27440209
eCl@ss 9.0	27440192

### ETIM

ETIM 5.0	EC002635
ETIM 6.0	EC002635
ETIM 7.0	EC002635

### UNSPSC

UNSPSC 13.2	39121408
UNSPSC 18.0	39121421
UNSPSC 19.0	39121421
UNSPSC 20.0	39121421
UNSPSC 21.0	39121421

## Approvals


### Approvals

#### Approvals

UL Recognized / cUL Recognized / EAC / DNV GL / cULus Recognized

#### Ex Approvals

### Approval details

UL Recognized		<a href="http://database.ul.com/cgi-bin/XYV/template/LISEXT/1FRAME/index.htm">http://database.ul.com/cgi-bin/XYV/template/LISEXT/1FRAME/index.htm</a>	E255026
---------------	---	---	---------


cUL Recognized		<a href="http://database.ul.com/cgi-bin/XYV/template/LISEXT/1FRAME/index.htm">http://database.ul.com/cgi-bin/XYV/template/LISEXT/1FRAME/index.htm</a>	E255026
----------------	---	---	---------

## Adapter - HC-B-TA-NPT-3/4-ER-AL - 1414265

### Approvals

EAC		RU C- DE.AI30.B.01102
-----	---	--------------------------

DNV GL		<a href="https://approvalfinder.dnvgl.com/">https://approvalfinder.dnvgl.com/</a>	TAE000037S
--------	---	---	------------

cULus Recognized	
------------------	---

### Accessories

#### Accessories

#### Full screw connection

#### Cable gland - G-INS-NPT3/4-M68L-NNES-S - 1411184



Cable gland, cable gland material: Nickel-plated brass, external cable diameter 13 mm ... 18 mm, shielding: no, connecting thread: 3/4 inch NPT, color: silver, with O-ring