

Adapter - HC-B-TA-M25-ER-AL - 1414257


Please be informed that the data shown in this PDF Document is generated from our Online Catalog. Please find the complete data in the user's documentation. Our General Terms of Use for Downloads are valid (<http://phoenixcontact.com/download>)



Adapter, aluminum, for EVO housing, M25 thread



Key Commercial Data

| | |
|--------------------------------------|---|
| Packing unit | 1 pc |
| GTIN |  4 055626 022192 |
| GTIN | 4055626022192 |
| Weight per Piece (excluding packing) | 100.000 g |
| Custom tariff number | 85389099 |
| Country of origin | Germany |

Technical data

Dimensions

| | |
|---------------------------|-------|
| Length of internal thread | 13 mm |
|---------------------------|-------|

Ambient conditions

| | |
|---------------------------------|-------------------|
| Degree of protection (NEMA) | 4 (UL 50e) |
| | 4X (UL 50e) |
| | 12 (UL 50e) |
| Ambient temperature (operation) | -40 °C ... 125 °C |

General

| | |
|------------------|--|
| Material | Die-cast aluminum, corrosion-resistant |
| Housing material | Die-cast aluminum, corrosion resistant |
| Sealing material | NBR (O-ring) |

Adapter - HC-B-TA-M25-ER-AL - 1414257

Technical data

General

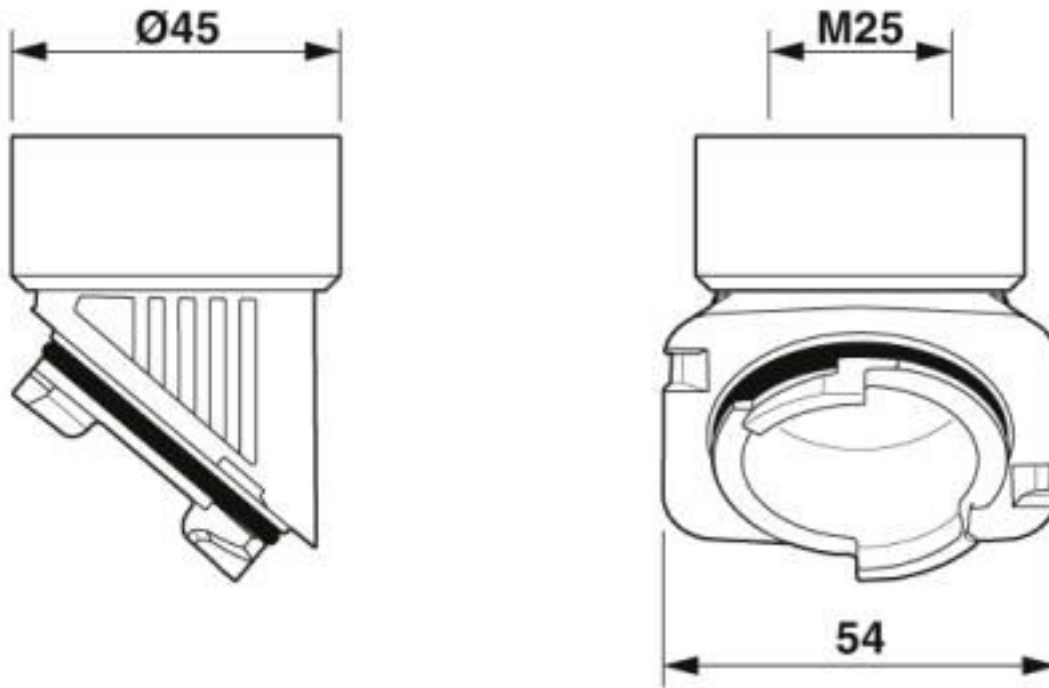
| | |
|--------------------------|--|
| Thread type on seal side | M25 |
| Torque | 12 Nm (Tightening torque of screw connection to be screwed in) |

Environmental Product Compliance

| | |
|------------|---|
| China RoHS | Environmentally friendly use period: unlimited = EFUP-e |
| | No hazardous substances above threshold values |

Drawings

Dimensional drawing



Dimensional drawing

Classifications

eCl@ss

| | |
|---------------|----------|
| eCl@ss 10.0.1 | 27440192 |
| eCl@ss 4.0 | 27140800 |
| eCl@ss 4.1 | 27140800 |
| eCl@ss 5.0 | 27143400 |

Adapter - HC-B-TA-M25-ER-AL - 1414257

Classifications

eCl@ss

| | |
|------------|----------|
| eCl@ss 5.1 | 27143400 |
| eCl@ss 6.0 | 27143400 |
| eCl@ss 7.0 | 27440209 |
| eCl@ss 8.0 | 27440209 |
| eCl@ss 9.0 | 27440192 |

ETIM

| | |
|----------|----------|
| ETIM 5.0 | EC002635 |
| ETIM 6.0 | EC002635 |
| ETIM 7.0 | EC002635 |

UNSPSC

| | |
|-------------|----------|
| UNSPSC 13.2 | 39121408 |
| UNSPSC 18.0 | 39121421 |
| UNSPSC 19.0 | 39121421 |
| UNSPSC 20.0 | 39121421 |
| UNSPSC 21.0 | 39121421 |

Approvals

Approvals

Approvals

UL Recognized / cUL Recognized / EAC / DNV GL / cULus Recognized

Ex Approvals

Approval details

| | | | |
|---------------|--|---|---------|
| UL Recognized | | http://database.ul.com/cgi-bin/XYV/template/LISEXT/1FRAME/index.htm | E255026 |
|---------------|--|---|---------|

| | | | |
|----------------|--|---|---------|
| cUL Recognized | | http://database.ul.com/cgi-bin/XYV/template/LISEXT/1FRAME/index.htm | E255026 |
|----------------|--|---|---------|

Adapter - HC-B-TA-M25-ER-AL - 1414257

Approvals

| | | |
|-----|--|--------------------------|
| EAC | | RU C- DE.AI30.B.01102 |
|-----|--|--------------------------|

| | | | |
|--------|--|---|------------|
| DNV GL | | https://approvalfinder.dnvgl.com/ | TAE000037S |
|--------|--|---|------------|

| | |
|------------------|--|
| cULus Recognized | |
|------------------|--|

Accessories

Accessories

Full screw connection

Cable gland - G-INS-M25-S68N-NNES-S - 1424527



Cable gland, cable gland material: Nickel-plated brass, external cable diameter 10 mm ... 14 mm, shielding: no, connecting thread: M25 x 1.5, color: silver, with O-ring

Cable gland - G-INS-M25-M68N-NNES-S - 1411165



Cable gland, cable gland material: Nickel-plated brass, external cable diameter 11 mm ... 17 mm, shielding: no, connecting thread: M25 x 1.5, color: silver, with O-ring

Cable gland - G-INSEC-M25-S68N-NCRS-S - 1411190



Cable gland, cable gland material: Nickel-plated brass, external cable diameter 11 mm ... 16 mm, shielding: yes, connecting thread: M25 x 1.5, color: silver, with O-ring

Adapter - HC-B-TA-M25-ER-AL - 1414257

Accessories

Cable gland - G-INS-M25-M68N-SNES-S - 1424544



Cable gland, cable gland material: Stainless steel 1.4305, external cable diameter 11 mm ... 17 mm, shielding: no, connecting thread: M25 x 1.5, color: silver, with O-ring