

Adapter - HC-B-TA-M20-ER-AL - 1414256


Please be informed that the data shown in this PDF Document is generated from our Online Catalog. Please find the complete data in the user's documentation. Our General Terms of Use for Downloads are valid (<http://phoenixcontact.com/download>)



Adapter, aluminum, for EVO housing, M20 thread



Key Commercial Data

Packing unit	1 pc
GTIN	 4 055626 022185
GTIN	4055626022185
Weight per Piece (excluding packing)	110.000 g
Custom tariff number	85389099
Country of origin	Germany

Technical data

Dimensions

Length of internal thread	13 mm
---------------------------	-------

Ambient conditions

Degree of protection (NEMA)	4 (UL 50e)
	4X (UL 50e)
	12 (UL 50e)
Ambient temperature (operation)	-40 °C ... 125 °C

General

Material	Die-cast aluminum, corrosion-resistant
Housing material	Die-cast aluminum, corrosion resistant
Sealing material	NBR (O-ring)

Adapter - HC-B-TA-M20-ER-AL - 1414256

Technical data

General

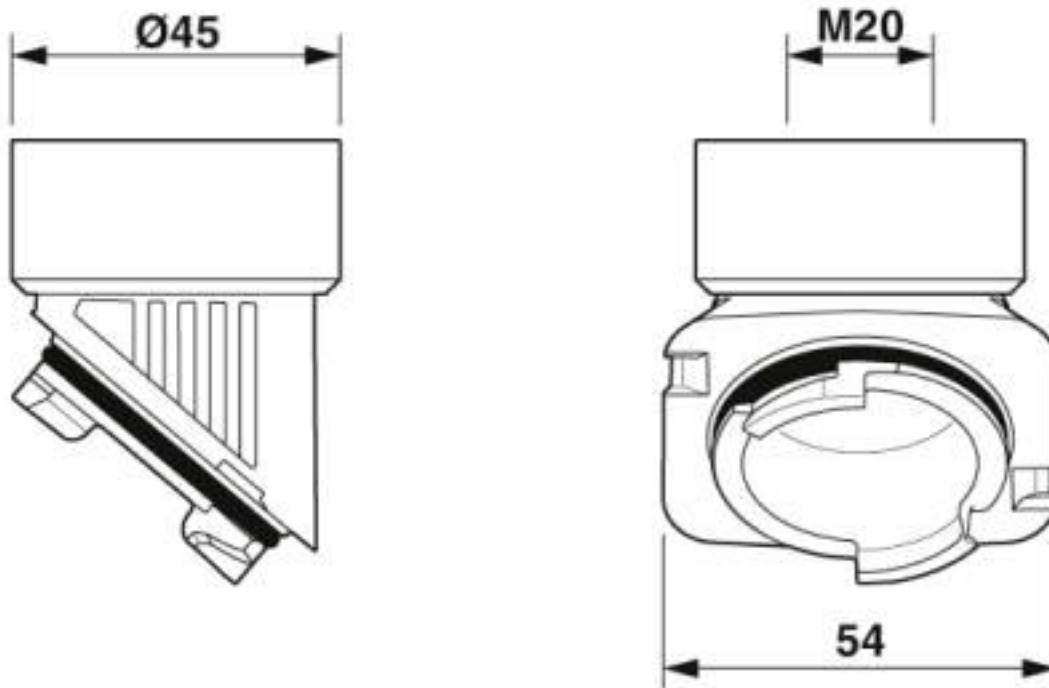
Thread type on seal side	M20
Torque	12 Nm (Tightening torque of screw connection to be screwed in)

Environmental Product Compliance

China RoHS	Environmentally friendly use period: unlimited = EFUP-e
	No hazardous substances above threshold values

Drawings

Dimensional drawing



Dimensional drawing

Classifications

eCl@ss

eCl@ss 10.0.1	27440192
eCl@ss 4.0	27140800
eCl@ss 4.1	27140800
eCl@ss 5.0	27143400

Adapter - HC-B-TA-M20-ER-AL - 1414256

Classifications

eCl@ss

eCl@ss 5.1	27143400
eCl@ss 6.0	27143400
eCl@ss 7.0	27440209
eCl@ss 8.0	27440209
eCl@ss 9.0	27440192

ETIM

ETIM 5.0	EC002635
ETIM 6.0	EC002635
ETIM 7.0	EC002635

UNSPSC

UNSPSC 13.2	39121408
UNSPSC 18.0	39121421
UNSPSC 19.0	39121421
UNSPSC 20.0	39121421
UNSPSC 21.0	39121421

Approvals

Approvals


Approvals

UL Recognized / cUL Recognized / EAC / DNV GL / cULus Recognized

Ex Approvals

Approval details

UL Recognized		http://database.ul.com/cgi-bin/XYV/template/LISEXT/1FRAME/index.htm	E255026
---------------	---	---	---------

cUL Recognized		http://database.ul.com/cgi-bin/XYV/template/LISEXT/1FRAME/index.htm	E255026
----------------	---	---	---------

Adapter - HC-B-TA-M20-ER-AL - 1414256

Approvals

EAC		RU C- DE.AI30.B.01102
-----	--	--------------------------

DNV GL		https://approvalfinder.dnvgl.com/	TAE000037S
--------	--	---	------------

cULus Recognized		
------------------	--	--

Accessories

Accessories

Full screw connection

Cable gland - G-INS-M20-S68N-NNES-S - 1411163



Cable gland, cable gland material: Nickel-plated brass, external cable diameter 6 mm ... 12 mm, shielding: no, connecting thread: M20 x 1.5, color: silver, with O-ring

Cable gland - G-INSEC-M20-S68N-NCRS-S - 1411189



Cable gland, cable gland material: Nickel-plated brass, external cable diameter 9 mm ... 13 mm, shielding: yes, connecting thread: M20 x 1.5, color: silver, with O-ring

Cable gland - G-INS-M20-M68N-SNES-S - 1424543



Cable gland, cable gland material: Stainless steel 1.4305, external cable diameter 6 mm ... 12 mm, shielding: no, connecting thread: M20 x 1.5, color: silver, with O-ring

