

Adapter - HC-B-TA-NPT-1/1-PLR-BK - 1414253

Please be informed that the data shown in this PDF Document is generated from our Online Catalog. Please find the complete data in the user's documentation. Our General Terms of Use for Downloads are valid (<http://phoenixcontact.com/download>)



Plastic thread adapter, for HEAVYCON EVO housing, NPT 1/1" thread



COMPLETE

Key Commercial Data

Packing unit	1 pc
GTIN	 4 055626 022161
GTIN	4055626022161
Weight per Piece (excluding packing)	40.000 g
Custom tariff number	85389099
Country of origin	Poland

Technical data

Dimensions

Length of internal thread	15 mm
---------------------------	-------

Ambient conditions

Ambient temperature (operation)	-40 °C ... 100 °C
---------------------------------	-------------------

General

Material	PA
Housing material	PA
Sealing material	NBR (O-ring)
Flammability rating according to UL 94	V0
Shielded	no
Thread type on seal side	1/1" NPT

Adapter - HC-B-TA-NPT-1/1-PLR-BK - 1414253

Technical data

General

Torque	12 Nm (Tightening torque of screw connection to be screwed in)
Color	black
Assembly instructions	Bayonet locking max. 3x can be removed

Standards and Regulations

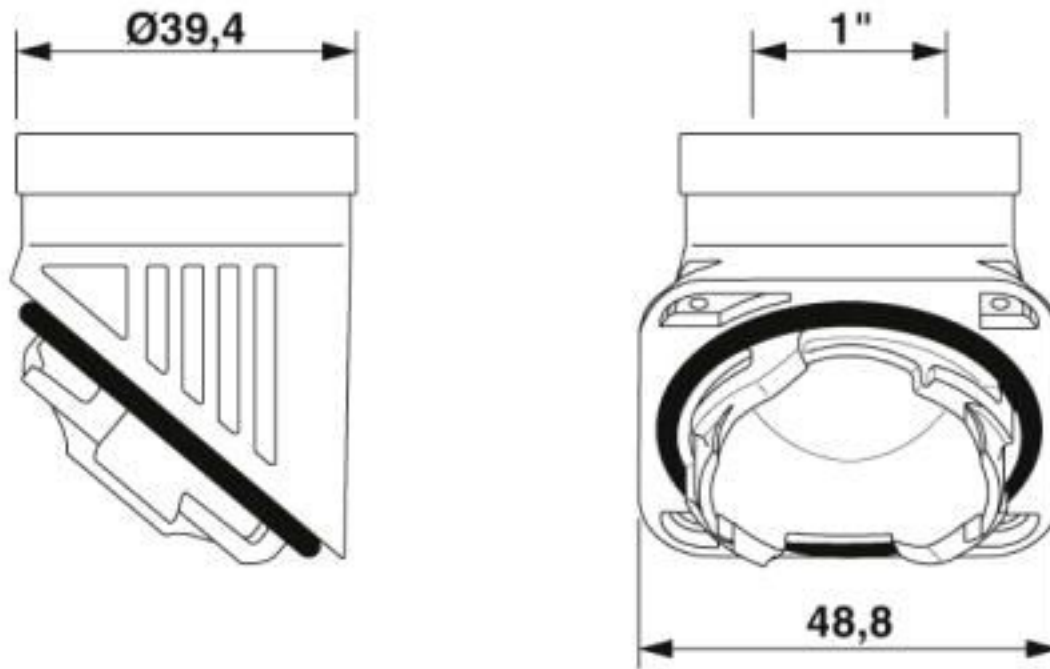
Flammability rating according to UL 94	V0
--	----

Environmental Product Compliance

China RoHS	Environmentally friendly use period: unlimited = EFUP-e
	No hazardous substances above threshold values

Drawings

Dimensional drawing



Dimensional drawing

Classifications

eCl@ss

eCl@ss 10.0.1	27440192
---------------	----------

Adapter - HC-B-TA-NPT-1/1-PLR-BK - 1414253

Classifications

eCl@ss

eCl@ss 4.0	27140800
eCl@ss 4.1	27140800
eCl@ss 5.0	27143400
eCl@ss 5.1	27143400
eCl@ss 6.0	27143400
eCl@ss 7.0	27440209
eCl@ss 8.0	27440209
eCl@ss 9.0	27440192

ETIM

ETIM 5.0	EC002635
ETIM 6.0	EC002635
ETIM 7.0	EC002635

UNSPSC

UNSPSC 13.2	39121408
UNSPSC 18.0	39121421
UNSPSC 19.0	39121421
UNSPSC 20.0	39121421
UNSPSC 21.0	39121421

Approvals

Approvals

Approvals

UL Recognized / cUL Recognized / EAC / DNV GL / cULus Recognized

Ex Approvals

Approval details

UL Recognized		http://database.ul.com/cgi-bin/XYV/template/LISEXT/1FRAME/index.htm	E255026
---------------	---	---	---------

Adapter - HC-B-TA-NPT-1/1-PLR-BK - 1414253

Approvals

cUL Recognized		http://database.ul.com/cgi-bin/XYV/template/LISEXT/1FRAME/index.htm	E255026
----------------	--	---	---------

EAC			RU C- DE.AI30.B.01102
-----	--	--	--------------------------

DNV GL		https://approvalfinder.dnvgl.com/	TAE000037S
--------	--	---	------------

cULus Recognized			
------------------	--	--	--

Accessories

Accessories

Full screw connection

Cable gland - G-INS-N1-M68L-PNES-BK - 1411159



Cable gland, cable gland material: PA, external cable diameter 18 mm ... 25 mm, shielding: no, connecting thread: 1 inch NPT, color: jet black RAL 9005