

# Housing screw connection - SACC-BP-F-M12/M15-7-THR - 1414003

Please be informed that the data shown in this PDF Document is generated from our Online Catalog. Please find the complete data in the user's documentation. Our General Terms of Use for Downloads are valid (<http://phoenixcontact.com/download>)



Housing screw connection, Socket, M12, Rear mounting, M15 x 1

## Your advantages

- ✓ Easy device integration, thanks to mechanical port screw connections with threaded fastening
- ✓ Flexible PCB assembly: two-piece connectors for wave and THR soldering



## Key Commercial Data

Packing unit	1
GTIN	
GTIN	4055626022604
Custom tariff number	79070000

## Technical data

### Ambient conditions

Ambient temperature (operation)	-25 °C ... 85 °C (Plug / socket)
	-40 °C ... 85 °C (without mechanical actuation)
Degree of protection	IP67 (correctly plugged in and locked)

### General

Note	The electrical and mechanical data specified assume that the connector pair is correctly locked and mounted. If the connector is unlocked and if there is a danger of contamination, the connector must be sealed using a protective cap > IP54. Influences arising from litz wires, cables or PCB assembly must also be taken into consideration.
Standards/regulations	M12 connector IEC 61076-2-101 In line with
Insertion/withdrawal cycles	> 100

## Housing screw connection - SACC-BP-F-M12/M15-7-THR - 1414003

### Technical data

#### General

Torque	1.5 Nm ... 2 Nm (Installation-side)
Mounting type	Rear mounting M15 x 1 Spacing between the top edge of the PCB and the back of the front plate: 7 mm

#### Material

Material, knurls	Zinc die-cast, nickel-plated
Material	Zinc die-cast (nickel-plated)
Sealing material	FKM (O-ring on housing)
	FKM (O-ring (pin connector pattern))
Additional material specifications	Brass, nickel-plated (Locking nut)

#### Cable

Standards/specifications	M12 connector IEC 61076-2-101 In line with
--------------------------	--

#### Standards and Regulations

Standards/specifications	M12 connector IEC 61076-2-101 In line with
--------------------------	--

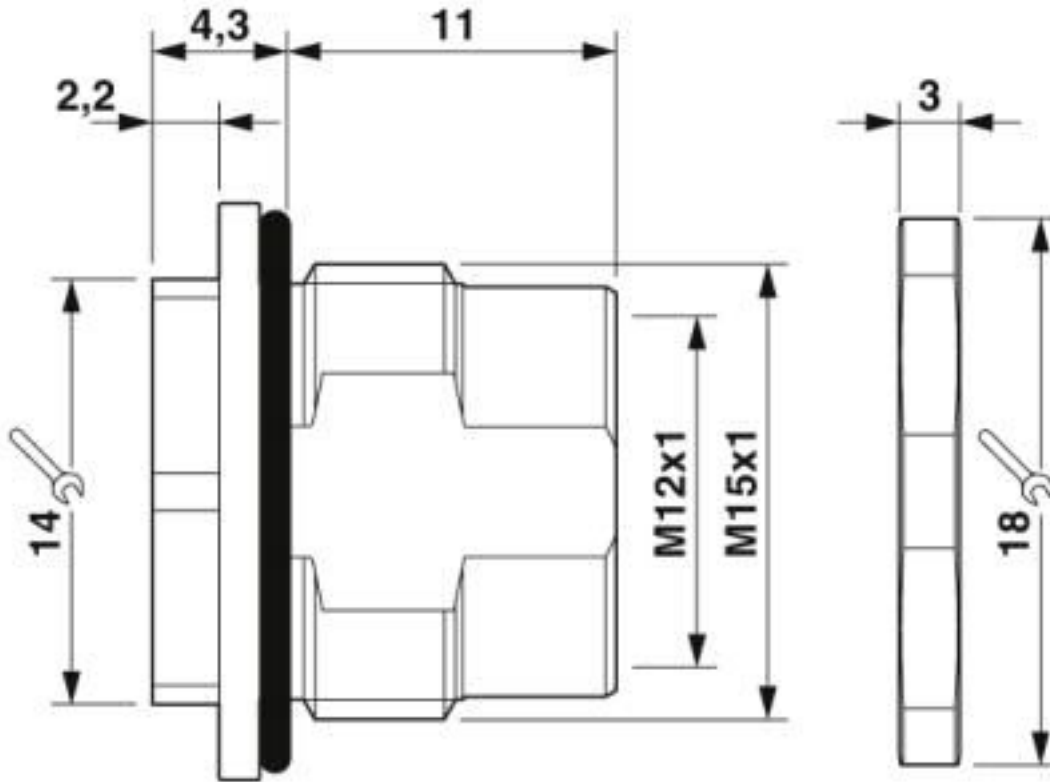
#### Environmental Product Compliance

REACH SVHC	Lead 7439-92-1
China RoHS	Environmentally Friendly Use Period = 50 years
	For details about hazardous substances go to tab "Downloads", Category "Manufacturer's declaration"

### Drawings

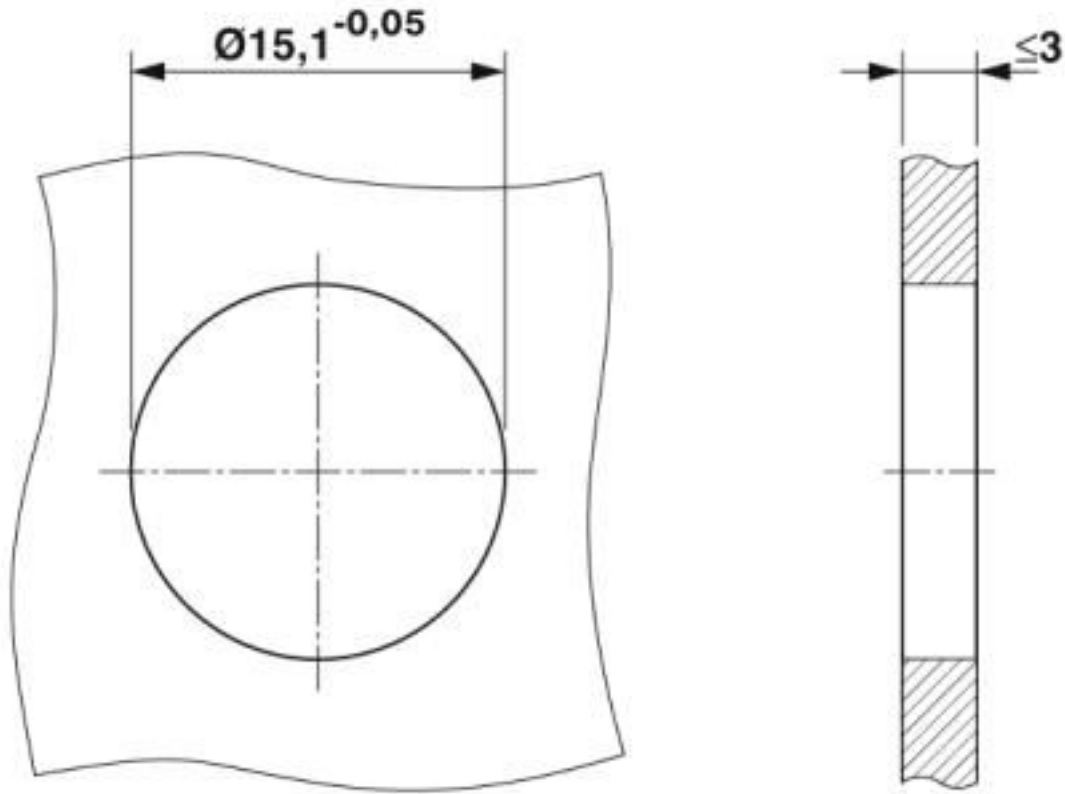
# Housing screw connection - SACC-BP-F-M12/M15-7-THR - 1414003

Dimensional drawing



# Housing screw connection - SACC-BP-F-M12/M15-7-THR - 1414003

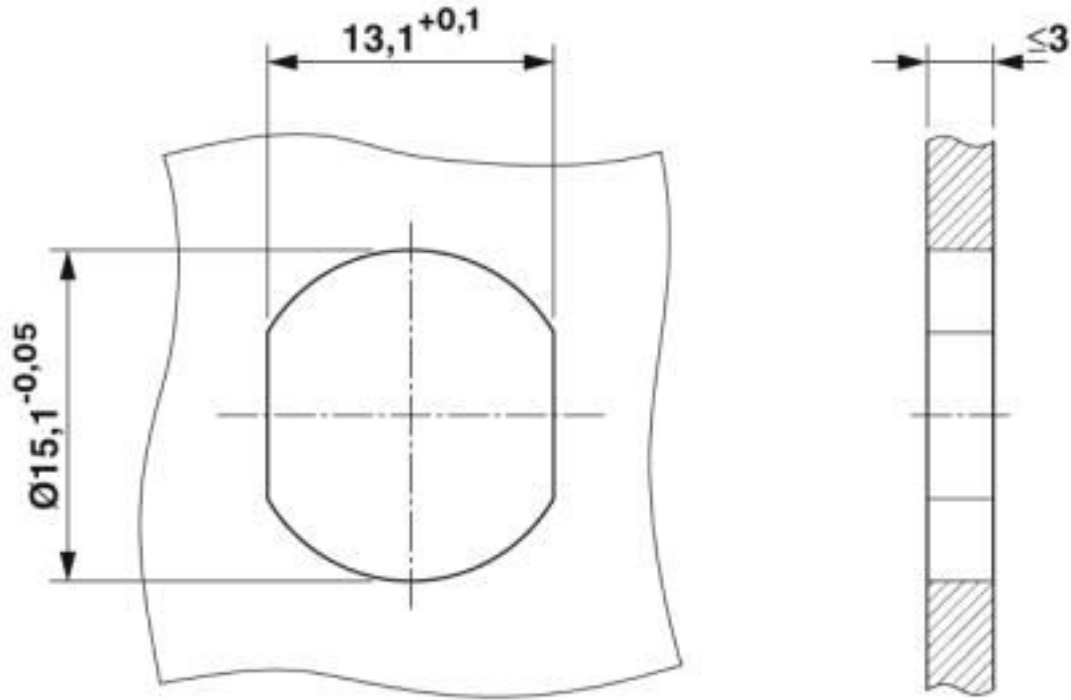
Dimensional drawing



Housing section with without anti-rotation protection

# Housing screw connection - SACC-BP-F-M12/M15-7-THR - 1414003

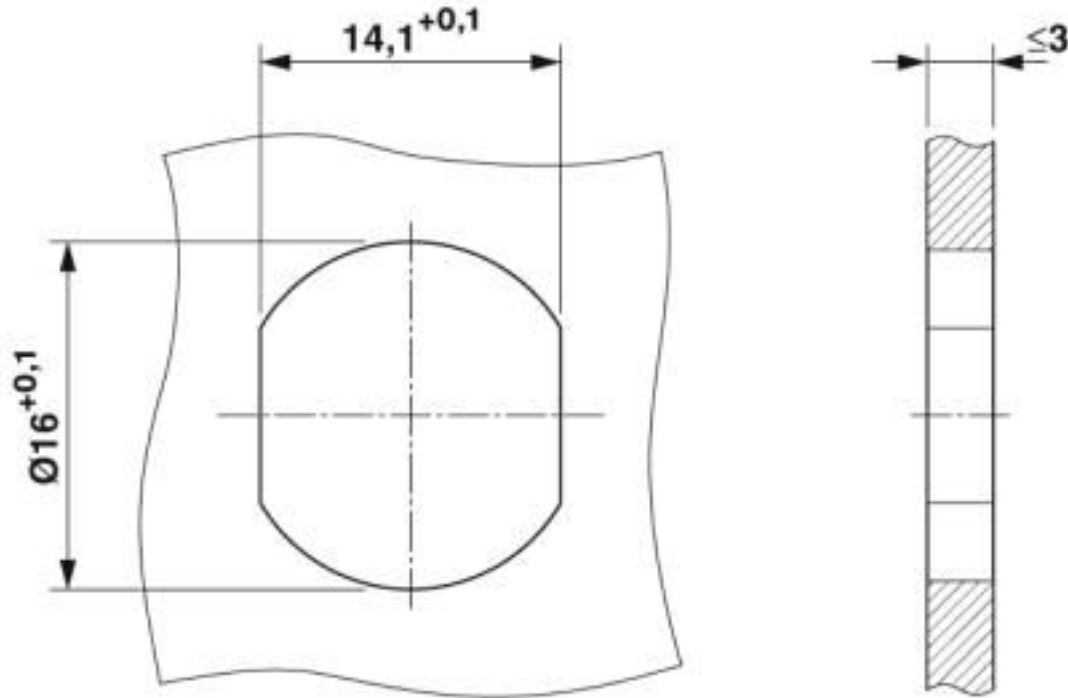
Dimensional drawing



Housing section with anti-rotation protection

## Housing screw connection - SACC-BP-F-M12/M15-7-THR - 1414003

Dimensional drawing



Housing section with anti-rotation protection. Housing screw connection pre-assembled on insulating body with subsequent mounting in the front plate.

### Classifications

eCl@ss

eCl@ss 10.0.1	23100602
eCl@ss 4.0	23100600
eCl@ss 4.1	23100600
eCl@ss 5.0	23100600
eCl@ss 5.1	23100600
eCl@ss 6.0	23100600
eCl@ss 7.0	23100602
eCl@ss 8.0	23100602
eCl@ss 9.0	23100602

ETIM

ETIM 4.0	EC001855
ETIM 5.0	EC002350
ETIM 6.0	EC002350
ETIM 7.0	EC002350

## Housing screw connection - SACC-BP-F-M12/M15-7-THR - 1414003

### Classifications

#### UNSPSC

UNSPSC 13.2	31171603
UNSPSC 18.0	31171603
UNSPSC 19.0	31171603
UNSPSC 20.0	31171603
UNSPSC 21.0	31171603

### Approvals

#### Approvals

---

#### Approvals

#### EAC

---

#### Ex Approvals

---

#### Approval details

EAC		B.01687
-----	---	---------

---