

## Housing - HC-STA-B16-SLWSC-2SSM25-ELC-AL - 1412865

Please be informed that the data shown in this PDF Document is generated from our Online Catalog. Please find the complete data in the user's documentation. Our General Terms of Use for Downloads are valid (<http://phoenixcontact.com/download>)



Box mounting bases B16, with single locking latch, material: Die-cast aluminum, salt water resistant, protective cover material: PA, cable outlets: 2, lateral, height: 68 mm, cable gland: none, support sleeve: no, 2x M25, protective cover: yes, Standard

### Your advantages

- good shielding in the event of electromagnetic interference

RoHS



### Key Commercial Data

Packing unit	1 pc
GTIN	 4 055626 061146
GTIN	4055626061146
Weight per Piece (excluding packing)	360.000 g
Custom tariff number	85389099
Country of origin	Poland

### Technical data

#### Dimensions

Height	68 mm
Width	57 mm
Length	117.5 mm

#### Ambient conditions

Degree of protection (IP)	IP66 (with locked protective cover)
	IP67 (when plugged in)
Degree of protection (NEMA)	4 (UL 50e)
	4X (UL 50e)

# Housing - HC-STA-B16-SLWSC-2SSM25-ELC-AL - 1412865

## Technical data

### Ambient conditions

	12 (UL 50e)
Ambient temperature (operation)	-40 °C ... 125 °C

### General

Note	For contact inserts HC-B16, BB32, D40, DD72, HS6, HV6, M, K
Size	B16
Housing type	Box mounting bases
Color	gray aluminum
Locking type	with single locking latch
No. of cable outlets	2
Cable outlet	lateral
Screw connection	none
Type of the screw connection	2x M25
Protective cover	yes
Housing material	Die-cast aluminum, salt water resistant
Housing surface material	uncoated
Seal material	NBR, conductive
Material lock	PA
Material, protective cover	PA
Assembly instructions	One opening is sealed with a plastic filler plug and can be opened using a screwdriver.

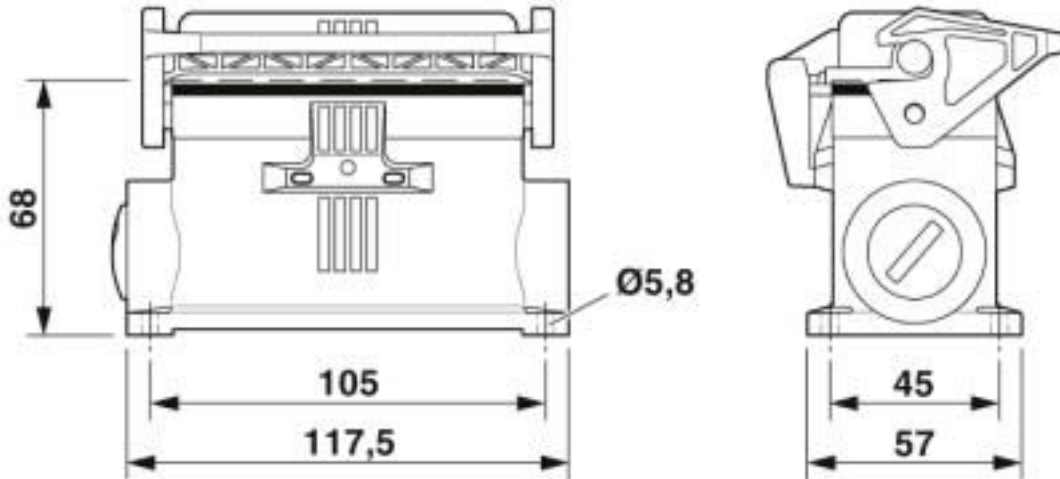
### Environmental Product Compliance

China RoHS	Environmentally Friendly Use Period = 50 years
	For details about hazardous substances go to tab "Downloads", Category "Manufacturer's declaration"

## Drawings

# Housing - HC-STA-B16-SLWSC-2SSM25-ELC-AL - 1412865

Dimensional drawing



Dimensional drawing

## Classifications

eCl@ss

eCl@ss 10.0.1	27440202
eCl@ss 5.1	27261200
eCl@ss 6.0	27261200
eCl@ss 7.0	27440202
eCl@ss 8.0	27440202
eCl@ss 9.0	27440202

ETIM

ETIM 5.0	EC000437
ETIM 6.0	EC000437
ETIM 7.0	EC000437

UNSPSC

UNSPSC 13.2	31261501
UNSPSC 18.0	31261501
UNSPSC 19.0	31261501
UNSPSC 20.0	31261501
UNSPSC 21.0	31261501

## Approvals

Approvals

# Housing - HC-STA-B16-SLWSC-2SSM25-ELC-AL - 1412865

## Approvals

---

Approvals

EAC / DNV GL

---

Ex Approvals

---

## Approval details

EAC		RU C- DE.AI30.B.01102
-----	--	--------------------------

DNV GL		<a href="https://approvalfinder.dnvgl.com/">https://approvalfinder.dnvgl.com/</a>	TAE000037S
--------	--	---	------------

## Accessories

### Accessories

#### Full screw connection

Cable gland - G-INS-M25-M68N-NNES-S - 1411165



Cable gland, cable gland material: Nickel-plated brass, external cable diameter 11 mm ... 17 mm, shielding: no, connecting thread: M25 x 1.5, color: silver, with O-ring

---

Cable gland - G-INSEC-M25-S68N-NCRS-S - 1411190



Cable gland, cable gland material: Nickel-plated brass, external cable diameter 11 mm ... 16 mm, shielding: yes, connecting thread: M25 x 1.5, color: silver, with O-ring

---

## Housing - HC-STA-B16-SLWSC-2SSM25-ELC-AL - 1412865

### Accessories

Cable gland - HC-M-KV-M25(1ASI) - 1584020



Metal screw connection for an AS-Interface flat-ribbon conductor, thread type M25

---

### Housing latches

Replacement part - HC-STA-B16-SL-PLBK - 1412284



Single locking latch for B16 housing, HC-EVO....AL and HC-STA....AL

---

### Multiple screw connection

Cable gland - HC-M-KV-M25(1X10/1X11) - 1580228



Special cable screw connection M25, brass nickel-plated, grommet with 10 mm and 11 mm holes

---

### Seal

Profile gasket - HC-B16-SP-CBK - 1411480



Profile gasket for HEAVYCON EVO supporting base element type B16, conductive

---