

Housing - HC-STA-B10-SLWSC-2SSM25-ELC-AL - 1412845

Please be informed that the data shown in this PDF Document is generated from our Online Catalog. Please find the complete data in the user's documentation. Our General Terms of Use for Downloads are valid (<http://phoenixcontact.com/download>)



Box mounting bases B10, with single locking latch, material: Die-cast aluminum, salt water resistant, protective cover material: PA, cable outlets: 2, lateral, height: 54.6 mm, cable gland: none, support sleeve: no, 2x M25, protective cover: yes, Standard


Your advantages

- good shielding in the event of electromagnetic interference

RoHS



Key Commercial Data

Packing unit	1 pc
GTIN	 4 055626 061023
GTIN	4055626061023
Weight per Piece (excluding packing)	220.000 g
Custom tariff number	85389099
Country of origin	China

Technical data

Dimensions

Height	54.6 mm
Width	52 mm
Length	92 mm

Ambient conditions

Degree of protection (IP)	IP66 (with locked protective cover)
	IP67 (when plugged in)
Degree of protection (NEMA)	4 (UL 50e)
	4X (UL 50e)

Housing - HC-STA-B10-SLWSC-2SSM25-ELC-AL - 1412845

Technical data

Ambient conditions

	12 (UL 50e)
Ambient temperature (operation)	-40 °C ... 125 °C

General

Note	For contact inserts HC-B10, BB18, DD42, M, K8/24
Size	B10
Housing type	Box mounting bases
Color	gray aluminum
Locking type	with single locking latch
No. of cable outlets	2
Cable outlet	lateral
Screw connection	none
Type of the screw connection	2x M25
Protective cover	yes
Housing material	Die-cast aluminum, salt water resistant
Housing surface material	uncoated
Seal material	NBR, conductive
Material lock	PA
Material, protective cover	PA
Assembly instructions	One opening is sealed with a plastic filler plug and can be opened using a screwdriver.

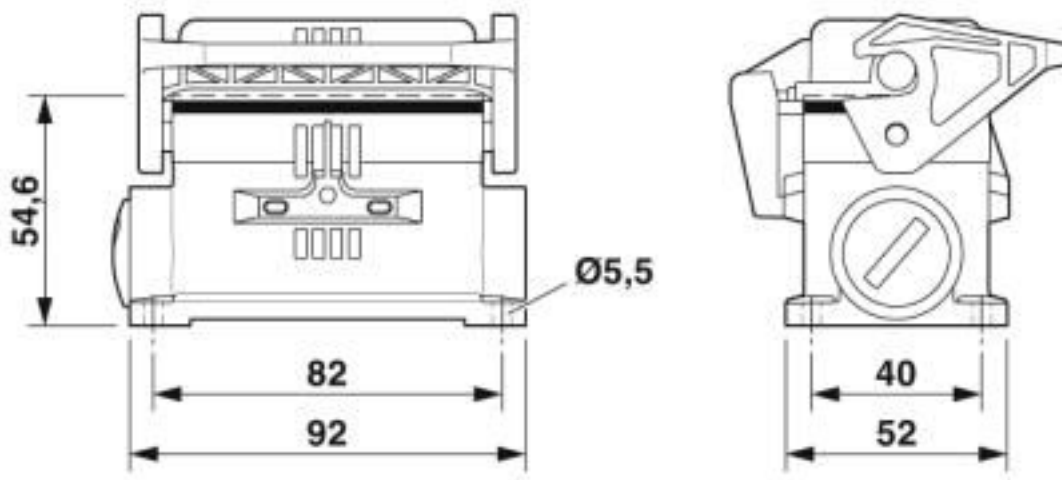
Environmental Product Compliance

China RoHS	Environmentally friendly use period: unlimited = EFUP-e
	No hazardous substances above threshold values

Drawings

Housing - HC-STA-B10-SLWSC-2SSM25-ELC-AL - 1412845

Dimensional drawing



Dimensional drawing

Classifications

eCl@ss

eCl@ss 10.0.1	27440202
eCl@ss 5.1	27261200
eCl@ss 6.0	27261200
eCl@ss 7.0	27440202
eCl@ss 8.0	27440202
eCl@ss 9.0	27440202

ETIM

ETIM 5.0	EC000437
ETIM 6.0	EC000437
ETIM 7.0	EC000437

UNSPSC

UNSPSC 13.2	31261501
UNSPSC 18.0	31261501
UNSPSC 19.0	31261501
UNSPSC 20.0	31261501
UNSPSC 21.0	31261501

Approvals

Approvals

Housing - HC-STA-B10-SLWSC-2SSM25-ELC-AL - 1412845

Approvals

Approvals

EAC / DNV GL

Ex Approvals

Approval details

EAC		RU C- DE.AI30.B.01102
-----	--	--------------------------

DNV GL		https://approvalfinder.dnvgl.com/	TAE000037S
--------	--	---	------------

Accessories

Accessories

Full screw connection

Cable gland - G-INS-M25-M68N-NNES-S - 1411165



Cable gland, cable gland material: Nickel-plated brass, external cable diameter 11 mm ... 17 mm, shielding: no, connecting thread: M25 x 1.5, color: silver, with O-ring

Cable gland - G-INSEC-M25-S68N-NCRS-S - 1411190



Cable gland, cable gland material: Nickel-plated brass, external cable diameter 11 mm ... 16 mm, shielding: yes, connecting thread: M25 x 1.5, color: silver, with O-ring

Housing latches

Housing - HC-STA-B10-SLWSC-2SSM25-ELC-AL - 1412845

Accessories

Replacement part - HC-STA-B10-SL-PLBK - 1412804



Single locking latch for B10 housing, HC-EVO....AL and HC-STA....AL

Seal

Profile gasket - HC-B10-SP-CBK - 1411479



Profile gasket for HEAVYCON EVO supporting base element type B10, conductive
