

Housing - HC-STA-B24-HLFD-1TTP16-EL-AL - 1412780

Please be informed that the data shown in this PDF Document is generated from our Online Catalog. Please find the complete data in the user's documentation. Our General Terms of Use for Downloads are valid (<http://phoenixcontact.com/download>)



Sleeve housing B24, for double locking latch, material: Die-cast aluminum, salt water resistant, cable outlets: 1, straight, height: 60 mm, cable gland: none, support sleeve: no, 1x Pg16, Standard

Your advantages

- good shielding in the event of electromagnetic interference



Key Commercial Data

| | |
|----------------------|---------------|
| Packing unit | 1 pc |
| GTIN | |
| GTIN | 4055626060460 |
| Custom tariff number | 85389099 |
| Country of origin | China |

Technical data

Dimensions

| | |
|--------|--------|
| Height | 60 mm |
| Width | 44 mm |
| Length | 120 mm |

Ambient conditions

| | |
|-----------------------------|-------------|
| Degree of protection (IP) | IP66 |
| | IP67 |
| Degree of protection (NEMA) | 4 (UL 50e) |
| | 4X (UL 50e) |
| | 12 (UL 50e) |

Housing - HC-STA-B24-HLFD-1TTP16-EL-AL - 1412780

Technical data

Ambient conditions

| | |
|---------------------------------|-------------------|
| Ambient temperature (operation) | -40 °C ... 125 °C |
|---------------------------------|-------------------|

General

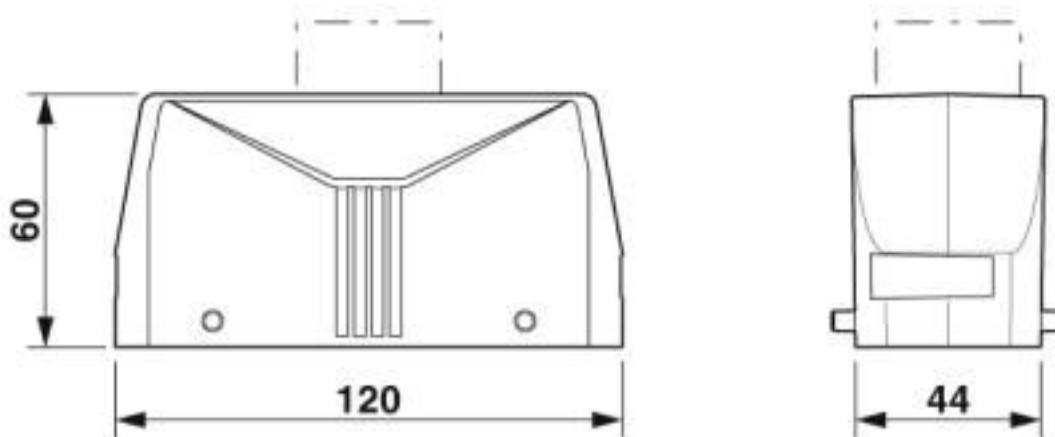
| | |
|------------------------------|--|
| Note | for contact inserts HC-B24, BB46, D64, DD108, HV10/16, M |
| Size | B24 |
| Housing type | Sleeve housing |
| Color | gray aluminum |
| Locking type | for double locking latch |
| No. of cable outlets | 1 |
| Cable outlet | straight |
| Screw connection | none |
| Type of the screw connection | 1x Pg16 |
| Housing material | Die-cast aluminum, salt water resistant |
| Housing surface material | uncoated |

Environmental Product Compliance

| | |
|------------|---|
| China RoHS | Environmentally Friendly Use Period = 50 years |
| | For details about hazardous substances go to tab "Downloads", Category "Manufacturer's declaration" |

Drawings

Dimensional drawing



Dimensional drawing

Housing - HC-STA-B24-HLFD-1TTP16-EL-AL - 1412780

Classifications

eCl@ss

| | |
|---------------|----------|
| eCl@ss 10.0.1 | 27440202 |
| eCl@ss 5.1 | 27261200 |
| eCl@ss 6.0 | 27261200 |
| eCl@ss 7.0 | 27440202 |
| eCl@ss 8.0 | 27440202 |
| eCl@ss 9.0 | 27440202 |

ETIM

| | |
|----------|----------|
| ETIM 5.0 | EC000437 |
| ETIM 6.0 | EC000437 |
| ETIM 7.0 | EC000437 |

UNSPSC

| | |
|-------------|----------|
| UNSPSC 13.2 | 31261501 |
| UNSPSC 18.0 | 31261501 |
| UNSPSC 19.0 | 31261501 |
| UNSPSC 20.0 | 31261501 |
| UNSPSC 21.0 | 31261501 |

Approvals

Approvals


Approvals

UL Recognized / cUL Recognized / EAC / DNV GL / cULus Recognized

Ex Approvals

Approval details

| | | | |
|---------------|---|---|---------|
| UL Recognized |  | http://database.ul.com/cgi-bin/XYV/template/LISEXT/1FRAME/index.htm | E255026 |
|---------------|---|---|---------|

| | | | |
|----------------|---|---|---------|
| cUL Recognized |  | http://database.ul.com/cgi-bin/XYV/template/LISEXT/1FRAME/index.htm | E255026 |
|----------------|---|---|---------|

Housing - HC-STA-B24-HLFD-1TTP16-EL-AL - 1412780

Approvals

| | | |
|-----|--|--------------------------|
| EAC | | RU C- DE.AI30.B.01102 |
|-----|--|--------------------------|

| | | | |
|--------|--|---|------------|
| DNV GL | | https://approvalfinder.dnvgl.com/ | TAE000037S |
|--------|--|---|------------|

| | |
|------------------|--|
| cULus Recognized | |
|------------------|--|

Accessories

Accessories

Full screw connection

Cable gland - G-INS-PG16-S68N-NNES-S - 1411174



Cable gland, cable gland material: Nickel-plated brass, external cable diameter 10 mm ... 14 mm, shielding: no, connecting thread: Pg16, color: silver, with O-ring

Cable gland - G-INSEC-PG16-S68N-NNES-S - 1411199



Cable gland, cable gland material: Nickel-plated brass, external cable diameter 10 mm ... 14 mm, shielding: yes, connecting thread: Pg16, color: silver, with O-ring

Labeled device marker

Plastic label - US-EMLP (20X9) CUS - 0830085



Plastic label, can be ordered: By card, white, labeled according to customer specifications, mounting type: adhesive, lettering field size: 20 x 9 mm, Number of individual labels: 75

Housing - HC-STA-B24-HLFD-1TTP16-EL-AL - 1412780

Accessories

Protective cover

Protective covers - HC-B24-HCLWD-PLR-BK - 1414640



Protective cover B24, with double locking latch, protective cover material: PA, height: 21.6 mm, seal: yes, diameter of retaining cord eyelet: 30 mm
