

## Housing - HC-STA-B24-HLFD-1STM25-EL-AL - 1412773

Please be informed that the data shown in this PDF Document is generated from our Online Catalog. Please find the complete data in the user's documentation. Our General Terms of Use for Downloads are valid (<http://phoenixcontact.com/download>)



Sleeve housing B24, for double locking latch, material: Die-cast aluminum, salt water resistant, cable outlets: 1, lateral, height: 60 mm, cable gland: none, support sleeve: no, 1x M25, Standard

### Your advantages

- good shielding in the event of electromagnetic interference



### Key Commercial Data

Packing unit	1 pc
GTIN	 4 055626 060392
GTIN	4055626060392
Weight per Piece (excluding packing)	240.000 g
Custom tariff number	85389099
Country of origin	Poland

### Technical data

#### Dimensions

Height	60 mm
Width	44 mm
Length	120 mm

#### Ambient conditions

Degree of protection (IP)	IP66
	IP67
Degree of protection (NEMA)	4 (UL 50e)
	4X (UL 50e)

# Housing - HC-STA-B24-HLFD-1STM25-EL-AL - 1412773

## Technical data

### Ambient conditions

	12 (UL 50e)
Ambient temperature (operation)	-40 °C ... 125 °C

### General

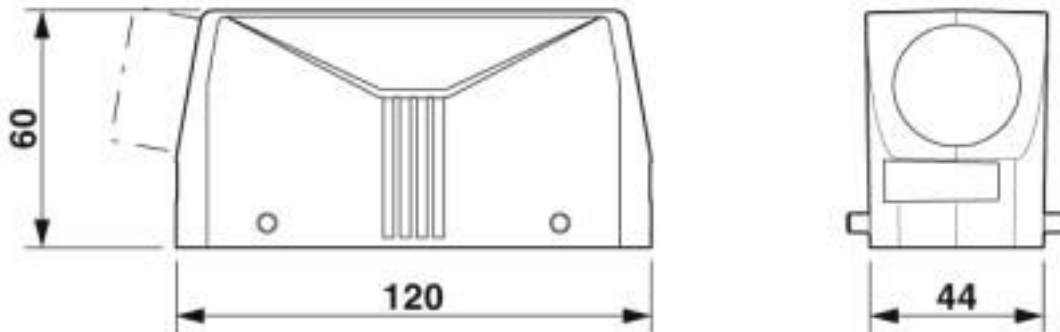
Note	for contact inserts HC-B24, BB46, D64, DD108, HV10/16, M
Size	B24
Housing type	Sleeve housing
Color	gray aluminum
Locking type	for double locking latch
No. of cable outlets	1
Cable outlet	lateral
Screw connection	none
Type of the screw connection	1x M25
Housing material	Die-cast aluminum, salt water resistant
Housing surface material	uncoated

### Environmental Product Compliance

China RoHS	Environmentally friendly use period: unlimited = EFUP-e
	No hazardous substances above threshold values

## Drawings

Dimensional drawing



Dimensional drawing

## Classifications

eCl@ss

eCl@ss 10.0.1	27440202
---------------	----------

# Housing - HC-STA-B24-HLFD-1STM25-EL-AL - 1412773

## Classifications

### eCl@ss

eCl@ss 5.1	27261200
eCl@ss 6.0	27261200
eCl@ss 7.0	27440202
eCl@ss 8.0	27440202
eCl@ss 9.0	27440202

### ETIM

ETIM 5.0	EC000437
ETIM 6.0	EC000437
ETIM 7.0	EC000437

### UNSPSC

UNSPSC 13.2	31261501
UNSPSC 18.0	31261501
UNSPSC 19.0	31261501
UNSPSC 20.0	31261501
UNSPSC 21.0	31261501

## Approvals

### Approvals

#### Approvals

UL Recognized / cUL Recognized / EAC / DNV GL / cULus Recognized

#### Ex Approvals

### Approval details

UL Recognized		<a href="http://database.ul.com/cgi-bin/XYV/template/LISEXT/1FRAME/index.htm">http://database.ul.com/cgi-bin/XYV/template/LISEXT/1FRAME/index.htm</a>	E255026
---------------	--	---	---------

cUL Recognized		<a href="http://database.ul.com/cgi-bin/XYV/template/LISEXT/1FRAME/index.htm">http://database.ul.com/cgi-bin/XYV/template/LISEXT/1FRAME/index.htm</a>	E255026
----------------	--	---	---------

# Housing - HC-STA-B24-HLFD-1STM25-EL-AL - 1412773

## Approvals

EAC		RU C- DE.AI30.B.01102
-----	--	--------------------------

DNV GL		<a href="https://approvalfinder.dnvgl.com/">https://approvalfinder.dnvgl.com/</a>	TAE000037S
--------	--	---	------------

cULus Recognized	
------------------	--

## Accessories

### Accessories

#### Full screw connection

Cable gland - G-INS-M25-M68N-NNES-S - 1411165



Cable gland, cable gland material: Nickel-plated brass, external cable diameter 11 mm ... 17 mm, shielding: no, connecting thread: M25 x 1.5, color: silver, with O-ring

Cable gland - G-INSEC-M25-S68N-NCRS-S - 1411190



Cable gland, cable gland material: Nickel-plated brass, external cable diameter 11 mm ... 16 mm, shielding: yes, connecting thread: M25 x 1.5, color: silver, with O-ring

### Labeled device marker

Plastic label - US-EMLP (20X9) CUS - 0830085



Plastic label, can be ordered: By card, white, labeled according to customer specifications, mounting type: adhesive, lettering field size: 20 x 9 mm, Number of individual labels: 75

## Housing - HC-STA-B24-HLFD-1STM25-EL-AL - 1412773

### Accessories

---

#### Protective cover

Protective covers - HC-B24-HCLWD-PLR-BK - 1414640



Protective cover B24, with double locking latch, protective cover material: PA, height: 21.6 mm, seal: yes, diameter of retaining cord eyelet: 30 mm

---