

Housing - HC-STA-B10-HLFS-1STM25-EL-AL - 1412625

Please be informed that the data shown in this PDF Document is generated from our Online Catalog. Please find the complete data in the user's documentation. Our General Terms of Use for Downloads are valid (<http://phoenixcontact.com/download>)



Sleeve housing B10, for single locking latch, material: Die-cast aluminum, salt water resistant, cable outlets: 1, lateral, height: 57 mm, cable gland: none, support sleeve: no, 1x M25, Standard

Your advantages

- good shielding in the event of electromagnetic interference



Key Commercial Data

| | |
|--------------------------------------|---|
| Packing unit | 1 pc |
| GTIN |  4 055626 059525 |
| GTIN | 4055626059525 |
| Weight per Piece (excluding packing) | 160.000 g |
| Custom tariff number | 85389099 |
| Country of origin | Poland |

Technical data

Dimensions

| | |
|--------|-------|
| Height | 57 mm |
| Width | 44 mm |
| Length | 73 mm |

Ambient conditions

| | |
|-----------------------------|-------------|
| Degree of protection (IP) | IP66 |
| | IP67 |
| Degree of protection (NEMA) | 4 (UL 50e) |
| | 4X (UL 50e) |

Housing - HC-STA-B10-HLFS-1STM25-EL-AL - 1412625

Technical data

Ambient conditions

| | |
|---------------------------------|-------------------|
| | 12 (UL 50e) |
| Ambient temperature (operation) | -40 °C ... 125 °C |

General

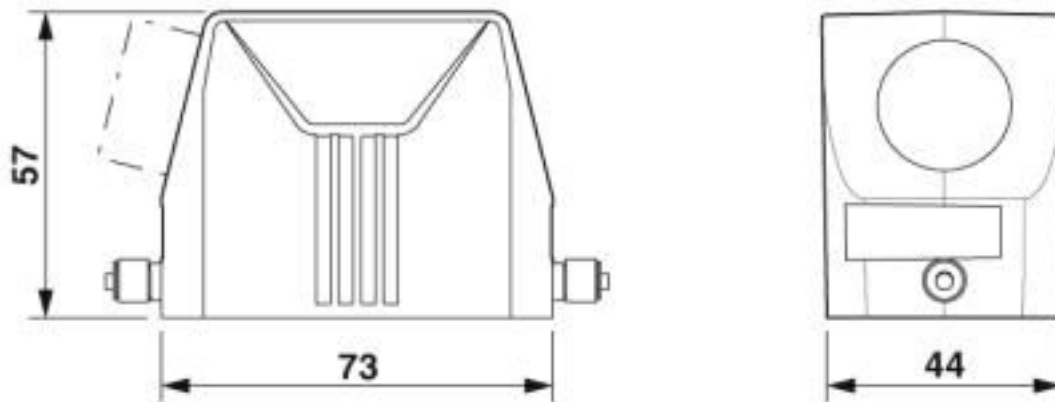
| | |
|------------------------------|--|
| Note | For contact inserts HC-B10, BB18, DD42, M, K8/24 |
| Size | B10 |
| Housing type | Sleeve housing |
| Color | gray aluminum |
| Locking type | for single locking latch |
| No. of cable outlets | 1 |
| Cable outlet | lateral |
| Screw connection | none |
| Type of the screw connection | 1x M25 |
| Housing material | Die-cast aluminum, salt water resistant |
| Housing surface material | uncoated |

Environmental Product Compliance

| | |
|------------|---|
| China RoHS | Environmentally friendly use period: unlimited = EFUP-e |
| | No hazardous substances above threshold values |

Drawings

Dimensional drawing



Dimensional drawing

Housing - HC-STA-B10-HLFS-1STM25-EL-AL - 1412625

Classifications

eCl@ss

| | |
|---------------|----------|
| eCl@ss 10.0.1 | 27440202 |
| eCl@ss 5.1 | 27261200 |
| eCl@ss 6.0 | 27261200 |
| eCl@ss 7.0 | 27440202 |
| eCl@ss 8.0 | 27440202 |
| eCl@ss 9.0 | 27440202 |

ETIM

| | |
|----------|----------|
| ETIM 5.0 | EC000437 |
| ETIM 6.0 | EC000437 |
| ETIM 7.0 | EC000437 |

UNSPSC

| | |
|-------------|----------|
| UNSPSC 13.2 | 31261501 |
| UNSPSC 18.0 | 31261501 |
| UNSPSC 19.0 | 31261501 |
| UNSPSC 20.0 | 31261501 |
| UNSPSC 21.0 | 31261501 |

Approvals

Approvals

Approvals

UL Recognized / cUL Recognized / EAC / DNV GL / cULus Recognized

Ex Approvals

Approval details

| | | | |
|---------------|---|---|---------|
| UL Recognized |  | http://database.ul.com/cgi-bin/XYV/template/LISEXT/1FRAME/index.htm | E255026 |
|---------------|---|---|---------|

| | | | |
|----------------|---|---|---------|
| cUL Recognized |  | http://database.ul.com/cgi-bin/XYV/template/LISEXT/1FRAME/index.htm | E255026 |
|----------------|---|---|---------|

Housing - HC-STA-B10-HLFS-1STM25-EL-AL - 1412625

Approvals

| | | |
|-----|--|--------------------------|
| EAC | | RU C- DE.AI30.B.01102 |
|-----|--|--------------------------|

| | | | |
|--------|--|---|------------|
| DNV GL | | https://approvalfinder.dnvgl.com/ | TAE000037S |
|--------|--|---|------------|

| | |
|------------------|--|
| cULus Recognized | |
|------------------|--|

Accessories

Accessories

Full screw connection

Cable gland - G-INS-M25-M68N-NNES-S - 1411165



Cable gland, cable gland material: Nickel-plated brass, external cable diameter 11 mm ... 17 mm, shielding: no, connecting thread: M25 x 1.5, color: silver, with O-ring

Cable gland - G-INSEC-M25-S68N-NCRS-S - 1411190



Cable gland, cable gland material: Nickel-plated brass, external cable diameter 11 mm ... 16 mm, shielding: yes, connecting thread: M25 x 1.5, color: silver, with O-ring

Cable gland - HC-M-KV-M25(1ASI) - 1584020



Metal screw connection for an AS-Interface flat-ribbon conductor, thread type M25

Housing - HC-STA-B10-HLFS-1STM25-EL-AL - 1412625

Accessories

Labeled device marker

Plastic label - US-EMLP (20X9) CUS - 0830085



Plastic label, can be ordered: By card, white, labeled according to customer specifications, mounting type: adhesive, lettering field size: 20 x 9 mm, Number of individual labels: 75

Multiple screw connection

Cable gland - HC-M-KV-M25(1X10/1X11) - 1580228



Special cable screw connection M25, brass nickel-plated, grommet with 10 mm and 11 mm holes

Protective cover

Protective covers - HC-B10-HCLWS-PLR-BK - 1414635



Protective cover B10, with single locking latch, protective cover material: PA, height: 21.6 mm, seal: yes, diameter of retaining cord eyelet: 30 mm