

## Housing - HC-STA-B10-CHWS-1TTP16-ELC-AL - 1412587

Please be informed that the data shown in this PDF Document is generated from our Online Catalog. Please find the complete data in the user's documentation. Our General Terms of Use for Downloads are valid (<http://phoenixcontact.com/download>)



Coupling housings B10, with single locking latch, material: Die-cast aluminum, salt water resistant, cable outlets: 1, straight, height: 73 mm, cable gland: none, support sleeve: no, 1x Pg16, Standard

### Your advantages

- good shielding in the event of electromagnetic interference



### Key Commercial Data

|                      |   |
|----------------------|---|
| Packing unit         | 1 pc  |
| GTIN                 | <br>4 055626 030623 |
| GTIN                 | 4055626030623   |
| Custom tariff number | 85389099  |
| Country of origin    | China   |

### Technical data

#### Dimensions

|        |       |
|--------|-------|
| Height | 73 mm |
| Width  | 44 mm |
| Length | 73 mm |

#### Ambient conditions

|                             |             |
|-----------------------------|-------------|
| Degree of protection (IP)   | IP66        |
|                             | IP67        |
| Degree of protection (NEMA) | 4 (UL 50e)  |
|                             | 4X (UL 50e) |
|                             | 12 (UL 50e) |

# Housing - HC-STA-B10-CHWS-1TTP16-ELC-AL - 1412587

## Technical data

### Ambient conditions

|                                 |                   |
|---------------------------------|-------------------|
| Ambient temperature (operation) | -40 °C ... 125 °C |
|---------------------------------|-------------------|

### General

|                              |  |
|------------------------------|--|
| Note                         | For contact inserts HC-B10, BB18, DD42, M, K8/24 |
| Size                         | B10  |
| Housing type                 | Coupling housings                                |
| Color                        | gray aluminum                                    |
| Locking type                 | with single locking latch                        |
| No. of cable outlets         | 1  |
| Cable outlet                 | straight   |
| Screw connection             | none   |
| Type of the screw connection | 1x Pg16  |
| Housing material             | Die-cast aluminum, salt water resistant          |
| Housing surface material     | uncoated   |
| Seal material                | NBR, conductive                                  |
| Material lock                | PA   |

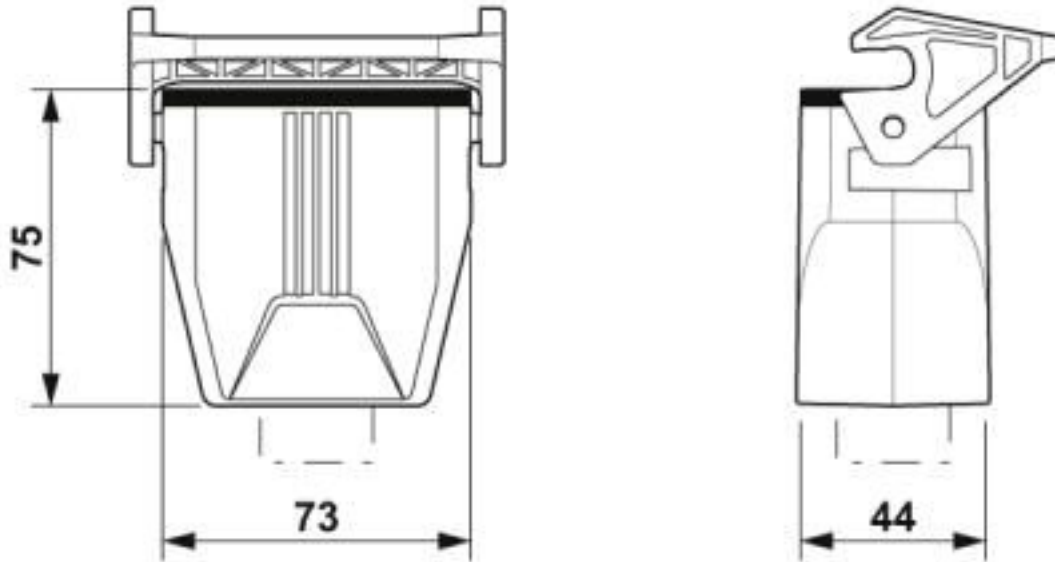
### Environmental Product Compliance

|            |   |
|------------|---|
| China RoHS | Environmentally Friendly Use Period = 50 years  |
|            | For details about hazardous substances go to tab "Downloads", Category "Manufacturer's declaration" |

## Drawings

# Housing - HC-STA-B10-CHWS-1TTP16-ELC-AL - 1412587

Dimensional drawing



Dimensional drawing

## Classifications

eCl@ss

|               |          |
|---------------|----------|
| eCl@ss 10.0.1 | 27440202 |
| eCl@ss 5.1    | 27261200 |
| eCl@ss 6.0    | 27261200 |
| eCl@ss 7.0    | 27440202 |
| eCl@ss 8.0    | 27440202 |
| eCl@ss 9.0    | 27440202 |

ETIM

|          |          |
|----------|----------|
| ETIM 5.0 | EC000437 |
| ETIM 6.0 | EC000437 |
| ETIM 7.0 | EC000437 |

UNSPSC

|             |          |
|-------------|----------|
| UNSPSC 13.2 | 31261501 |
| UNSPSC 18.0 | 31261501 |
| UNSPSC 19.0 | 31261501 |
| UNSPSC 20.0 | 31261501 |
| UNSPSC 21.0 | 31261501 |

# Housing - HC-STA-B10-CHWS-1TTP16-ELC-AL - 1412587

## Approvals

### Approvals

---

#### Approvals

UL Recognized / cUL Recognized / EAC / DNV GL / cULus Recognized

---


#### Ex Approvals

---


### Approval details

|               |   |   |         |
|---------------|---|---|---------|
| UL Recognized |  | <a href="http://database.ul.com/cgi-bin/XYV/template/LISEXT/1FRAME/index.htm">http://database.ul.com/cgi-bin/XYV/template/LISEXT/1FRAME/index.htm</a> | E255026 |
|---------------|---|---|---------|

|                |  |   |         |
|----------------|--|---|---------|
| cUL Recognized |  | <a href="http://database.ul.com/cgi-bin/XYV/template/LISEXT/1FRAME/index.htm">http://database.ul.com/cgi-bin/XYV/template/LISEXT/1FRAME/index.htm</a> | E255026 |
|----------------|--|---|---------|

|     |   |  |                          |
|-----|---|--|--------------------------|
| EAC |  |  | RU C-<br>DE.AI30.B.01102 |
|-----|---|--|--------------------------|

|        |   |   |            |
|--------|---|---|------------|
| DNV GL |  | <a href="https://approvalfinder.dnvgl.com/">https://approvalfinder.dnvgl.com/</a> | TAE000037S |
|--------|---|---|------------|

|                  |   |  |  |
|------------------|---|--|--|
| cULus Recognized |  |  |  |
|------------------|---|--|--|

## Accessories

### Accessories

Full screw connection

## Housing - HC-STA-B10-CHWS-1TTP16-ELC-AL - 1412587

### Accessories

Cable gland - G-INS-PG16-S68N-NNES-S - 1411174



Cable gland, cable gland material: Nickel-plated brass, external cable diameter 10 mm ... 14 mm, shielding: no, connecting thread: Pg16, color: silver, with O-ring

---

Cable gland - G-INSEC-PG16-S68N-NNES-S - 1411199



Cable gland, cable gland material: Nickel-plated brass, external cable diameter 10 mm ... 14 mm, shielding: yes, connecting thread: Pg16, color: silver, with O-ring

---

### Housing latches

Replacement part - HC-STA-B10-SL-PLBK - 1412804



Single locking latch for B10 housing, HC-EVO...AL and HC-STA...AL

---

### Labeled device marker

Plastic label - US-EMLP (20X9) CUS - 0830085



Plastic label, can be ordered: By card, white, labeled according to customer specifications, mounting type: adhesive, lettering field size: 20 x 9 mm, Number of individual labels: 75

---

### Seal

## Housing - HC-STA-B10-CHWS-1TTP16-ELC-AL - 1412587

### Accessories

Profile gasket - HC-B10-SP-CBK - 1411479



Profile gasket for HEAVYCON EVO supporting base element type B10, conductive

---

---