

Housing screw connection - SACC-FP-M-M8/PRESS SMD - 1412500

Please be informed that the data shown in this PDF Document is generated from our Online Catalog. Please find the complete data in the user's documentation. Our General Terms of Use for Downloads are valid (<http://phoenixcontact.com/download>)




M8 pin, press-in mounting

Your advantages

- ✓ Reduced mounting costs thanks to two-piece device connector
- ✓ Easy device integration, thanks to mechanical port screw connections with press-in contour
- ✓ Efficient PCB assembly: two-piece connectors for SMT soldering

Key Commercial Data

Packing unit	1 pc
Minimum order quantity	10 pc
GTIN	 4 046356 989091
GTIN	4046356989091
Weight per Piece (excluding packing)	2.000 g
Custom tariff number	74199990
Country of origin	Germany

Technical data

Ambient conditions

Degree of protection	IP67 (correctly plugged in and locked)
----------------------	--

Material

Material	Brass, nickel-plated
----------	----------------------

Environmental Product Compliance

REACH SVHC	Lead 7439-92-1
------------	----------------

Housing screw connection - SACC-FP-M-M8/PRESS SMD - 1412500

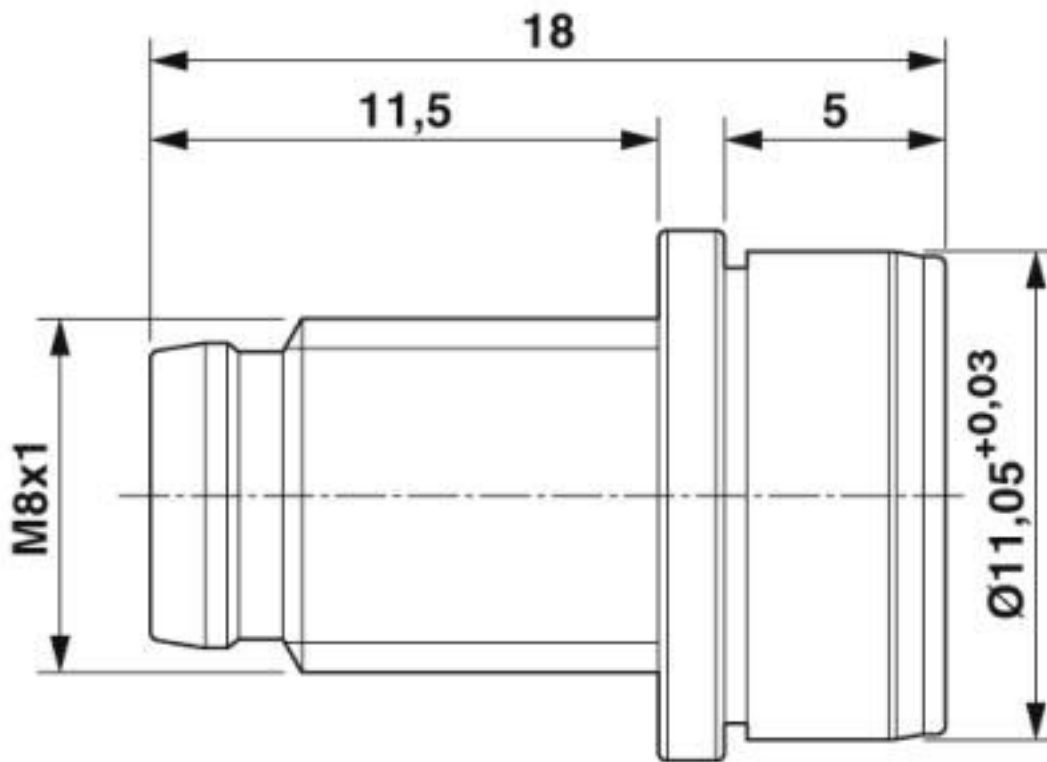
Technical data

Environmental Product Compliance

China RoHS	Environmentally Friendly Use Period = 50 years
	For details about hazardous substances go to tab "Downloads", Category "Manufacturer's declaration"

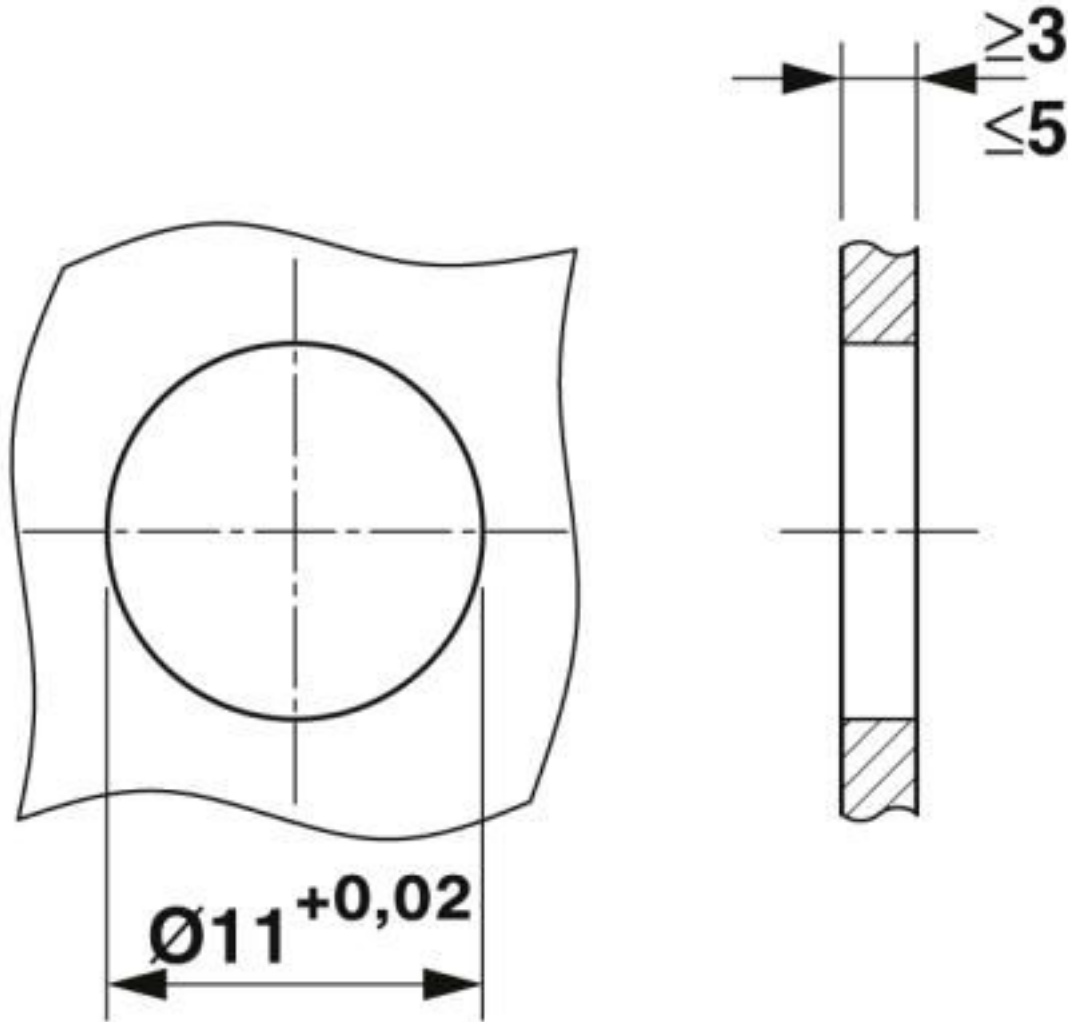
Drawings

Dimensional drawing



Housing screw connection - SACC-FP-M-M8/PRESS SMD - 1412500

Dimensional drawing



Housing bore holes

Classifications

eCl@ss

eCl@ss 10.0.1	27371392
eCl@ss 4.0	27378000
eCl@ss 4.1	27378000
eCl@ss 5.0	27379100
eCl@ss 5.1	27379100
eCl@ss 6.0	27379200

Housing screw connection - SACC-FP-M-M8/PRESS SMD - 1412500

Classifications

eCl@ss

eCl@ss 7.0	27379201
eCl@ss 8.0	27379201
eCl@ss 9.0	27379201

ETIM

ETIM 5.0	EC002498
ETIM 6.0	EC002498
ETIM 7.0	EC002498

UNSPSC

UNSPSC 13.2	39121421
UNSPSC 18.0	39121421
UNSPSC 19.0	39121421
UNSPSC 20.0	39121421
UNSPSC 21.0	39121421

Approvals


Approvals

Approvals

EAC

Ex Approvals

Approval details

EAC		B.01687
-----	---	---------