

Flush-type connector - SACC-CIP-M8FS-6P SMD SH R32 - 1412261

Please be informed that the data shown in this PDF Document is generated from our Online Catalog. Please find the complete data in the user's documentation. Our General Terms of Use for Downloads are valid (<http://phoenixcontact.com/download>)




Flush-type connector, 6-position, Socket, straight, M8, A-coded, SMD

Your advantages

- ✓ Reduced mounting costs thanks to two-piece device connector
- ✓ Packaging available for automated pick and place assembly
- ✓ All common pin assignments and codings available
- ✓ Easy device integration thanks to mechanical port screw connections with threaded attachment, press-in contour or direct integration in the front plate
- ✓ Additional gasket for the device when not plugged in

Key Commercial Data

Packing unit	1 pc
Minimum order quantity	100 pc
GTIN	 4 046356 989022
GTIN	4046356989022
Weight per Piece (excluding packing)	5.800 g
Custom tariff number	85366990
Country of origin	Germany

Technical data

Ambient conditions

Ambient temperature (operation)	-25 °C ... 105 °C (Plug / socket)
	-40 °C ... 105 °C (without mechanical actuation)
Degree of protection	IP67 (correctly plugged in and locked)

Flush-type connector - SACC-CIP-M8FS-6P SMD SH R32 - 1412261

Technical data

General

Note	The electrical and mechanical data specified assume that the connector pair is correctly locked and mounted. If the connector is unlocked and if there is a danger of contamination, the connector must be sealed using a protective cap > IP54. Influences arising from litz wires, cables or PCB assembly must also be taken into consideration.
Rated current at 40°C	1.5 A
Rated voltage	30 V AC
	30 V DC
Number of positions	6
Coding	A - standard
Standards/regulations	M8 connector IEC 61076-2-104
Overvoltage category	II
Connection method	SMD
Type of packaging	Belt

Material

Flammability rating according to UL 94	V0
Contact material	CuZn
Contact surface material	Au
Contact carrier material	PA
Sealing material	FKM

Cable

Standards/specifications	M8 connector IEC 61076-2-104
--------------------------	------------------------------

Standards and Regulations

Standards/specifications	M8 connector IEC 61076-2-104
Flammability rating according to UL 94	V0

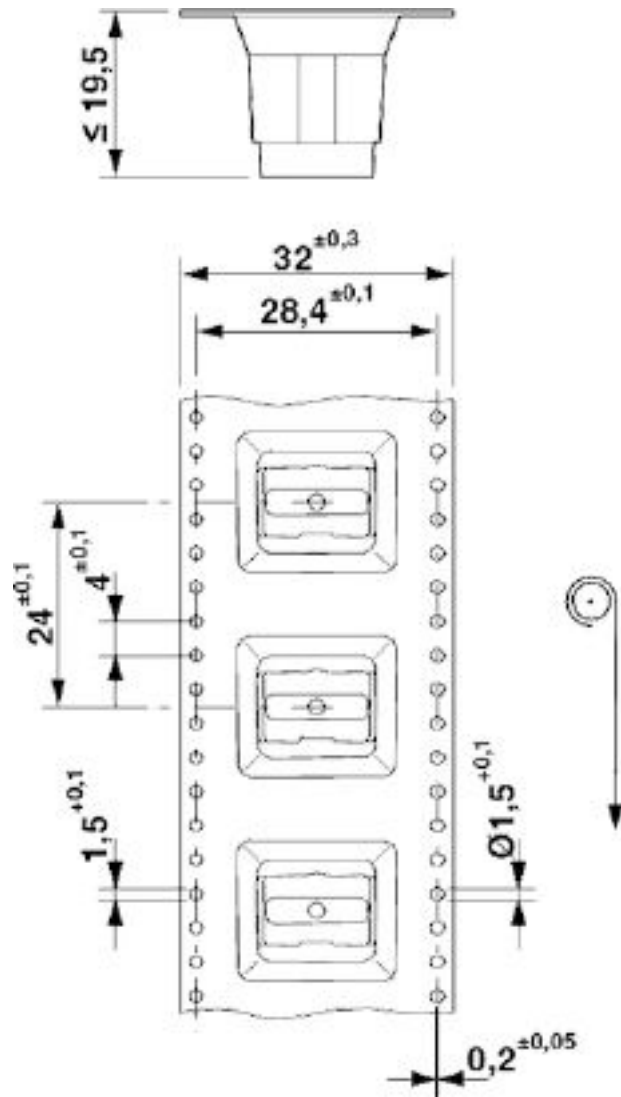
Environmental Product Compliance

REACH SVHC	Lead 7439-92-1
China RoHS	Environmentally Friendly Use Period = 50 years
	For details about hazardous substances go to tab "Downloads", Category "Manufacturer's declaration"

Drawings

Flush-type connector - SACC-CIP-M8FS-6P SMD SH R32 - 1412261

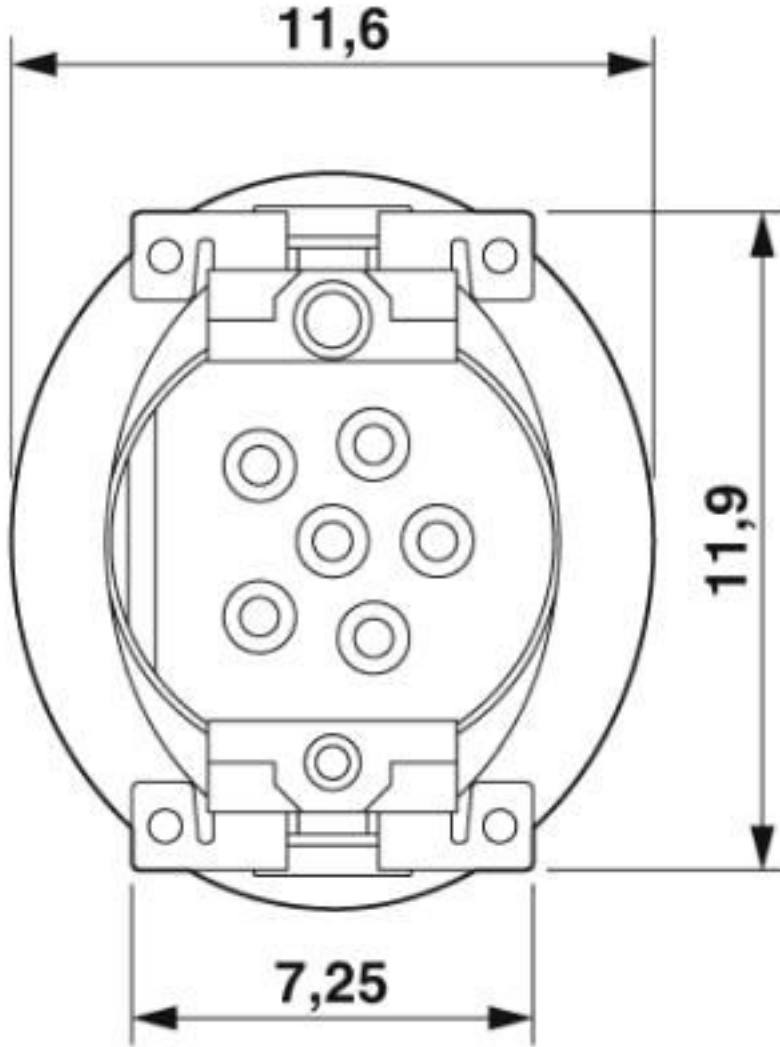
Dimensional drawing



SMD tape-on-reel packing

Flush-type connector - SACC-CIP-M8FS-6P SMD SH R32 - 1412261

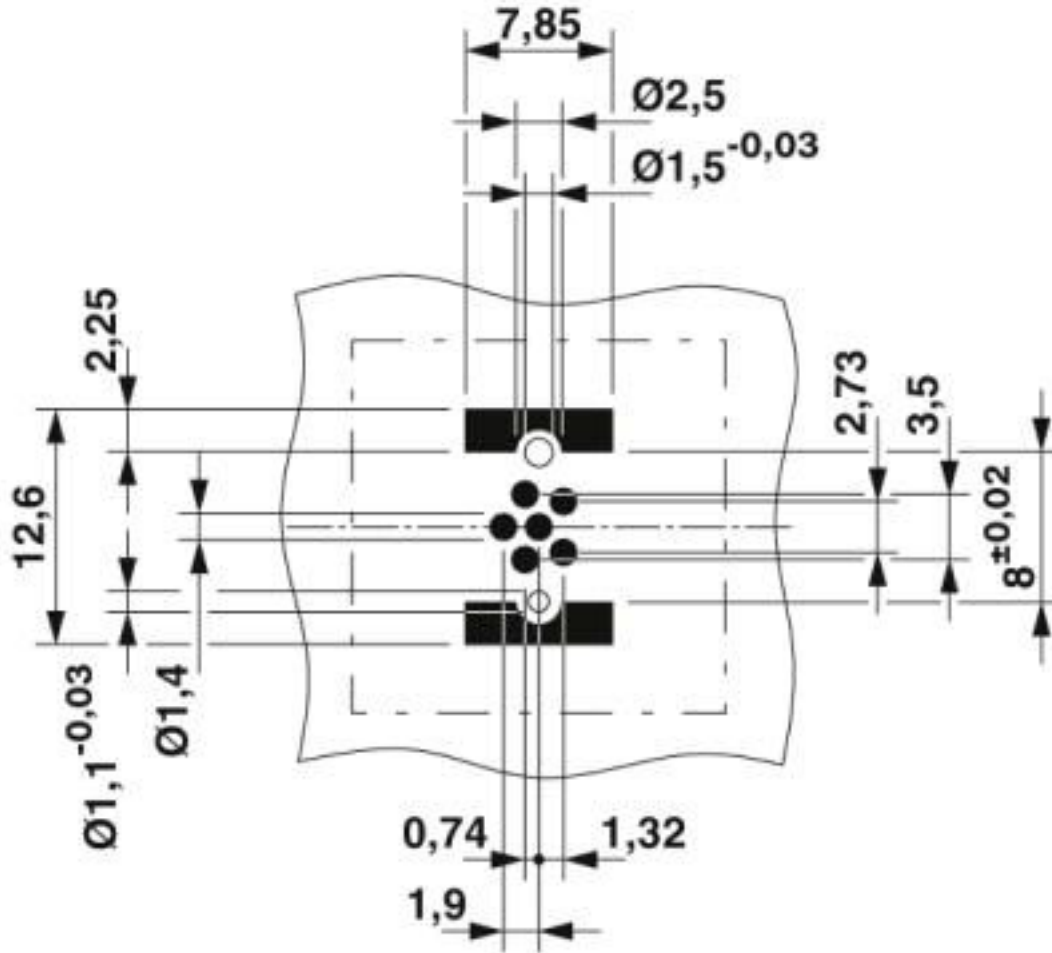
Dimensional drawing



View of solder side

Flush-type connector - SACC-CIP-M8FS-6P SMD SH R32 - 1412261

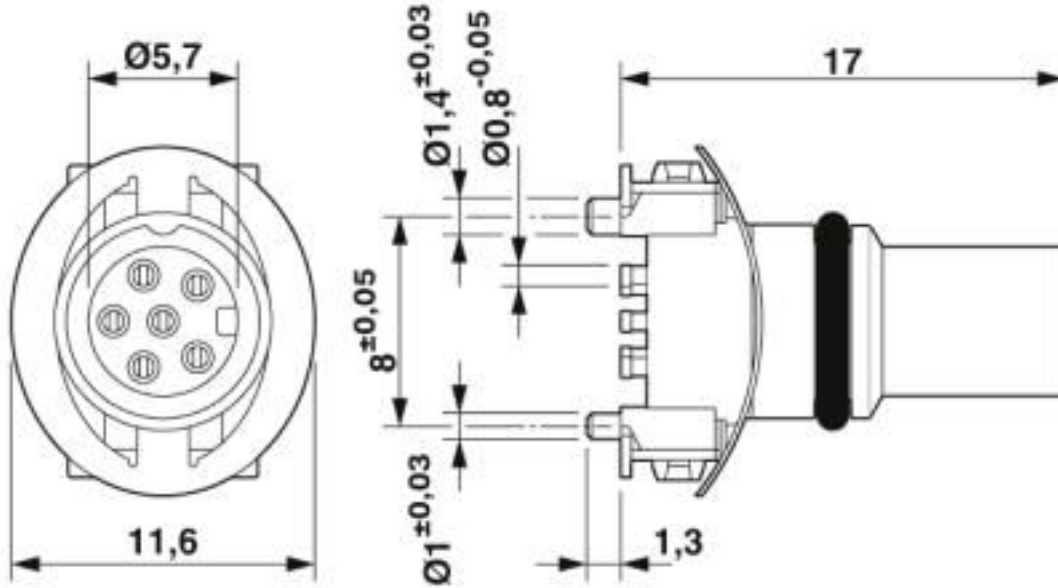
Drilling diagram



Drilling diagram

Flush-type connector - SACC-CIP-M8FS-6P SMD SH R32 - 1412261

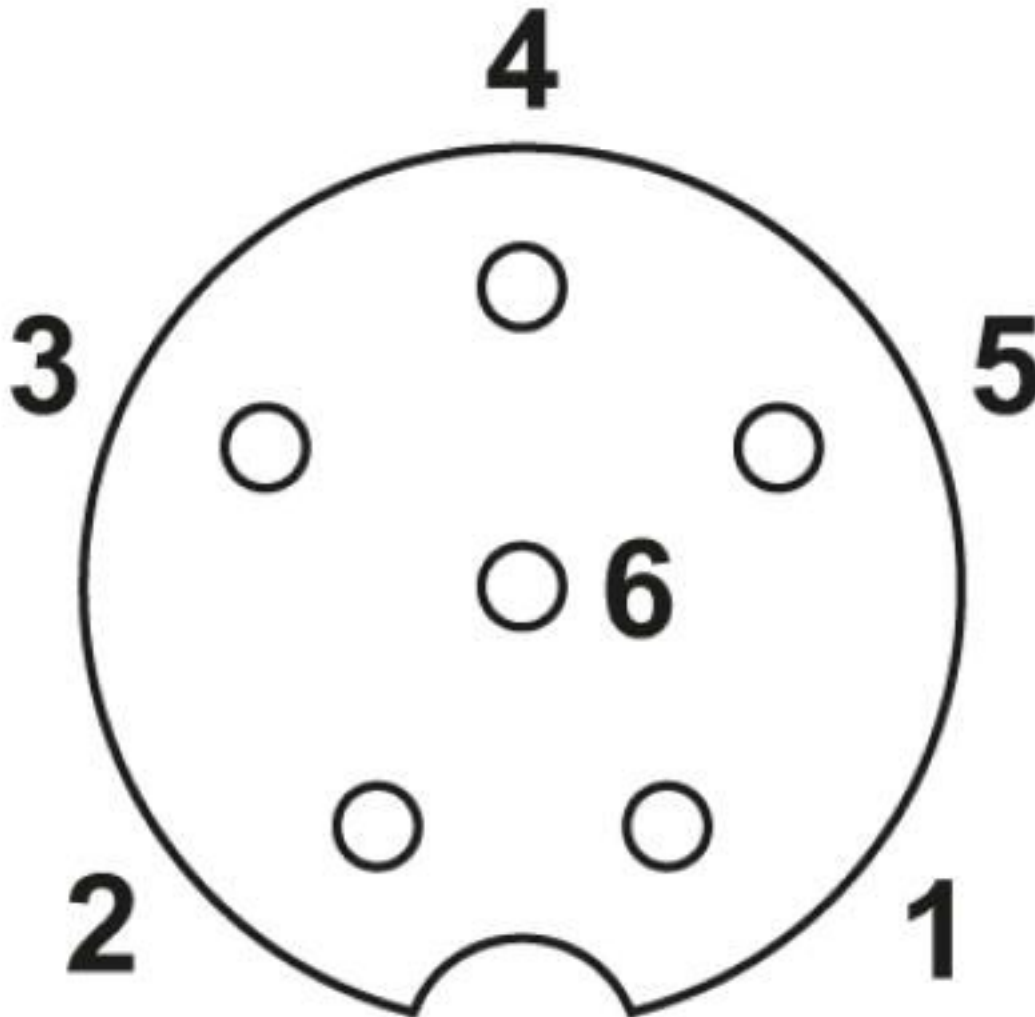
Dimensional drawing



M8 flush-type socket

Flush-type connector - SACC-CIP-M8FS-6P SMD SH R32 - 1412261

Schematic diagram



Pin assignment M8 socket, 6-pos.

Classifications

eCl@ss

eCl@ss 10.0.1	27440102
eCl@ss 4.0	27140800
eCl@ss 4.1	27140800
eCl@ss 5.0	27143400
eCl@ss 5.1	27143400
eCl@ss 6.0	27279200

Flush-type connector - SACC-CIP-M8FS-6P SMD SH R32 - 1412261

Classifications

eCl@ss

eCl@ss 7.0	27440103
eCl@ss 8.0	27440103
eCl@ss 9.0	27440102

ETIM

ETIM 5.0	EC002061
ETIM 6.0	EC002061

UNSPSC

UNSPSC 13.2	39121413
UNSPSC 18.0	39121413
UNSPSC 19.0	39121413
UNSPSC 20.0	39121413
UNSPSC 21.0	39121413

Approvals


Approvals


Approvals

EAC / cULus Recognized

Ex Approvals

Approval details

EAC		B.01687
-----	---	---------

cULus Recognized		http://database.ul.com/cgi-bin/XYVV/template/LISEXT/1FRAME/index.htm	E221474-20160506
Nominal voltage UN	30 V		
Nominal current IN	1.5 A		

Flush-type connector - SACC-CIP-M8FS-6P SMD SH R32 - 1412261

Accessories

Accessories

Panel mounting base

Housing screw connection - SACC-BP-F-M8/M12 SMD - 1412506



M8 socket, rear mounting

Housing screw connection - SACC-FP-F-M8/M10 SMD - 1412504



M8 female connector, front mounting SMD with M10 screw fastening

Housing screw connection - SACC-FP-F-M8/PRESS SMD - 1412501



M8 socket, press-in mounting
