

## Flush-type connector - SACC-CI-M8FS-8P SMD R32 - 1412247

Please be informed that the data shown in this PDF Document is generated from our Online Catalog. Please find the complete data in the user's documentation. Our General Terms of Use for Downloads are valid (<http://phoenixcontact.com/download>)




Flush-type connector, 8-position, Socket, straight, M8, A-coded, PCB mounting, SMD

### Your advantages

- ✓ Reduced mounting costs thanks to two-piece device connector
- ✓ Packaging available for automated pick and place assembly
- ✓ All common pin assignments and codings available
- ✓ Easy device integration thanks to mechanical port screw connections with threaded attachment, press-in contour or direct integration in the front plate
- ✓ Optional shield connection and seal for the device when not plugged in

### Key Commercial Data

|                                      |   |
|--------------------------------------|---|
| Packing unit                         | 1 pc  |
| Minimum order quantity               | 100 pc  |
| GTIN                                 | <br>4 046356 988889 |
| GTIN                                 | 4046356988889   |
| Weight per Piece (excluding packing) | 5.800 g   |
| Custom tariff number                 | 85366990  |
| Country of origin                    | Germany   |

### Technical data

#### Ambient conditions

|                                 |  |
|---------------------------------|--|
| Ambient temperature (operation) | -55 °C ... 105 °C (Plug / socket)                |
|                                 | -55 °C ... 105 °C (without mechanical actuation) |
| Degree of protection            | IP67 (correctly plugged in and locked)           |

# Flush-type connector - SACC-CI-M8FS-8P SMD R32 - 1412247

## Technical data

### General

|                             |  |
|-----------------------------|--|
| Note                        | The electrical and mechanical data specified assume that the connector pair is correctly locked and mounted. If the connector is unlocked and if there is a danger of contamination, the connector must be sealed using a protective cap > IP54. Influences arising from litz wires, cables or PCB assembly must also be taken into consideration. |
| Rated current at 40°C       | 1.5 A  |
| Rated voltage               | 30 V AC  |
|                             | 30 V DC  |
| Number of positions         | 8  |
| Insulation resistance       | ≤ 100 MΩ   |
| Coding                      | A - standard   |
| Standards/regulations       | M8 connector IEC 61076-2-104   |
| Overvoltage category        | II   |
| Connection method           | SMD  |
| Insertion/withdrawal cycles | > 100  |
| Mounting type               | PCB mounting   |
| Type of packaging           | Belt   |

### Material

|  |      |
|--|------|
| Flammability rating according to UL 94 | V0   |
| Contact material                       | CuZn |
| Contact surface material               | Au   |
| Contact carrier material               | PA   |

### Cable

|                          |                              |
|--------------------------|------------------------------|
| Standards/specifications | M8 connector IEC 61076-2-104 |
|--------------------------|------------------------------|

### Standards and Regulations

|  |                              |
|--|------------------------------|
| Standards/specifications               | M8 connector IEC 61076-2-104 |
| Flammability rating according to UL 94 | V0                           |

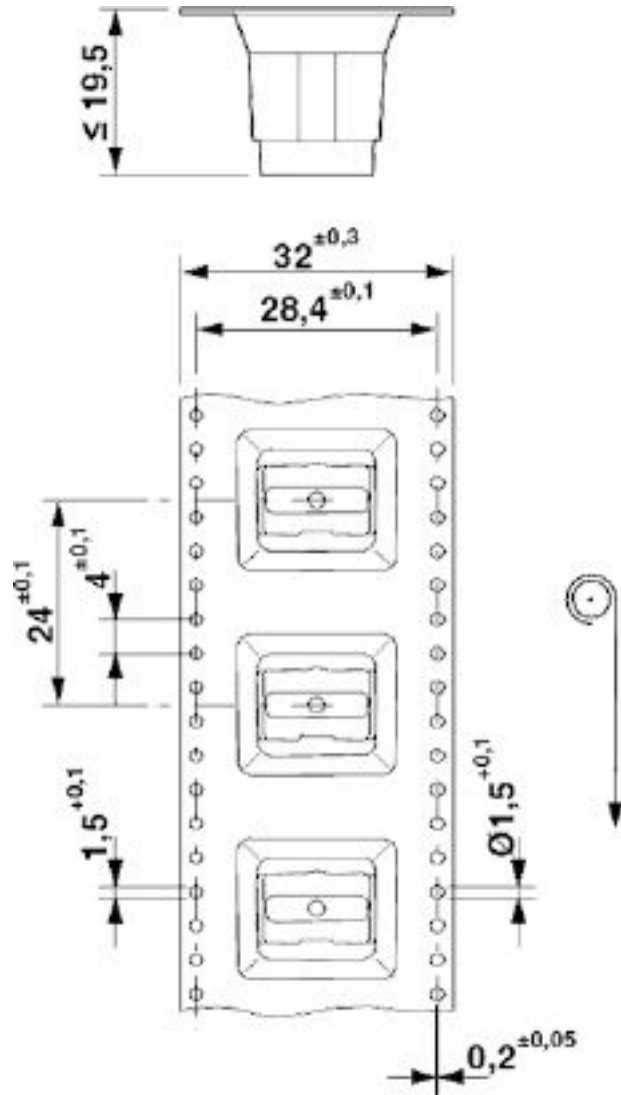
### Environmental Product Compliance

|            |   |
|------------|---|
| REACH SVHC | Lead 7439-92-1  |
| China RoHS | Environmentally Friendly Use Period = 50 years  |
|            | For details about hazardous substances go to tab "Downloads", Category "Manufacturer's declaration" |

## Drawings

# Flush-type connector - SACC-CI-M8FS-8P SMD R32 - 1412247

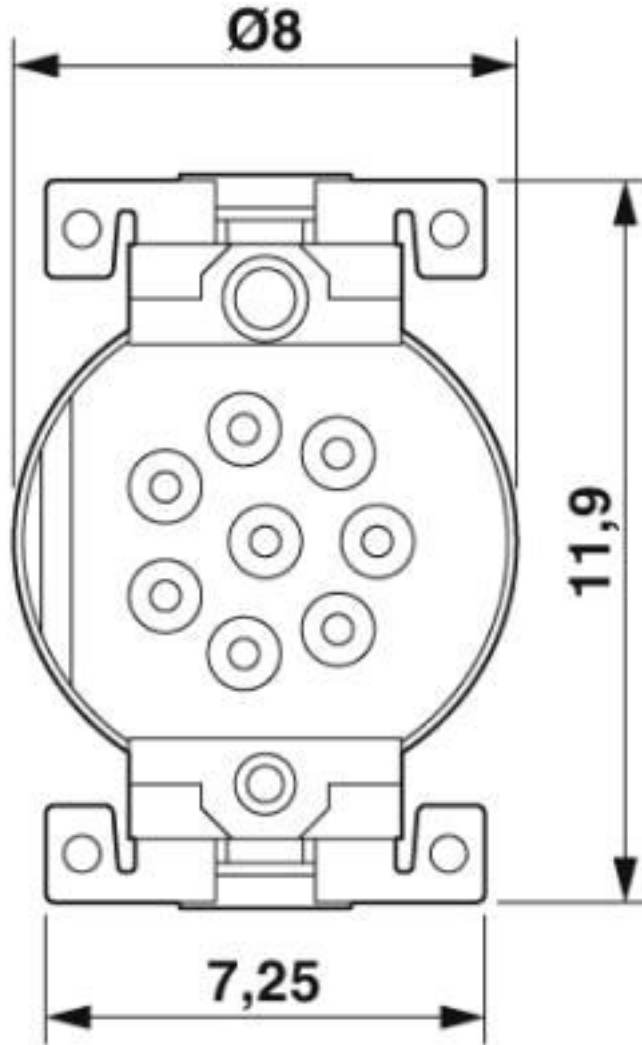
Dimensional drawing



SMD tape-on-reel packing

# Flush-type connector - SACC-CI-M8FS-8P SMD R32 - 1412247

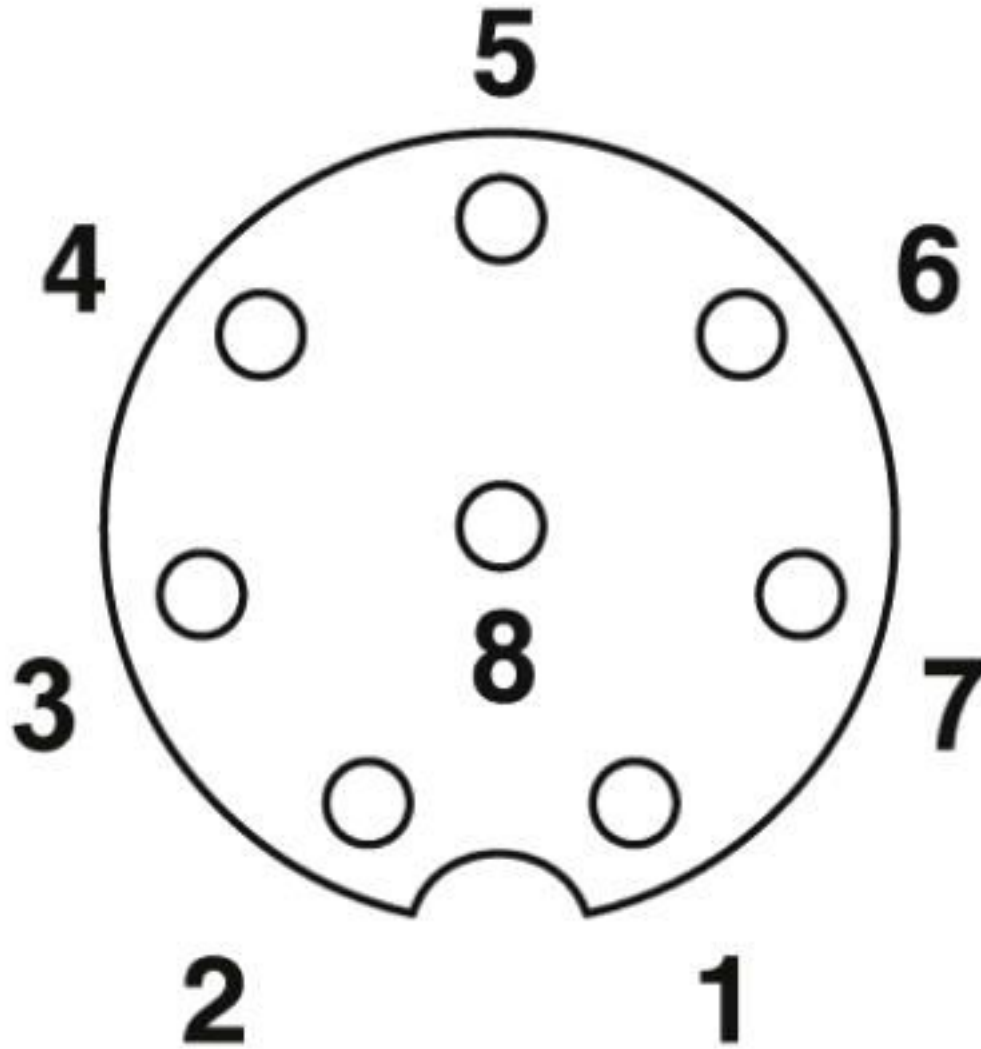
Dimensional drawing



View of solder side

# Flush-type connector - SACC-CI-M8FS-8P SMD R32 - 1412247

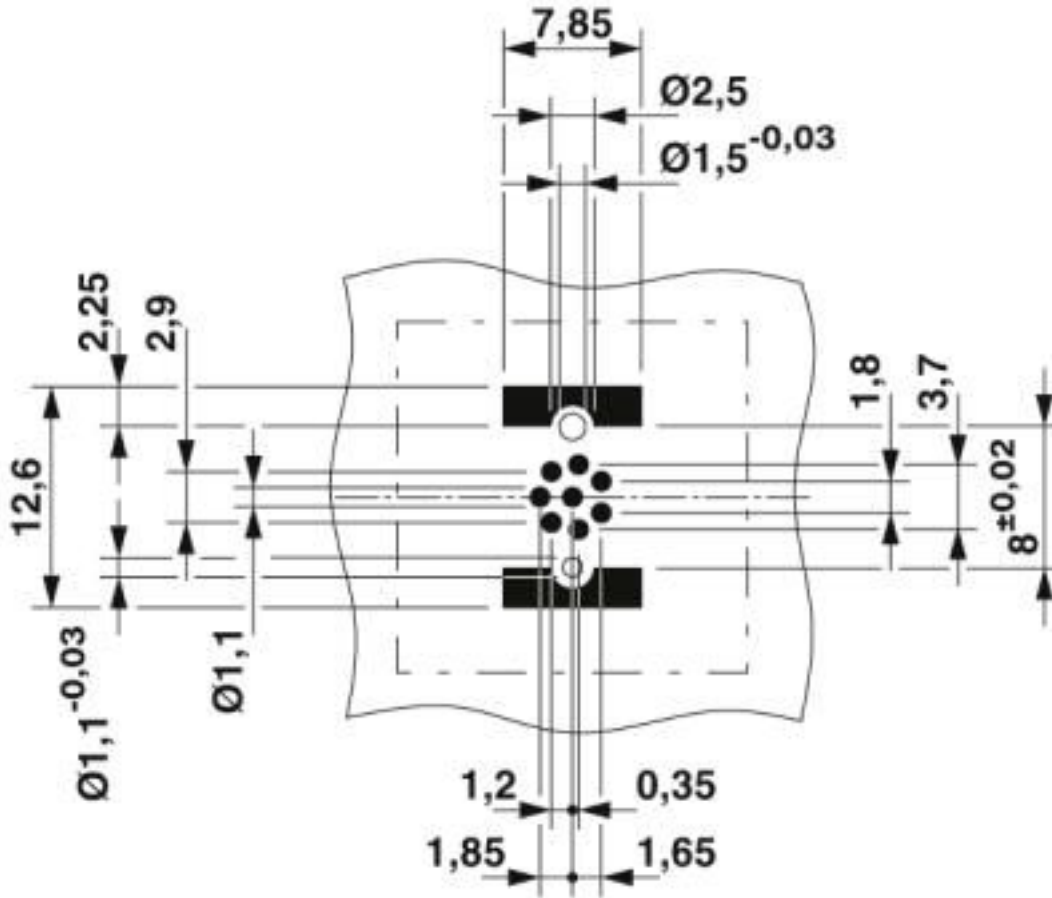
Schematic diagram



Connector pin assignment of M8 socket, 8-pos., view of socket side

# Flush-type connector - SACC-CI-M8FS-8P SMD R32 - 1412247

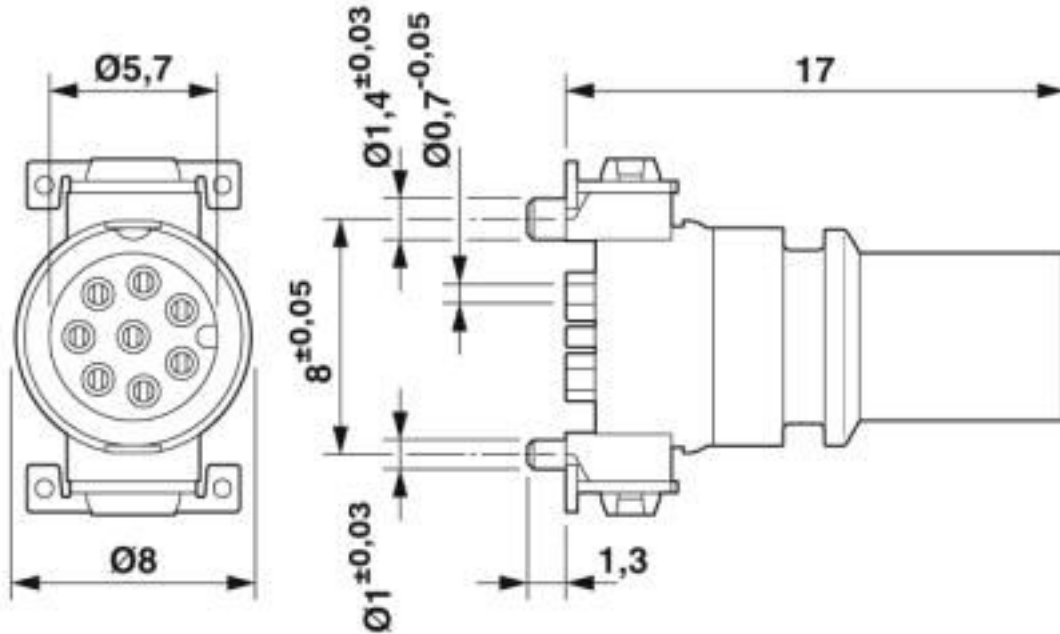
Drilling diagram



Socket drilling diagram

# Flush-type connector - SACC-CI-M8FS-8P SMD R32 - 1412247

Dimensional drawing



M8 flush-type socket

## Classifications

eCl@ss

|               |          |
|---------------|----------|
| eCl@ss 10.0.1 | 27440102 |
| eCl@ss 4.0    | 27140800 |
| eCl@ss 4.1    | 27140800 |
| eCl@ss 5.0    | 27143400 |
| eCl@ss 5.1    | 27143400 |
| eCl@ss 6.0    | 27279200 |
| eCl@ss 7.0    | 27440103 |
| eCl@ss 8.0    | 27440103 |
| eCl@ss 9.0    | 27440102 |

ETIM

|          |          |
|----------|----------|
| ETIM 5.0 | EC002061 |
| ETIM 6.0 | EC002061 |

UNSPSC

|             |          |
|-------------|----------|
| UNSPSC 13.2 | 39121413 |
| UNSPSC 18.0 | 39121413 |

# Flush-type connector - SACC-CI-M8FS-8P SMD R32 - 1412247

## Classifications

### UNSPSC

|             |          |
|-------------|----------|
| UNSPSC 19.0 | 39121413 |
| UNSPSC 20.0 | 39121413 |
| UNSPSC 21.0 | 39121413 |

## Approvals

### Approvals

Approvals

EAC / cULus Recognized

Ex Approvals

### Approval details

|     |  |         |
|-----|--|---------|
| EAC |  | B.01687 |
|-----|--|---------|

|                    |       |   |                  |
|--------------------|-------|---|------------------|
| cULus Recognized   |       | <a href="http://database.ul.com/cgi-bin/XYV/template/LISEXT/1FRAME/index.htm">http://database.ul.com/cgi-bin/XYV/template/LISEXT/1FRAME/index.htm</a> | E221474-20160506 |
| Nominal voltage UN | 30 V  |   |                  |
| Nominal current IN | 1.5 A |   |                  |

## Accessories

### Accessories

Panel mounting base

Housing screw connection - SACC-BP-F-M8/M12 SMD - 1412506



M8 socket, rear mounting



## Flush-type connector - SACC-CI-M8FS-8P SMD R32 - 1412247

### Accessories

Housing screw connection - SACC-FP-F-M8/M10 SMD - 1412504



M8 female connector, front mounting SMD with M10 screw fastening

---

Housing screw connection - SACC-FP-F-M8/PRESS SMD - 1412501



M8 socket, press-in mounting

---

---