

Housing screw connection - SACC-FP-M-M12/PRESS SMD - 1412080

Please be informed that the data shown in this PDF Document is generated from our Online Catalog. Please find the complete data in the user's documentation. Our General Terms of Use for Downloads are valid (<http://phoenixcontact.com/download>)




Housing screw connection, pin, for the two-part M12 SMD connector, for press-in mounting.

Your advantages

- ✓ Reduced mounting costs thanks to two-piece device connector
- ✓ Easy device integration, thanks to mechanical port screw connections with press-in contour
- ✓ Efficient PCB assembly: two-piece connectors for SMT soldering

RoHS

Key Commercial Data

| | |
|--------------------------------------|---|
| Packing unit | 1 pc |
| Minimum order quantity | 10 pc |
| GTIN |  4 046356 992985 |
| GTIN | 4046356992985 |
| Weight per Piece (excluding packing) | 8.000 g |
| Custom tariff number | 74153300 |
| Country of origin | Germany |

Technical data

Ambient conditions

| | |
|---------------------------------|---|
| Ambient temperature (operation) | -25 °C ... 85 °C (Plug / socket) |
| | -40 °C ... 85 °C (without mechanical actuation) |
| Degree of protection | IP67 (correctly plugged in and locked) |

General

| | |
|------|--|
| Note | The electrical and mechanical data specified assume that the connector pair is correctly locked and mounted. If the connector is unlocked and if |
|------|--|

Housing screw connection - SACC-FP-M-M12/PRESS SMD - 1412080

Technical data

General

| | |
|-----------------------------|---|
| | there is a danger of contamination, the connector must be sealed using a protective cap > IP54. Influences arising from litz wires, cables or PCB assembly must also be taken into consideration. |
| Standards/regulations | M12 connector IEC 61076-2-101 In line with |
| Insertion/withdrawal cycles | > 100 |
| Mounting type | Front mounting Press-in mounting |

Material

| | |
|------------------|----------------------|
| Material, knurls | Nickel-plated brass |
| Material | Brass, nickel-plated |

Cable

| | |
|--------------------------|--|
| Standards/specifications | M12 connector IEC 61076-2-101 In line with |
|--------------------------|--|

Standards and Regulations

| | |
|--------------------------|--|
| Standards/specifications | M12 connector IEC 61076-2-101 In line with |
|--------------------------|--|

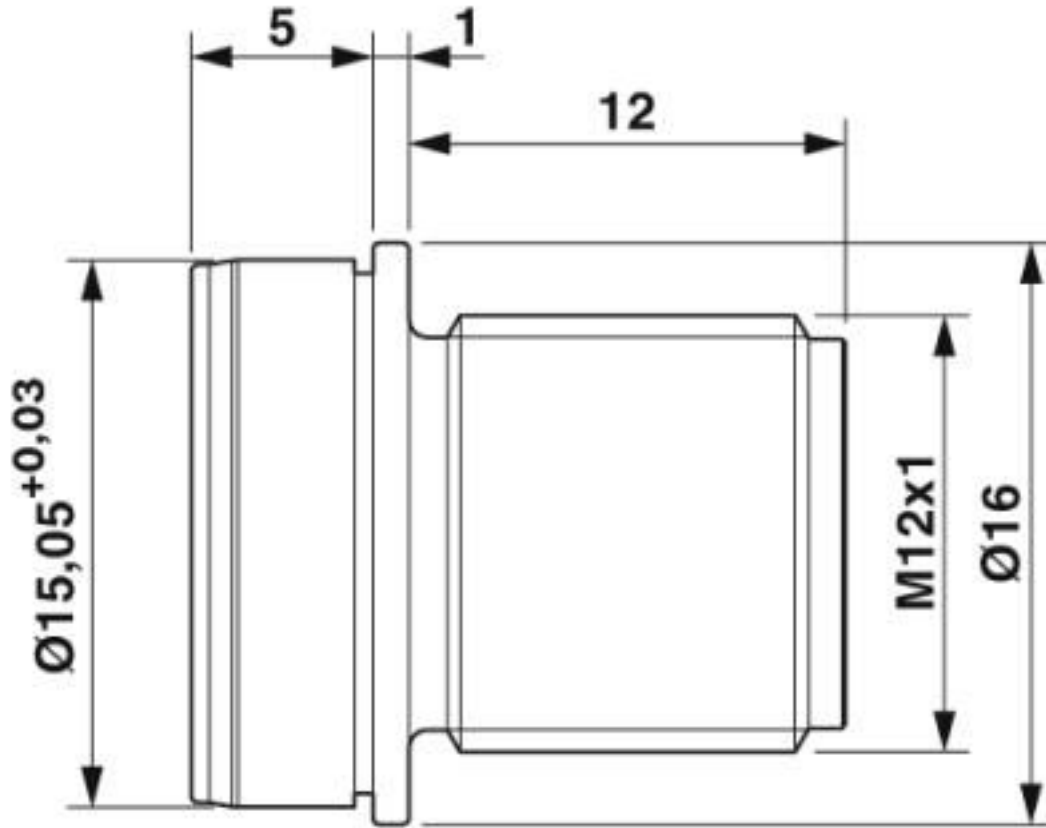
Environmental Product Compliance

| | |
|------------|---|
| REACH SVHC | Lead 7439-92-1 |
| China RoHS | Environmentally Friendly Use Period = 50 years |
| | For details about hazardous substances go to tab "Downloads", Category "Manufacturer's declaration" |

Drawings

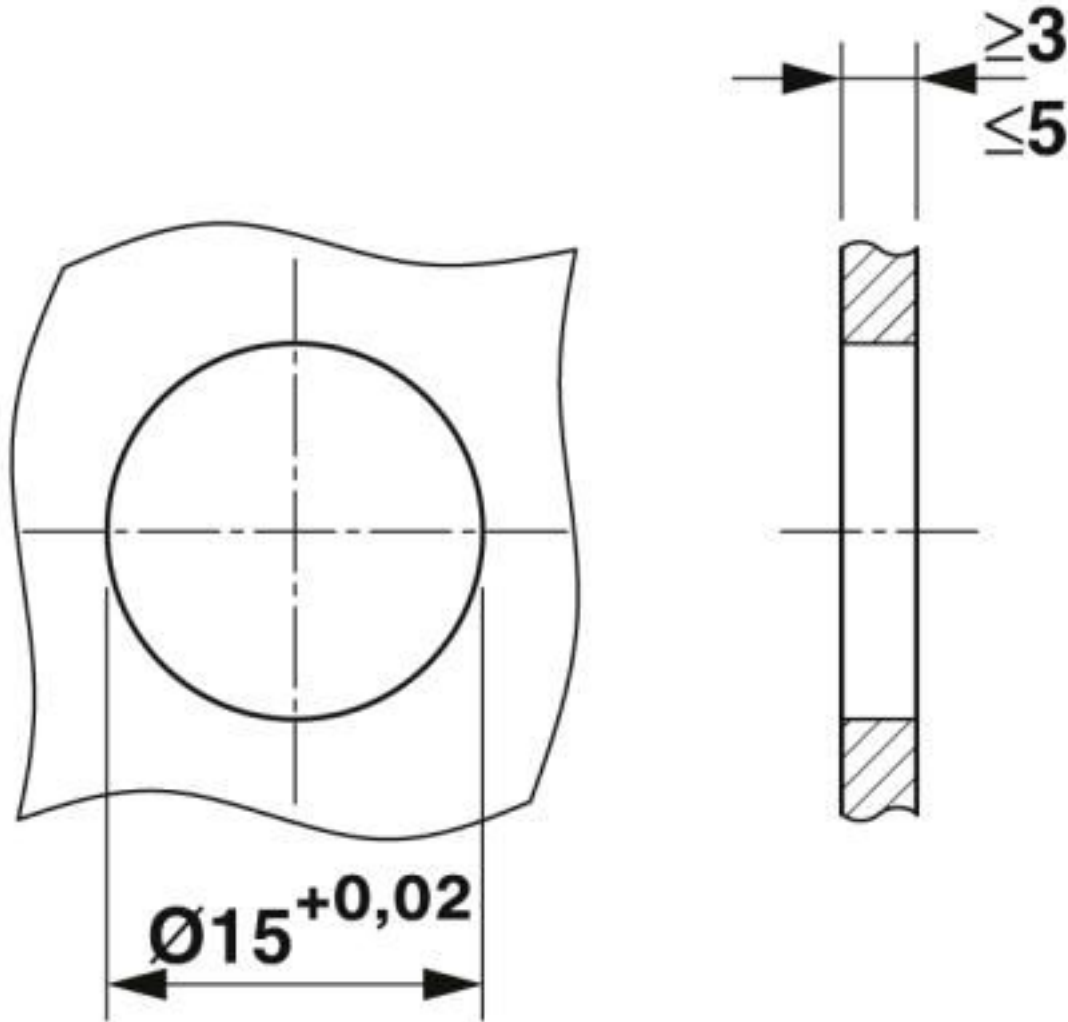
Housing screw connection - SACC-FP-M-M12/PRESS SMD - 1412080

Dimensional drawing



Housing screw connection - SACC-FP-M-M12/PRESS SMD - 1412080

Dimensional drawing



Housing bore holes

Classifications

eCl@ss

| | |
|---------------|----------|
| eCl@ss 10.0.1 | 27371392 |
| eCl@ss 4.0 | 27378000 |
| eCl@ss 4.1 | 27378000 |
| eCl@ss 5.0 | 27379100 |
| eCl@ss 5.1 | 27379100 |
| eCl@ss 6.0 | 27379200 |

Housing screw connection - SACC-FP-M-M12/PRESS SMD - 1412080

Classifications

eCl@ss

| | |
|------------|----------|
| eCl@ss 7.0 | 27379201 |
| eCl@ss 8.0 | 27379201 |
| eCl@ss 9.0 | 27379201 |

ETIM

| | |
|----------|----------|
| ETIM 5.0 | EC002498 |
| ETIM 6.0 | EC002498 |
| ETIM 7.0 | EC002498 |

UNSPSC

| | |
|-------------|----------|
| UNSPSC 13.2 | 39121421 |
| UNSPSC 18.0 | 39121421 |
| UNSPSC 19.0 | 39121421 |
| UNSPSC 20.0 | 39121421 |
| UNSPSC 21.0 | 39121421 |

Approvals


Approvals

Approvals

EAC

Ex Approvals

Approval details

| | | |
|-----|---|---------|
| EAC |  | B.01687 |
|-----|---|---------|