

## Flush-type connector - SACC-CIP-M12MS-12P SMD SH R32 - 1412015

Please be informed that the data shown in this PDF Document is generated from our Online Catalog. Please find the complete data in the user's documentation. Our General Terms of Use for Downloads are valid (<http://phoenixcontact.com/download>)




Flush-type connector, 12-position, Plug, straight, M12, A - standard, PCB mounting, SMD

### Your advantages

- ✓ Reduced mounting costs thanks to two-piece device connector
- ✓ Packaging available for automated pick and place assembly
- ✓ All common pin assignments and codings available
- ✓ Easy device integration thanks to mechanical port screw connections with threaded attachment, press-in contour or direct integration in the front plate
- ✓ Additional gasket for the device when not plugged in

### Key Commercial Data

Packing unit	1 pc
Minimum order quantity	100 pc
GTIN	 4 046356 992886
GTIN	4046356992886
Weight per Piece (excluding packing)	7.200 g
Custom tariff number	85366990
Country of origin	Germany

### Technical data

#### Ambient conditions

Ambient temperature (operation)	-40 °C ... 105 °C (Plug / socket)
	-55 °C ... 105 °C (without mechanical actuation)
Degree of protection	IP67 (correctly plugged in and locked)

# Flush-type connector - SACC-CIP-M12MS-12P SMD SH R32 - 1412015

## Technical data

### General

Note	The electrical and mechanical data specified assume that the connector pair is correctly locked and mounted. If the connector is unlocked and if there is a danger of contamination, the connector must be sealed using a protective cap > IP54. Influences arising from litz wires, cables or PCB assembly must also be taken into consideration.
Rated current at 40°C	1.5 A
Rated voltage	30 V
Rated surge voltage	0.8 kV
Number of positions	12
Insulation resistance	≥ 100 MΩ
Coding	A - standard
Standards/regulations	M12 connector IEC 61076-2-101 In line with
Overvoltage category	III
Degree of pollution	3
Connection method	SMD
Insertion/withdrawal cycles	> 100
Mounting type	PCB mounting
Type of packaging	Belt
Delivery state	with assembly pad

### Material

Flammability rating according to UL 94	V0
Contact material	CuZn
Contact surface material	Au
Contact carrier material	PA
Sealing material	FKM

### Cable

Standards/specifications	M12 connector IEC 61076-2-101 In line with
--------------------------	--

### Standards and Regulations

Standards/specifications	M12 connector IEC 61076-2-101 In line with
Flammability rating according to UL 94	V0

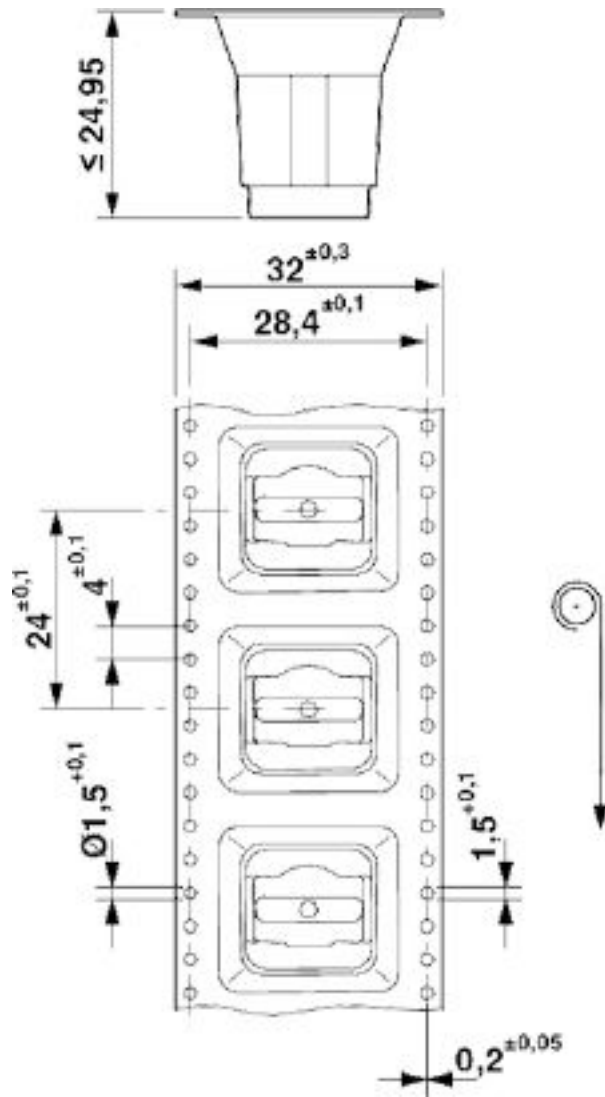
### Environmental Product Compliance

REACH SVHC	Lead 7439-92-1
China RoHS	Environmentally Friendly Use Period = 50 years
	For details about hazardous substances go to tab "Downloads", Category "Manufacturer's declaration"

## Drawings

# Flush-type connector - SACC-CIP-M12MS-12P SMD SH R32 - 1412015

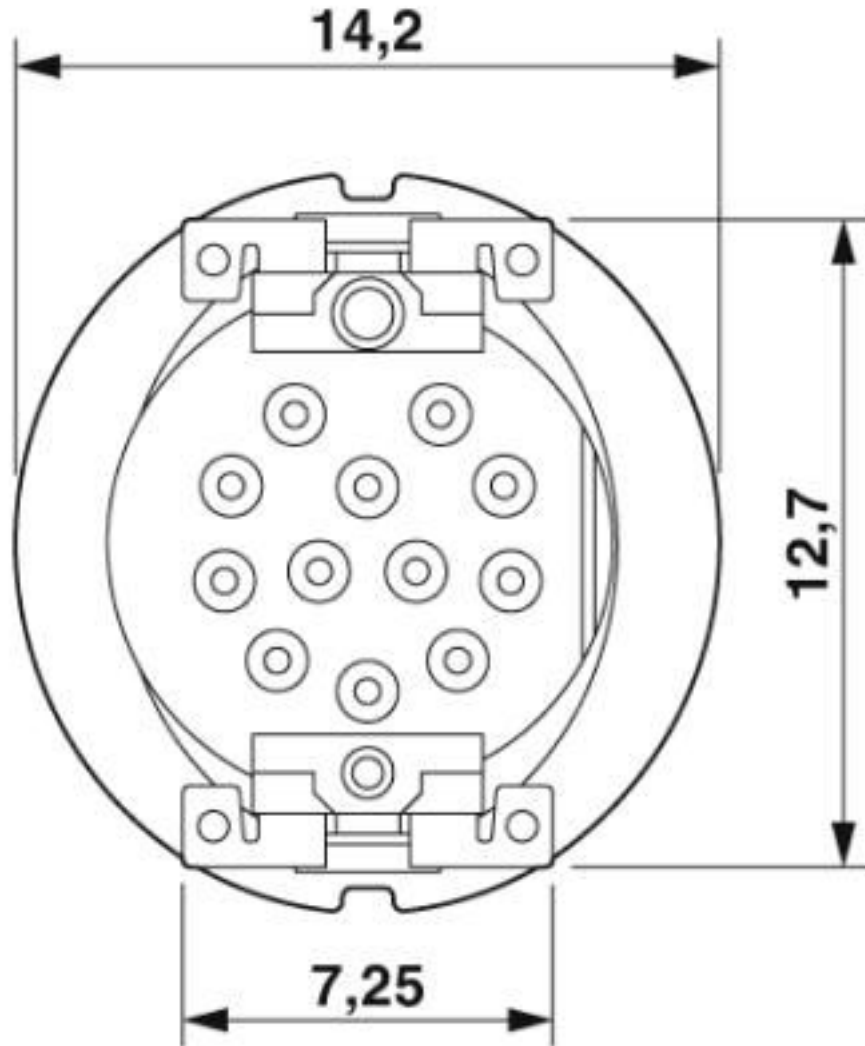
Dimensional drawing



SMD tape-on-reel packing

# Flush-type connector - SACC-CIP-M12MS-12P SMD SH R32 - 1412015

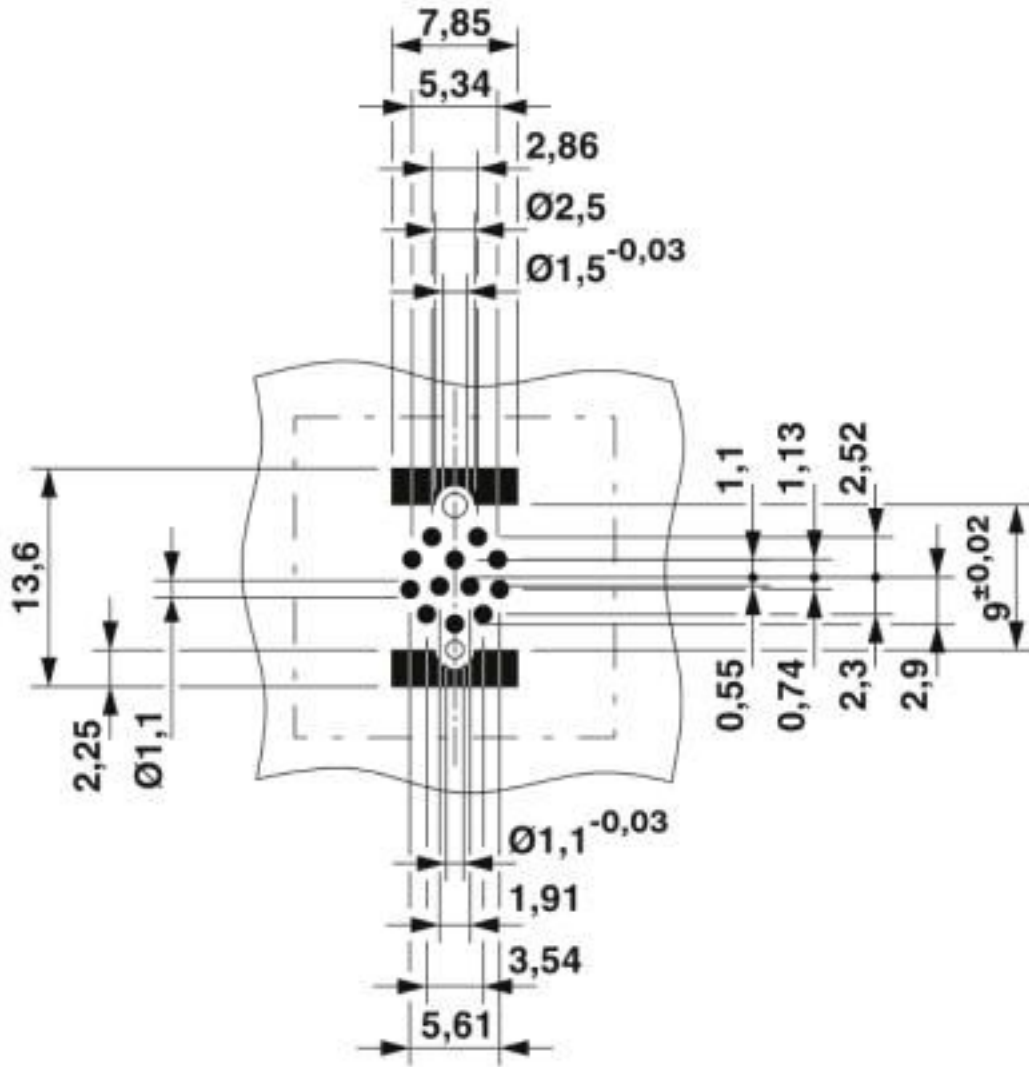
Dimensional drawing



View of solder side

# Flush-type connector - SACC-CIP-M12MS-12P SMD SH R32 - 1412015

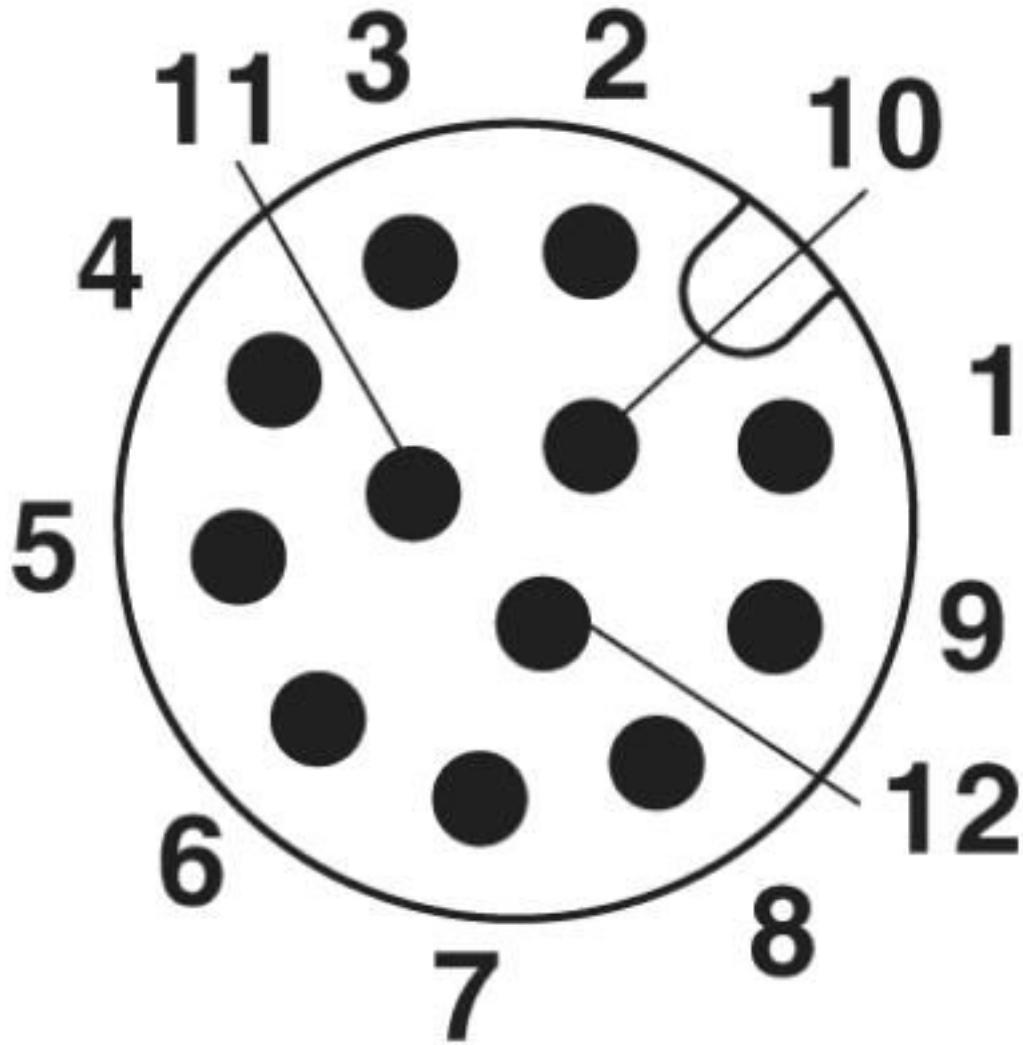
Drilling diagram



Soldering pad geometry

# Flush-type connector - SACC-CIP-M12MS-12P SMD SH R32 - 1412015

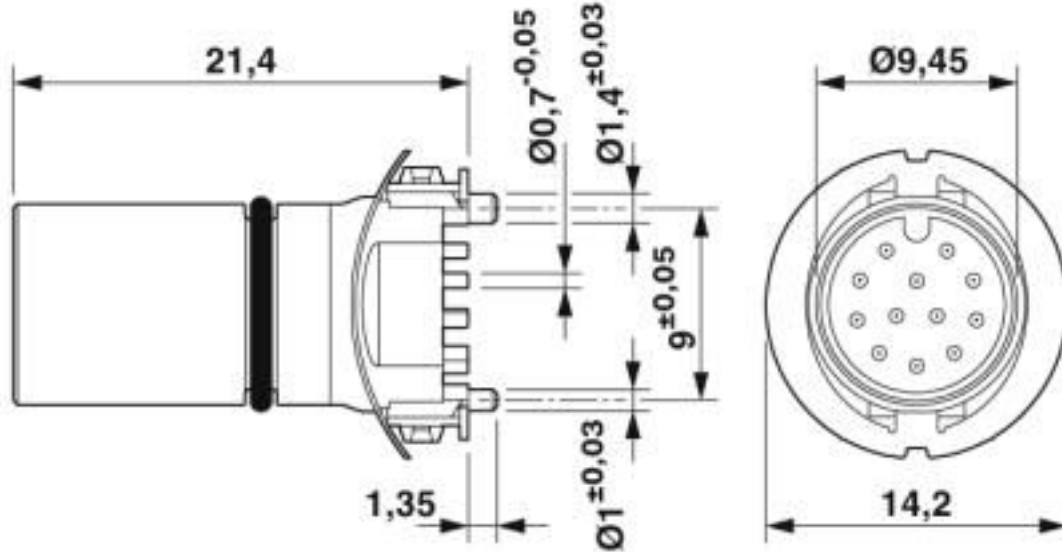
Schematic diagram



Pin assignment of M12 male connector, 12-pos., A-coded, view of pin side

# Flush-type connector - SACC-CIP-M12MS-12P SMD SH R32 - 1412015

Dimensional drawing



M12 plug, straight

## Classifications

eCl@ss

eCl@ss 10.0.1	27440102
eCl@ss 4.0	27140800
eCl@ss 4.1	27140800
eCl@ss 5.0	27143400
eCl@ss 5.1	27143400
eCl@ss 6.0	27279200
eCl@ss 7.0	27440103
eCl@ss 8.0	27440103
eCl@ss 9.0	27440102

ETIM

ETIM 5.0	EC002061
ETIM 6.0	EC002061

UNSPSC

UNSPSC 13.2	39121413
UNSPSC 18.0	39121413
UNSPSC 19.0	39121413
UNSPSC 20.0	39121413

# Flush-type connector - SACC-CIP-M12MS-12P SMD SH R32 - 1412015

## Classifications

### UNSPSC

UNSPSC 21.0	39121413
-------------	----------

## Approvals

### Approvals

### Approvals

EAC / cULus Recognized

### Ex Approvals

## Approval details

EAC		B.01687
-----	--	---------

cULus Recognized		<a href="http://database.ul.com/cgi-bin/XYV/template/LISEXT/1FRAME/index.htm">http://database.ul.com/cgi-bin/XYV/template/LISEXT/1FRAME/index.htm</a>	E221474-20160506
------------------	--	---	------------------

Nominal voltage UN	30 V
Nominal current IN	1.5 A

## Accessories

### Accessories

### Contact insert

Sample set - SACC-CIP-M12MS-12P SMD SH-SP - 1418650



Sample set, 12-position, Plug, straight, M12, A - standard, PCB mounting, SMD

## Panel mounting base



## Flush-type connector - SACC-CIP-M12MS-12P SMD SH R32 - 1412015

### Accessories

Housing screw connection - SACC-BP-M-M12/M15-6-SMD - 1414000



Housing screw connection, Plug, M12, Rear mounting, M15 x 1

---

Housing screw connection - SACC-BP-M-M12/M15-6-SMD SCO - 1414002



Housing screw connection, Plug, M12-SPEEDCON, Rear mounting, M15 x 1

---

Housing screw connection - SACC-FP-M-M12/M14 SMD - 1412078



M12 pin, front mounting SMD with M14 screw fastening

---

Housing screw connection - SACC-FP-M-M12/PRESS SMD - 1412080



Housing screw connection, pin, for the two-part M12 SMD connector, for press-in mounting.

---

Housing screw connection - SACC-BP-M-M12-SMD PP - 1107993



Housing screw connection, Plug, M12-Push-Pull, Rear mounting, M15 x 1, THR- und Wellenlötkontakte

---

## Flush-type connector - SACC-CIP-M12MS-12P SMD SH R32 - 1412015

### Accessories

Housing screw connection - SACC-FP-M-M12-SMD PP - 1107999



Housing screw connection, Plug, M12-Push-Pull, Front mounting, M14 x 1, THR- und Wellenlötkontakte

---

---

Phoenix Contact 2020 © - all rights reserved  
<http://www.phoenixcontact.com>