

Flush-type connector - SACC-CIP-M12MST-4P SMD T - 1411948

Please be informed that the data shown in this PDF Document is generated from our Online Catalog. Please find the complete data in the user's documentation. Our General Terms of Use for Downloads are valid (<http://phoenixcontact.com/download>)




Flush-type connector, Power, 4-position, Plug, straight, M12, T power, PCB mounting, SMD

Your advantages

- ✓ For compact devices: transmit high power in a confined space
- ✓ Reduced mounting costs thanks to two-piece device connector
- ✓ Packaging available for automated pick and place assembly
- ✓ All common pin assignments and codings available
- ✓ Easy device integration thanks to mechanical port screw connections with threaded attachment, press-in contour or direct integration in the front plate
- ✓ Additional gasket for the device when not plugged in

RoHS

Key Commercial Data

Packing unit	1 pc
Minimum order quantity	60 pc
GTIN	 4 046356 990752
GTIN	4046356990752
Custom tariff number	85366990
Country of origin	Germany

Technical data

Ambient conditions

Ambient temperature (operation)	-25 °C ... 105 °C (Plug / socket)
	-40 °C ... 105 °C (without mechanical actuation)
Degree of protection	IP67 (correctly plugged in and locked)

Flush-type connector - SACC-CIP-M12MST-4P SMD T - 1411948

Technical data

General

Note	The electrical and mechanical data specified assume that the connector pair is correctly locked and mounted. If the connector is unlocked and if there is a danger of contamination, the connector must be sealed using a protective cap > IP54. Influences arising from litz wires, cables or PCB assembly must also be taken into consideration.
Rated current at 40°C	12 A
Rated voltage	63 V
Rated surge voltage	1.5 kV
Number of positions	4
Insulation resistance	≥ 100 MΩ
Coding	T power
Standards/regulations	M12 connector IEC 61076-2-111 In line with
Signal type/category	Power
Overvoltage category	III
Degree of pollution	3
Connection method	SMD
Insertion/withdrawal cycles	> 100
Mounting type	PCB mounting
Type of packaging	Tray
Delivery state	with assembly pad

Material

Flammability rating according to UL 94	V0
Contact material	CuZn
Contact surface material	Au
Contact carrier material	PA
Sealing material	FKM

Cable

Standards/specifications	M12 connector IEC 61076-2-111 In line with
--------------------------	--

Standards and Regulations

Standards/specifications	M12 connector IEC 61076-2-111 In line with
Flammability rating according to UL 94	V0

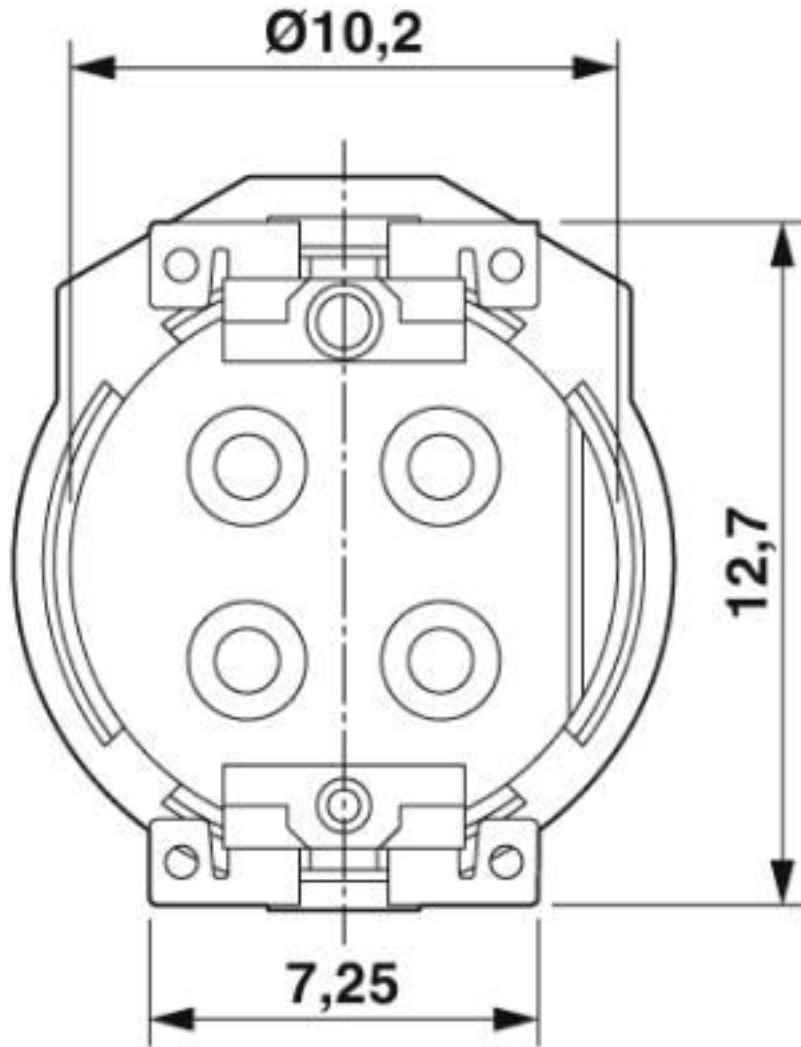
Environmental Product Compliance

REACH SVHC	Lead 7439-92-1
China RoHS	Environmentally Friendly Use Period = 50 years
	For details about hazardous substances go to tab "Downloads", Category "Manufacturer's declaration"

Flush-type connector - SACC-CIP-M12MST-4P SMD T - 1411948

Drawings

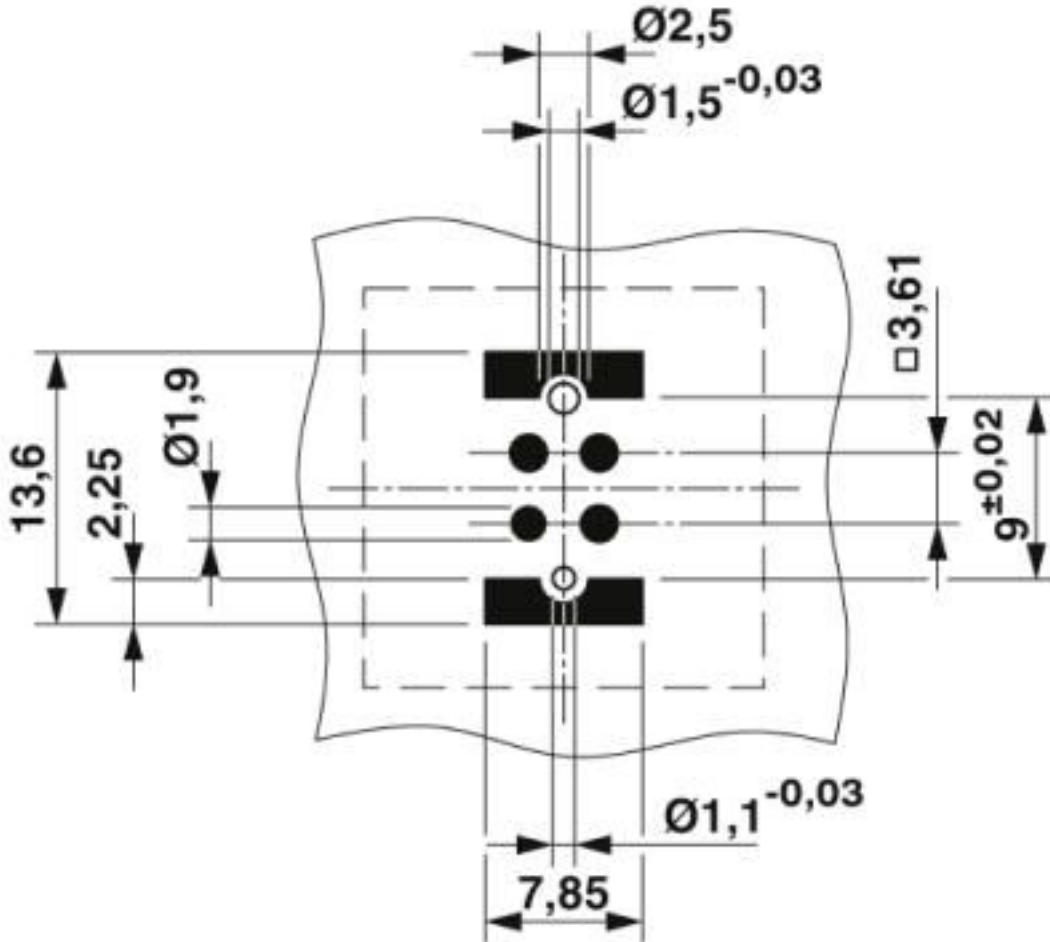
Dimensional drawing



View of solder side

Flush-type connector - SACC-CIP-M12MST-4P SMD T - 1411948

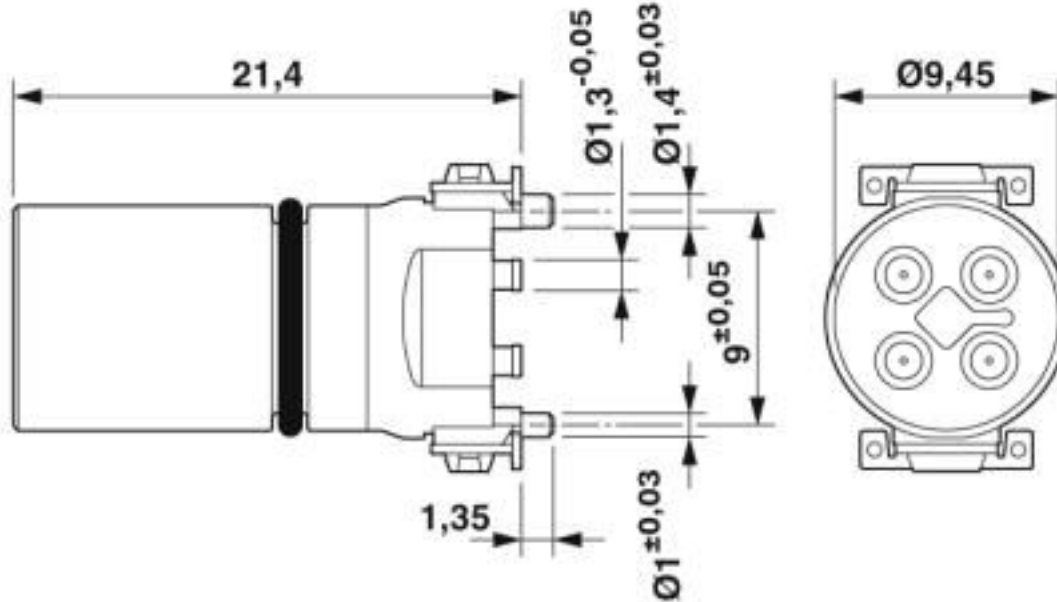
Drilling diagram



Soldering pad geometry

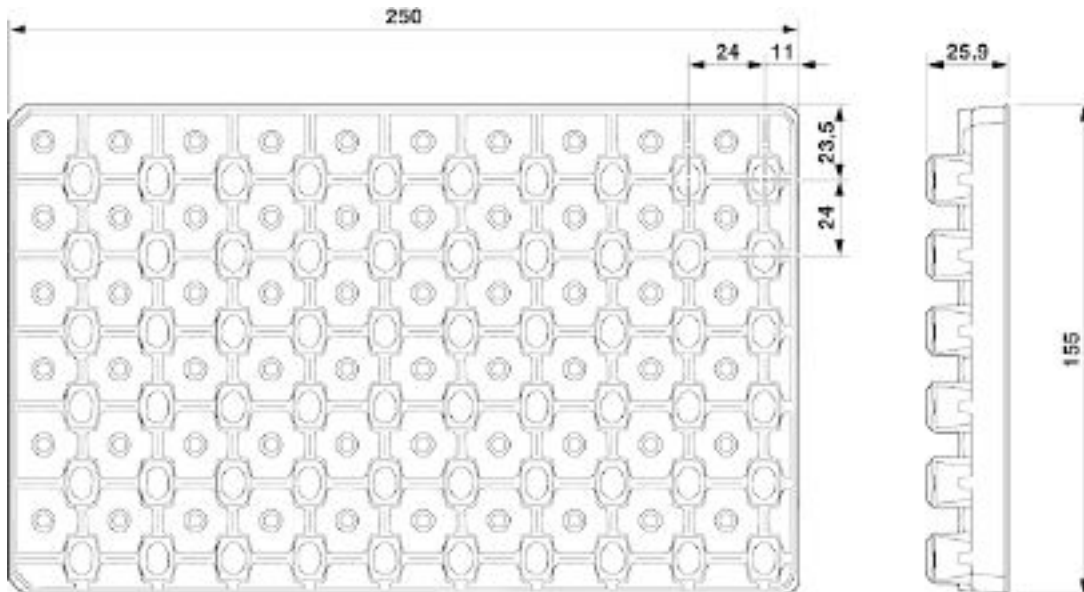
Flush-type connector - SACC-CIP-M12MST-4P SMD T - 1411948

Dimensional drawing



M12 male connector contact carrier

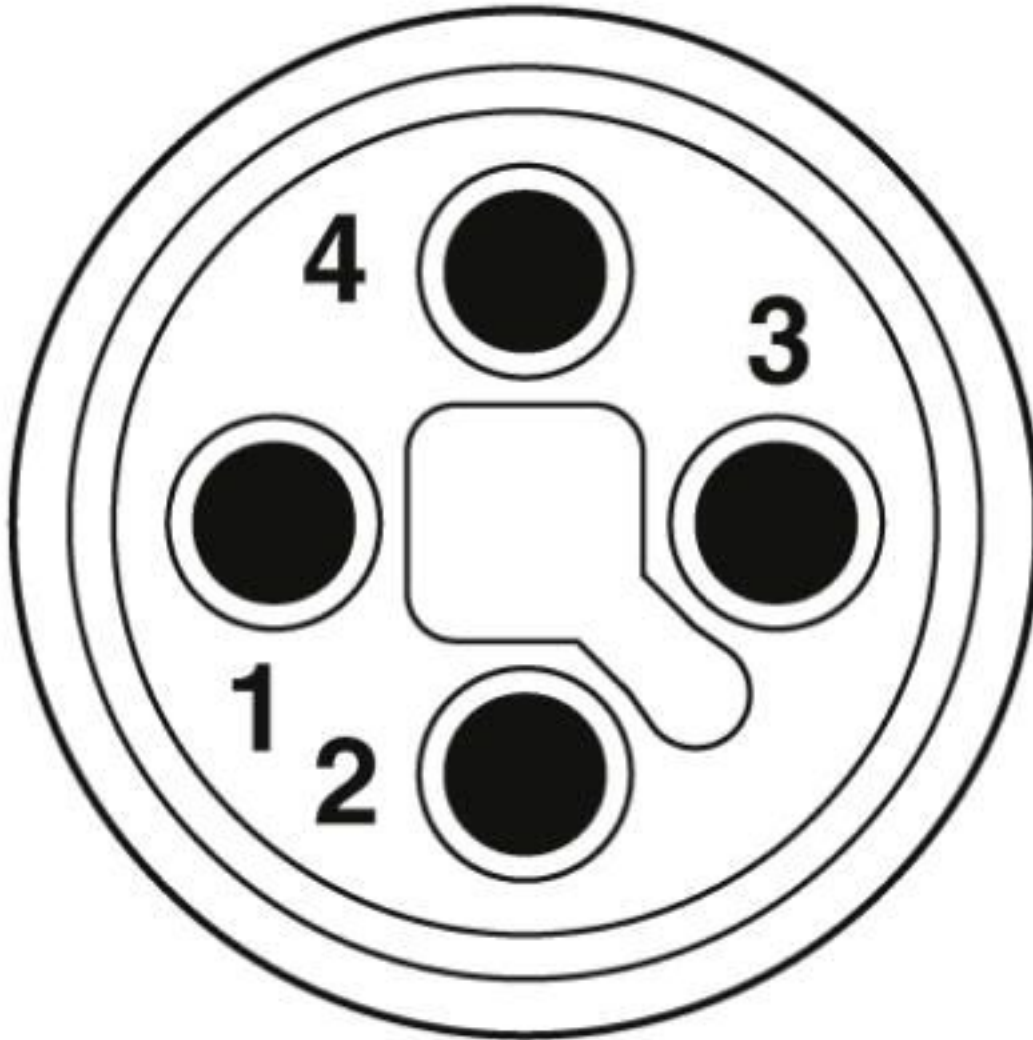
Dimensional drawing



SMD tray packaging

Flush-type connector - SACC-CIP-M12MST-4P SMD T - 1411948

Schematic diagram



Connector pin assignment of M12 plug, 4-pos., T-coded, view of pin side

Classifications

eCl@ss

eCl@ss 10.0.1	27440102
eCl@ss 4.0	27140800
eCl@ss 4.1	27140800
eCl@ss 5.0	27143400
eCl@ss 5.1	27143400

Flush-type connector - SACC-CIP-M12MST-4P SMD T - 1411948

Classifications

eCl@ss

eCl@ss 6.0	27279200
eCl@ss 7.0	27440103
eCl@ss 8.0	27440103
eCl@ss 9.0	27440102

ETIM

ETIM 5.0	EC002061
ETIM 6.0	EC002061

UNSPSC

UNSPSC 13.2	39121413
UNSPSC 18.0	39121413
UNSPSC 19.0	39121413
UNSPSC 20.0	39121413
UNSPSC 21.0	39121413

Approvals


Approvals


Approvals

EAC / UL Recognized / cUL Recognized / cULus Recognized

Ex Approvals

Approval details

EAC		B.01687
-----	---	---------

UL Recognized		http://database.ul.com/cgi-bin/XYV/template/LISEXT/1FRAME/index.htm	E468743-20190917
Nominal voltage UN	63 V		
Nominal current IN	10 A		

Flush-type connector - SACC-CIP-M12MST-4P SMD T - 1411948

Approvals

mm ² /AWG/kcmil	16
----------------------------	----

cUL Recognized		http://database.ul.com/cgi-bin/XYV/template/LISEXT/1FRAME/index.htm	E468743-20190917
Nominal voltage UN	63 V		
Nominal current IN	8 A		
mm ² /AWG/kcmil	16		

cULus Recognized	
------------------	--

Accessories

Accessories

Panel mounting base

Housing screw connection - SACC-BP-M-M12/M15-6-SMD - 1414000



Housing screw connection, Plug, M12, Rear mounting, M15 x 1

Housing screw connection - SACC-BP-M-M12/M15-6-SMD SCO - 1414002



Housing screw connection, Plug, M12-SPEEDCON, Rear mounting, M15 x 1

Flush-type connector - SACC-CIP-M12MST-4P SMD T - 1411948

Accessories

Housing screw connection - SACC-FP-M-M12/M14 SMD - 1412078



M12 pin, front mounting SMD with M14 screw fastening

Housing screw connection - SACC-FP-M-M12/PRESS SMD - 1412080



Housing screw connection, pin, for the two-part M12 SMD connector, for press-in mounting.

Housing screw connection - SACC-BP-M-M12-SMD PP - 1107993



Housing screw connection, Plug, M12-Push-Pull, Rear mounting, M15 x 1, THR- und Wellenlötkontakte

Housing screw connection - SACC-FP-M-M12-SMD PP - 1107999



Housing screw connection, Plug, M12-Push-Pull, Front mounting, M14 x 1, THR- und Wellenlötkontakte
