

Flush-type connector - SACC-CI-M12MST-4P SMD T - 1411931

Please be informed that the data shown in this PDF Document is generated from our Online Catalog. Please find the complete data in the user's documentation. Our General Terms of Use for Downloads are valid (<http://phoenixcontact.com/download>)



Flush-type connector, Power, 4-position, Plug, straight, M12, T power, PCB mounting, SMD

Your advantages

- ✓ For compact devices: transmit high power in a confined space
- ✓ Reduced mounting costs thanks to two-piece device connector
- ✓ Packaging available for automated pick and place assembly
- ✓ All common pin assignments and codings available
- ✓ Easy device integration thanks to mechanical port screw connections with threaded attachment, press-in contour or direct integration in the front plate

Key Commercial Data

| | |
|------------------------|---------------------|
| Packing unit | 1 pc |
| Minimum order quantity | 60 pc |
| GTIN | 4 046356 990097 |
| GTIN | 4046356990097 |
| Custom tariff number | 85366990 |
| Country of origin | Germany |

Technical data

Ambient conditions

| | |
|---------------------------------|--|
| Ambient temperature (operation) | -40 °C ... 105 °C (Plug / socket) |
| | -55 °C ... 105 °C (without mechanical actuation) |
| Degree of protection | IP67 (correctly plugged in and locked) |

General

Flush-type connector - SACC-CI-M12MST-4P SMD T - 1411931

Technical data

General

| | |
|-----------------------------|--|
| Note | The electrical and mechanical data specified assume that the connector pair is correctly locked and mounted. If the connector is unlocked and if there is a danger of contamination, the connector must be sealed using a protective cap > IP54. Influences arising from litz wires, cables or PCB assembly must also be taken into consideration. |
| Rated current at 40°C | 12 A |
| Rated voltage | 63 V |
| Rated surge voltage | 1.5 kV |
| Number of positions | 4 |
| Insulation resistance | ≥ 100 MΩ |
| Coding | T power |
| Standards/regulations | M12 connector IEC 61076-2-111 In line with |
| Signal type/category | Power |
| Overvoltage category | III |
| Degree of pollution | 3 |
| Connection method | SMD |
| Insertion/withdrawal cycles | > 100 |
| Mounting type | PCB mounting |
| Type of packaging | Tray |
| Delivery state | with assembly pad |

Material

| | |
|--|------|
| Flammability rating according to UL 94 | V0 |
| Contact material | CuZn |
| Contact surface material | Au |
| Contact carrier material | PA |

Cable

| | |
|--------------------------|--|
| Standards/specifications | M12 connector IEC 61076-2-111 In line with |
|--------------------------|--|

Standards and Regulations

| | |
|--|--|
| Standards/specifications | M12 connector IEC 61076-2-111 In line with |
| Flammability rating according to UL 94 | V0 |

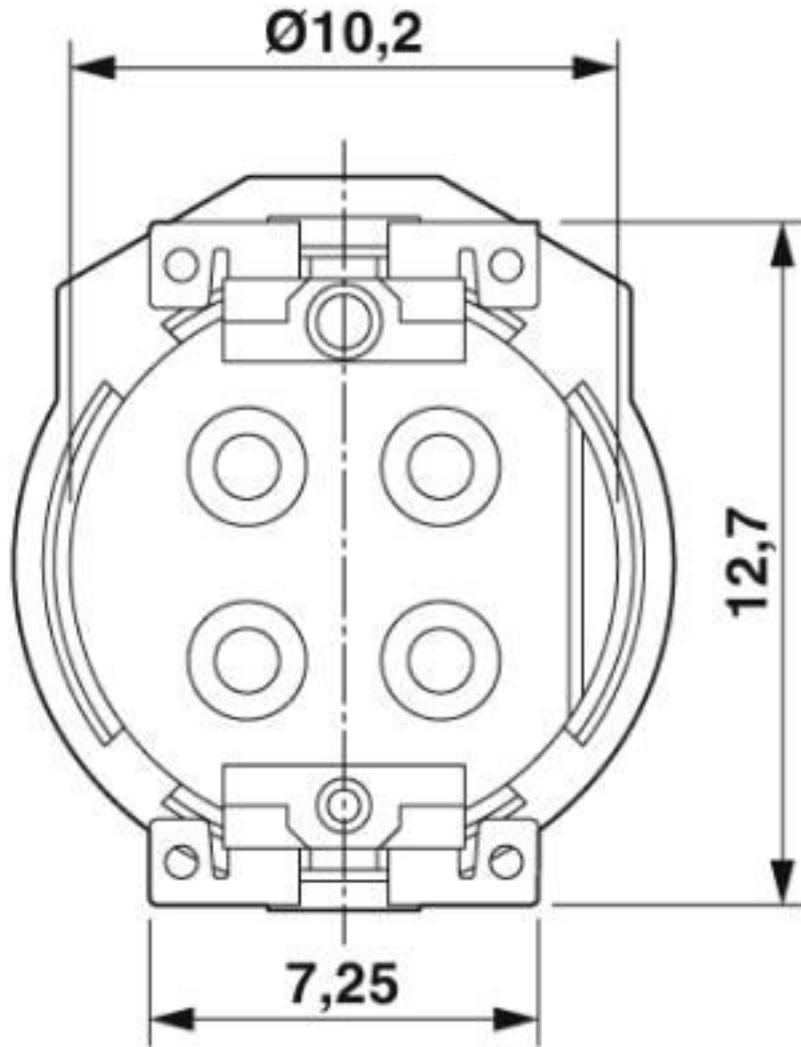
Environmental Product Compliance

| | |
|------------|---|
| REACH SVHC | Lead 7439-92-1 |
| China RoHS | Environmentally Friendly Use Period = 50 years |
| | For details about hazardous substances go to tab "Downloads", Category "Manufacturer's declaration" |

Drawings

Flush-type connector - SACC-CI-M12MST-4P SMD T - 1411931

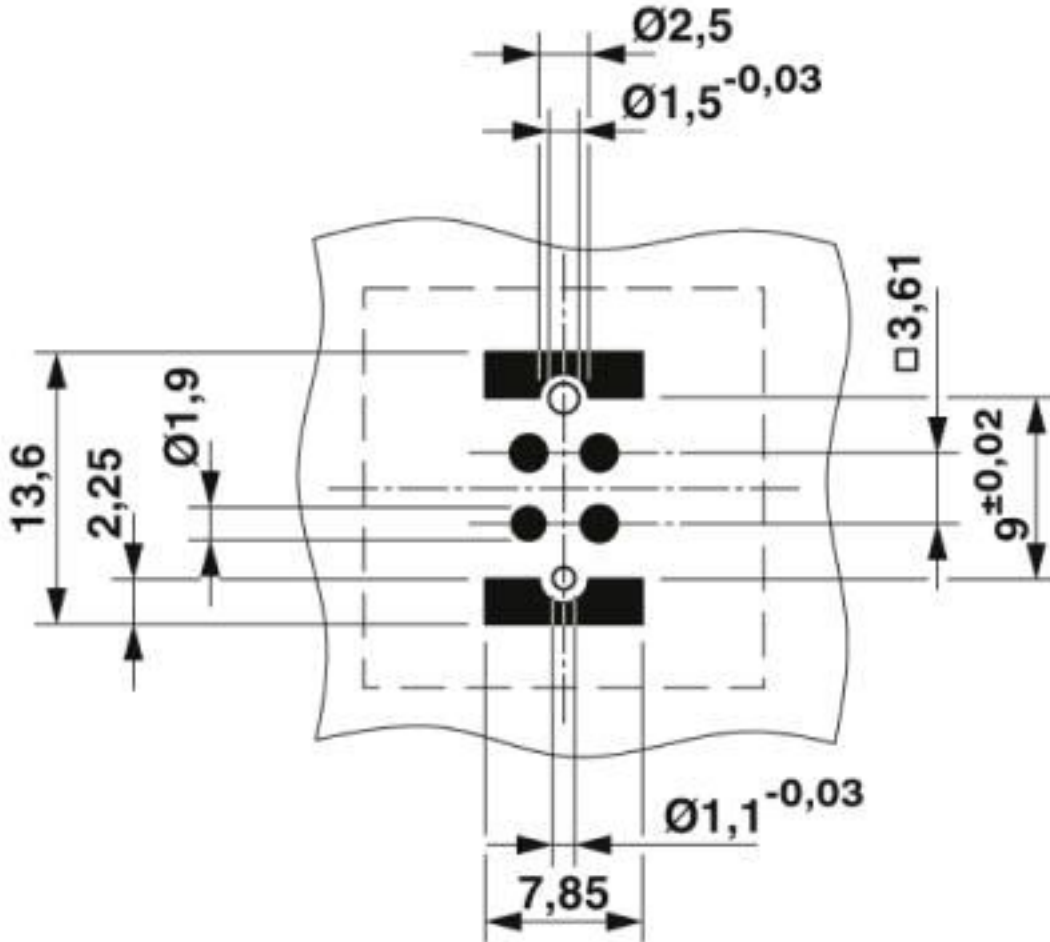
Dimensional drawing



View of solder side

Flush-type connector - SACC-CI-M12MST-4P SMD T - 1411931

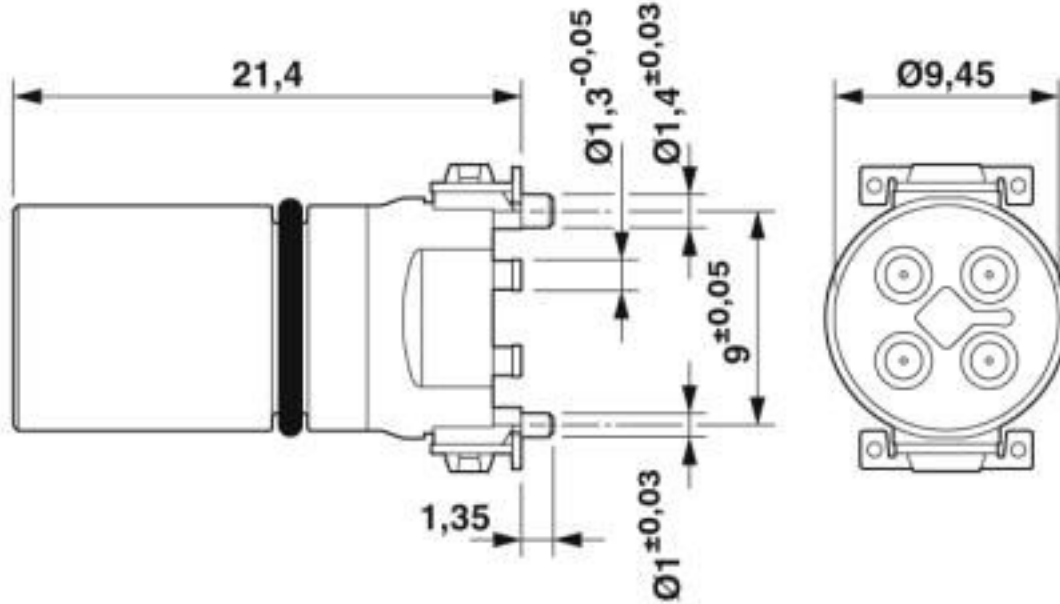
Drilling diagram



Soldering pad geometry

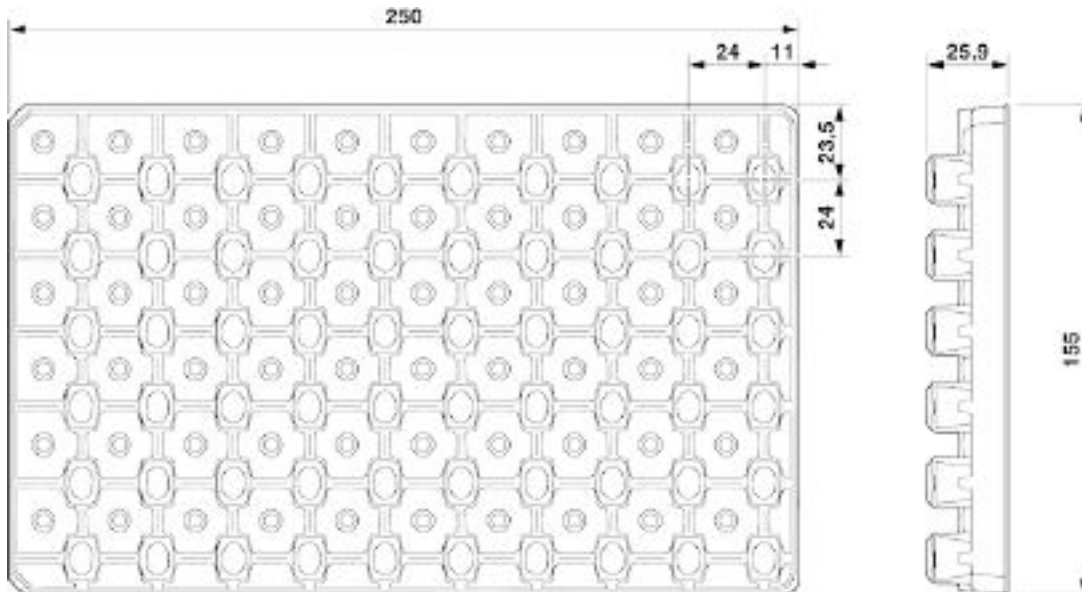
Flush-type connector - SACC-CI-M12MST-4P SMD T - 1411931

Dimensional drawing



M12 male connector contact carrier

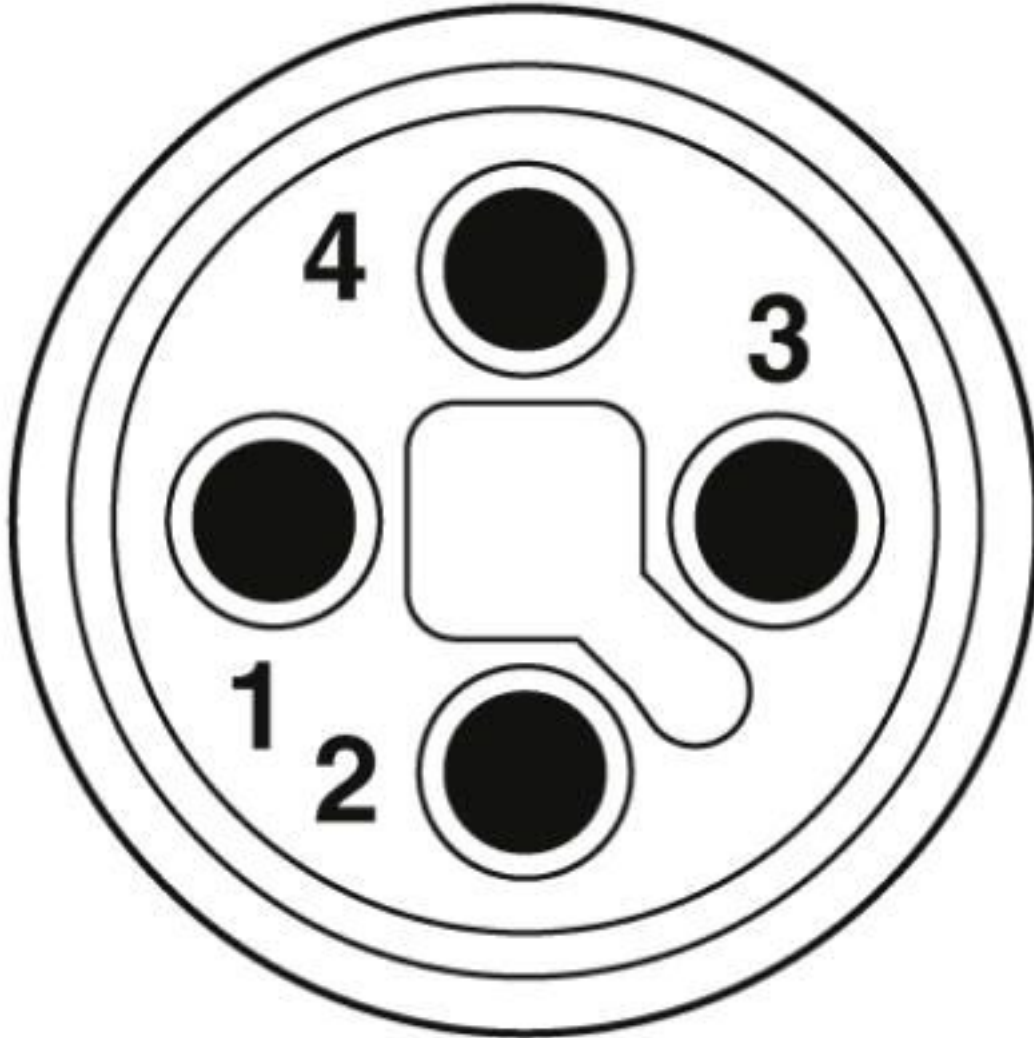
Dimensional drawing



SMD tray packaging

Flush-type connector - SACC-CI-M12MST-4P SMD T - 1411931

Schematic diagram



Connector pin assignment of M12 plug, 4-pos., T-coded, view of pin side

Classifications

eCl@ss

| | |
|---------------|----------|
| eCl@ss 10.0.1 | 27440102 |
| eCl@ss 4.0 | 27140800 |
| eCl@ss 4.1 | 27140800 |
| eCl@ss 5.0 | 27143400 |
| eCl@ss 5.1 | 27143400 |

Flush-type connector - SACC-CI-M12MST-4P SMD T - 1411931

Classifications

eCl@ss

| | |
|------------|----------|
| eCl@ss 6.0 | 27279200 |
| eCl@ss 7.0 | 27440103 |
| eCl@ss 8.0 | 27440103 |
| eCl@ss 9.0 | 27440102 |

ETIM

| | |
|----------|----------|
| ETIM 5.0 | EC002061 |
| ETIM 6.0 | EC002061 |

UNSPSC

| | |
|-------------|----------|
| UNSPSC 13.2 | 39121413 |
| UNSPSC 18.0 | 39121413 |
| UNSPSC 19.0 | 39121413 |
| UNSPSC 20.0 | 39121413 |
| UNSPSC 21.0 | 39121413 |

Approvals


Approvals


Approvals

EAC / UL Recognized / cUL Recognized / cULus Recognized

Ex Approvals

Approval details


| | | |
|-----|---|---------|
| EAC |  | B.01687 |
|-----|---|---------|


| | | | |
|--------------------|---|---|------------------|
| UL Recognized |  | http://database.ul.com/cgi-bin/XYV/template/LISEXT/1FRAME/index.htm | E468743-20190917 |
| Nominal voltage UN | 63 V | | |
| Nominal current IN | 10 A | | |

Flush-type connector - SACC-CI-M12MST-4P SMD T - 1411931

Approvals

| | |
|---------------|----|
| mm²/AWG/kcmil | 16 |
|---------------|----|

| | | | |
|--------------------|---|---|------------------|
| cUL Recognized |  | http://database.ul.com/cgi-bin/XYV/template/LISEXT/1FRAME/index.htm | E468743-20190917 |
| Nominal voltage UN | 63 V | | |
| Nominal current IN | 8 A | | |
| mm²/AWG/kcmil | 16 | | |

| | |
|------------------|---|
| cULus Recognized |  |
|------------------|---|

Accessories

Accessories

Panel mounting base

Housing screw connection - SACC-BP-M-M12/M15-6-SMD - 1414000



Housing screw connection, Plug, M12, Rear mounting, M15 x 1

Housing screw connection - SACC-BP-M-M12/M15-6-SMD SCO - 1414002



Housing screw connection, Plug, M12-SPEEDCON, Rear mounting, M15 x 1

Flush-type connector - SACC-CI-M12MST-4P SMD T - 1411931

Accessories

Housing screw connection - SACC-FP-M-M12/M14 SMD - 1412078



M12 pin, front mounting SMD with M14 screw fastening

Housing screw connection - SACC-FP-M-M12/PRESS SMD - 1412080



Housing screw connection, pin, for the two-part M12 SMD connector, for press-in mounting.

Housing screw connection - SACC-BP-M-M12-SMD PP - 1107993



Housing screw connection, Plug, M12-Push-Pull, Rear mounting, M15 x 1, THR- und Wellenlötkontakte

Housing screw connection - SACC-FP-M-M12-SMD PP - 1107999



Housing screw connection, Plug, M12-Push-Pull, Front mounting, M14 x 1, THR- und Wellenlötkontakte
