

Panel mounting frame set - CUC-V06-F1PGY-UBB/UBAB - 1411905


Please be informed that the data shown in this PDF Document is generated from our Online Catalog. Please find the complete data in the user's documentation. Our General Terms of Use for Downloads are valid (<http://phoenixcontact.com/download>)



USB socket insert, 4-pos., USB socket type A to USB socket type B, socket type B to panel mounting frame side, for the Freenet system in the panel mounting frame, IP20 terminal outlet, 19" patch panel, and service interface



Key Commercial Data

Packing unit	1 pc
Minimum order quantity	5 pc
GTIN	 4 046356 945004
GTIN	4046356945004
Weight per Piece (excluding packing)	40.000 g
Custom tariff number	85366990
Country of origin	Germany

Technical data

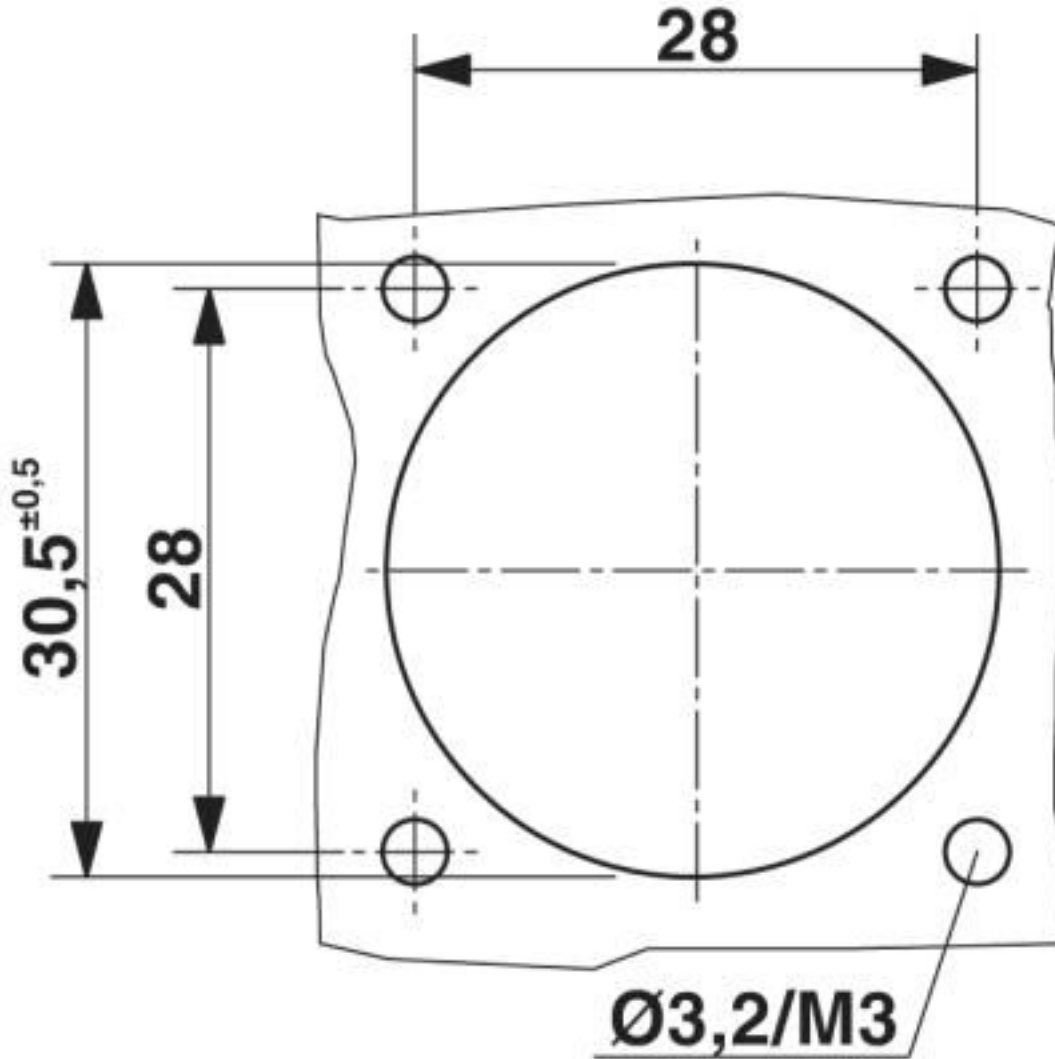
Environmental Product Compliance

China RoHS	Environmentally friendly use period: unlimited = EFUP-e
	No hazardous substances above threshold values

Drawings

Panel mounting frame set - CUC-V06-F1PGY-UBB/UBAB - 1411905

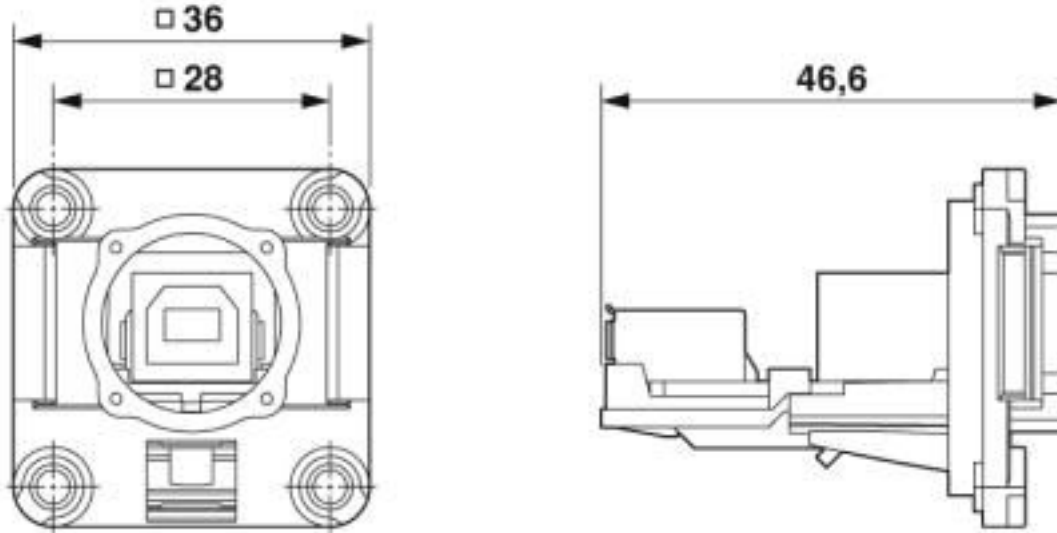
Dimensional drawing



Mounting cutout

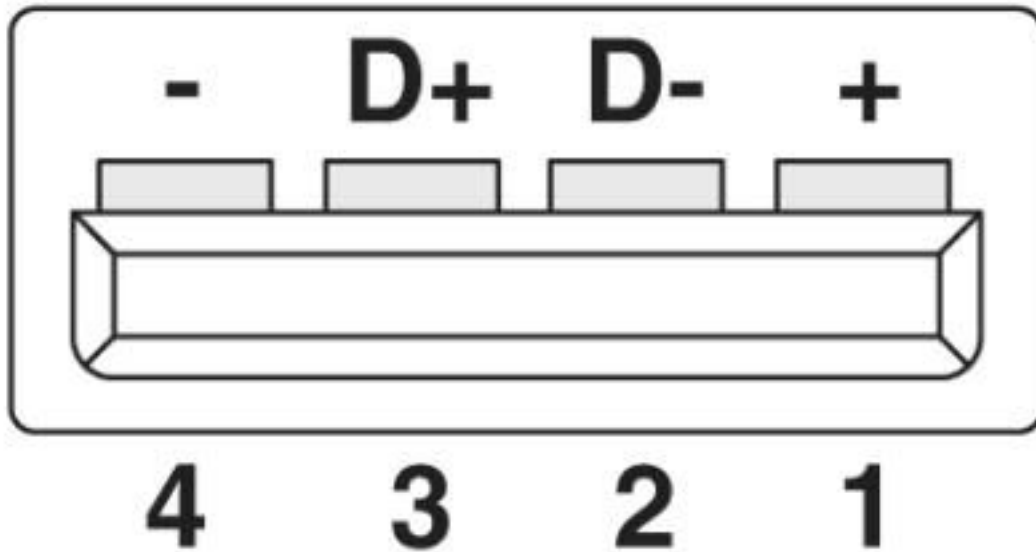
Panel mounting frame set - CUC-V06-F1PGY-UBB/UBAB - 1411905

Dimensional drawing



Dimensional drawing

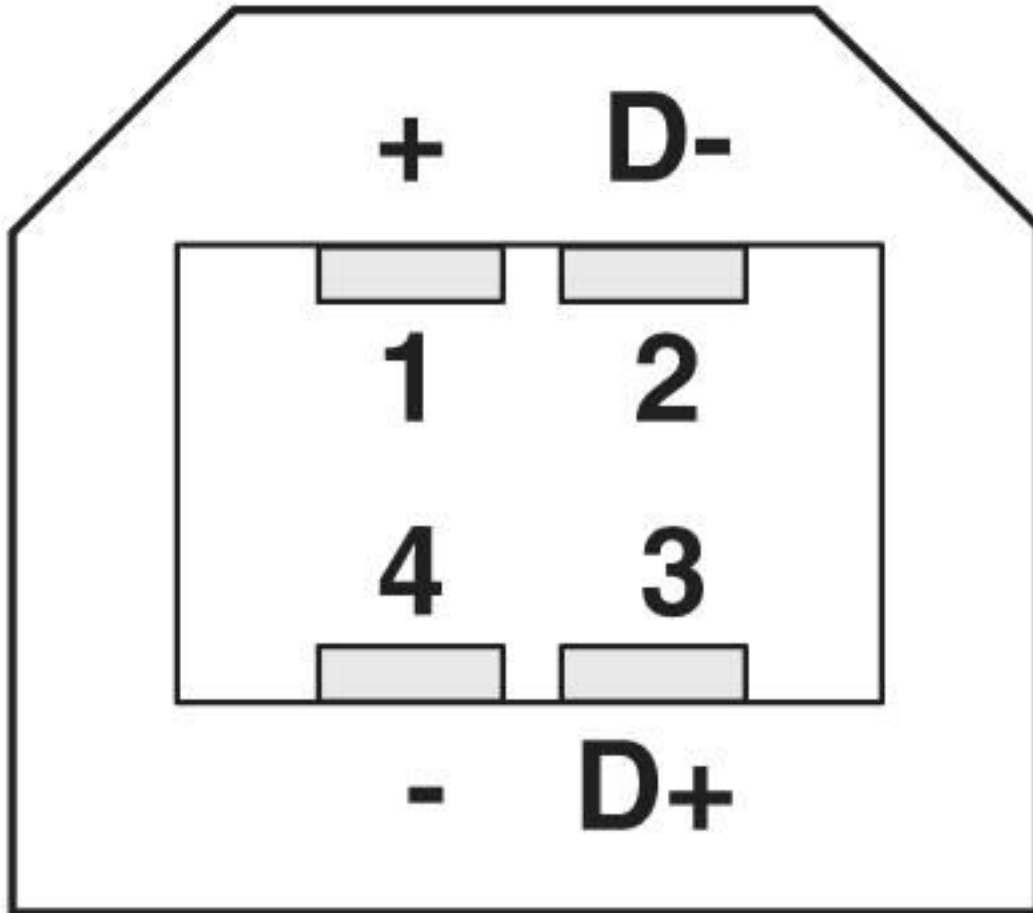
Schematic diagram



Pin assignment socket USB, type A

Panel mounting frame set - CUC-V06-F1PGY-UBB/UBAB - 1411905

Schematic diagram



Pin assignment socket USB, type B

Classifications

eCl@ss

eCl@ss 10.0.1	27440390
eCl@ss 5.0	24210100
eCl@ss 5.1	24210100
eCl@ss 6.0	19150700
eCl@ss 7.0	27440390
eCl@ss 8.0	27440390
eCl@ss 9.0	27440390

Panel mounting frame set - CUC-V06-F1PGY-UBB/UBAB - 1411905

Classifications

ETIM

ETIM 4.0	EC001121
ETIM 5.0	EC001121
ETIM 6.0	EC001121
ETIM 7.0	EC001121

UNSPSC

UNSPSC 13.2	39121409
UNSPSC 18.0	39121409
UNSPSC 19.0	39121409
UNSPSC 20.0	39121409
UNSPSC 21.0	39121409

Approvals


Approvals

Approvals

EAC

Ex Approvals

Approval details

EAC		B.01742
-----	---	---------