

Housing - HC-HPR-B10-HHWH-1TTM25-EM-BK - 1411882

Please be informed that the data shown in this PDF Document is generated from our Online Catalog. Please find the complete data in the user's documentation. Our General Terms of Use for Downloads are valid (<http://phoenixcontact.com/download>)



HEAVYCON B10 sleeve housing, HPR series, with screw locking, with M25 thread, straight outlet, for increased environmental and EMC requirements

Your advantages

- Vibration and shock: IEC 61373/EN 50155, category 1, class 1B

COMPLETE RoHS

Key Commercial Data

Packing unit	1 pc
GTIN	 4 046356 944502
GTIN	4046356944502
Custom tariff number	85389099
Country of origin	China

Technical data

Dimensions

Height	100.5 mm
Width	58 mm
Length	145 mm

Ambient conditions

Degree of protection of housing (IP)	IP66
	IP68 (0.5 bar / 24 h)
	IP69 (ISO 20653:2013-02)
Ambient temperature (operation)	-40 °C ... 125 °C

General

Housing - HC-HPR-B10-HHWH-1TTM25-EM-BK - 1411882

Technical data

General

Note	For contact inserts HC-B10, BB18, DD42, M, K8/24
Size	B10
Housing type	Sleeve housing
Color	black
Locking type	with screw locking
No. of cable outlets	1
Cable outlet	straight
Screw connection	none
Type of the screw connection	1x M25
Protective cover	no
Housing material	Aluminum die-cast
Housing surface material	Powder-coated, black
Material of locking screw	Stainless steel
Assembly instructions	M6 locking screw, slotted hexagon head screw (SW10), tightening torque: 4 Nm

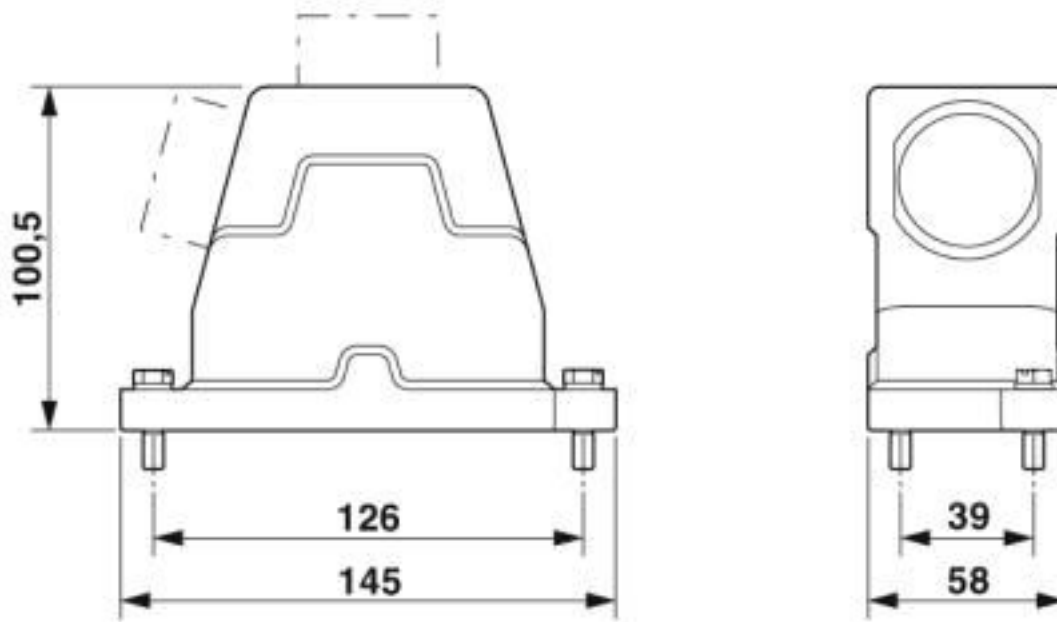
Environmental Product Compliance

China RoHS	Environmentally Friendly Use Period = 50 years
	For details about hazardous substances go to tab "Downloads", Category "Manufacturer's declaration"

Drawings

Housing - HC-HPR-B10-HHWH-1TTM25-EM-BK - 1411882

Dimensional drawing



Dimensional drawing

Classifications

eCl@ss

eCl@ss 10.0.1	27440202
eCl@ss 5.1	27261200
eCl@ss 6.0	27261200
eCl@ss 7.0	27440202
eCl@ss 8.0	27440202
eCl@ss 9.0	27440202

ETIM

ETIM 4.0	EC000437
ETIM 5.0	EC000437
ETIM 6.0	EC000437
ETIM 7.0	EC000437

UNSPSC

UNSPSC 13.2	31261501
UNSPSC 18.0	31261501
UNSPSC 19.0	31261501

Housing - HC-HPR-B10-HHWH-1TTM25-EM-BK - 1411882

Classifications

UNSPSC

UNSPSC 20.0	31261501
UNSPSC 21.0	31261501

Approvals

Approvals

Approvals

EAC / DNV GL

Ex Approvals

Approval details

EAC		RU C- DE.AI30.B.01102
-----	--	--------------------------

DNV GL		https://approvalfinder.dnvgl.com/	TAE000037S
--------	--	---	------------

Accessories

Accessories

Extension adapter

Extension adapter - ENLAR-M-KV-M25/M32 - 1647679



Step-up adapter, M25 to M32, including O-ring

Full screw connection

Housing - HC-HPR-B10-HHWH-1TTM25-EM-BK - 1411882

Accessories

Cable gland - G-INS-M25-M68N-PNES-GY - 1411126



Cable gland, cable gland material: PA, external cable diameter 11 mm ... 17 mm, shielding: no, connecting thread: M25 x 1.5, color: silver-gray RAL 7001

Cable gland - G-INS-M25-M68N-PNES-BK - 1411134



Cable gland, cable gland material: PA, external cable diameter 11 mm ... 17 mm, shielding: no, connecting thread: M25 x 1.5, color: jet black RAL 9005

Cable gland - G-INS-M25-M68N-NNES-S - 1411165



Cable gland, cable gland material: Nickel-plated brass, external cable diameter 11 mm ... 17 mm, shielding: no, connecting thread: M25 x 1.5, color: silver, with O-ring

Cable gland - HC-M-KV-M25(14-21) - 1646007



Metal screw connection up to 5 bar, thread length: 7 mm, cable diameter: 14 - 21 mm, WAF 34, screw connection: M25

Cable gland - G-INSEC-M25-S68N-NCRS-S - 1411190



Cable gland, cable gland material: Nickel-plated brass, external cable diameter 11 mm ... 16 mm, shielding: yes, connecting thread: M25 x 1.5, color: silver, with O-ring

Housing - HC-HPR-B10-HHWH-1TTM25-EM-BK - 1411882

Accessories

Cable gland - G-INESR-M25-M68N-NEPDS-S - 1415193



Cable gland, cable gland material: Nickel-plated brass, external cable diameter 9 mm ... 17 mm, shielding: no, connecting thread: M25 x 1.5, color: silver, with external strain relief, with O-ring

Cable gland - HC-M-KV-T-M25 - 1646191



Metal screw connection with cable bend protection and strain relief, thread length: 7 mm, cable sealing area: 10 - 19 mm, clamping area: 14 - 21 mm, SW 30, screw connection: M25

Plug for cable screw gland

Screw plug - HC-M-BS-M25 - 1645859



Screw plug, cable gland material: Nickel-plated brass, connecting thread: M25 x 1.5, color: silver

Reducing adapter

Reducing adapter - REDUC-M-KV-M25/M20 - 1647624



Reducing adapter, material: Brass, nickel-plated, connecting thread: M25 x 1.5, color: silver, with O-ring
