

Flush-type socket - SACC-DSIV-FSX-8CON-L180 SCO - 1411820

Please be informed that the data shown in this PDF Document is generated from our Online Catalog. Please find the complete data in the user's documentation. Our General Terms of Use for Downloads are valid (<http://phoenixcontact.com/download>)




Flush-type socket, CAT6_A, Ethernet, 8-pos., M12 SPEEDCON, rear/screw mounting with M12 fastening thread, with straight solder connection

M12 flush-type socket, front mounting



Key Commercial Data

Packing unit	1
GTIN	 4 046356 956376
GTIN	4046356956376
Custom tariff number	85366990

Technical data

Ambient conditions

Degree of protection	IP67 (When plugged in)
----------------------	------------------------

General

Rated current at 40°C	0.5 A
Rated voltage	50 V AC 60 V DC
Rated surge voltage	1.5 kV
Number of positions	8
Insulation resistance	> 100 MΩ
Signal type/category	Ethernet CAT6 _A
Overvoltage category	III
Degree of pollution	3

Flush-type socket - SACC-DSIV-FSX-8CON-L180 SCO - 1411820

Technical data

General

Connection method	THR solder connection
Insertion/withdrawal cycles	≥ 100
Transmission characteristics (category)	CAT6 _A

Material

Flammability rating according to UL 94	V0
Contact material	CuZn
Contact surface material	Ni/Au
Contact carrier material	PPA
Material of grip body	Zinc die-cast, nickel-plated
Material, knurls	Zinc die-cast, nickel-plated
Material	Zinc die-cast (nickel-plated)
Sealing material	EPDM

Cable

Transmission characteristics (category)	CAT6 _A
---	-------------------

Standards and Regulations

Flammability rating according to UL 94	V0
--	----

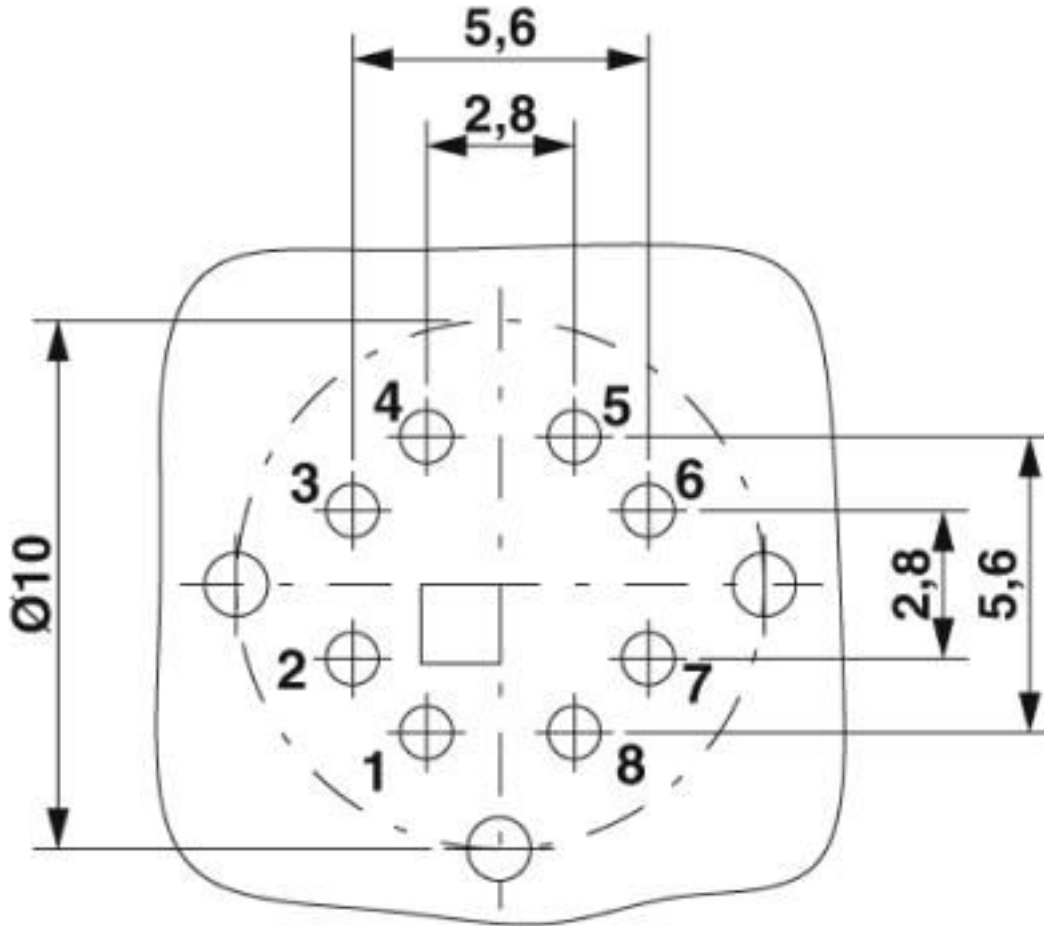
Environmental Product Compliance

REACH SVHC	Lead 7439-92-1
China RoHS	Environmentally Friendly Use Period = 50 years
	For details about hazardous substances go to tab "Downloads", Category "Manufacturer's declaration"

Drawings

Flush-type socket - SACC-DSIV-FSX-8CON-L180 SCO - 1411820

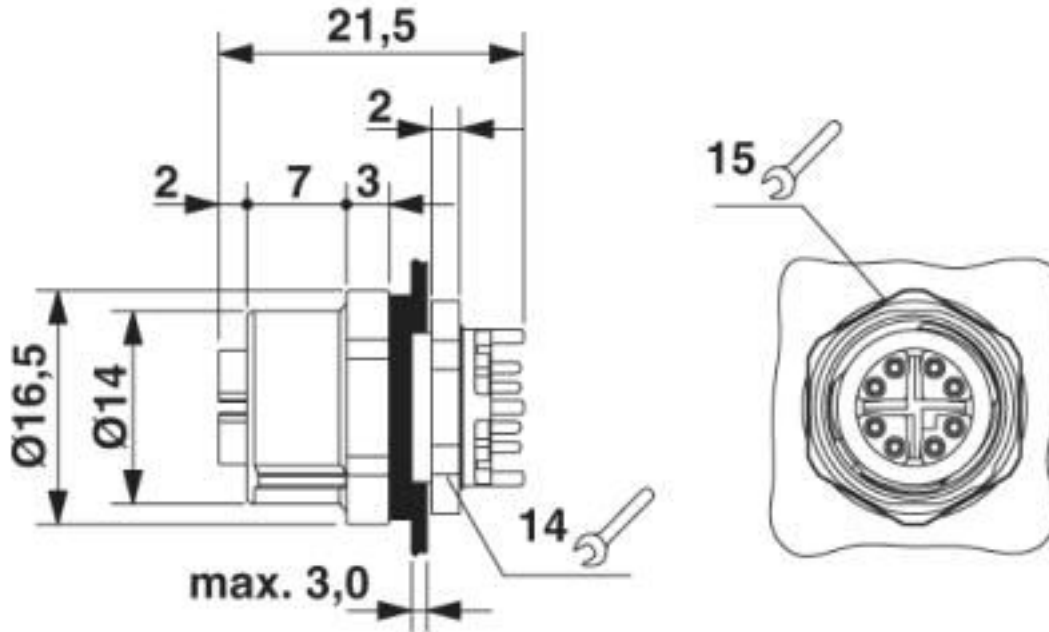
Drilling diagram



Soldering pad geometry

Flush-type socket - SACC-DSIV-FSX-8CON-L180 SCO - 1411820

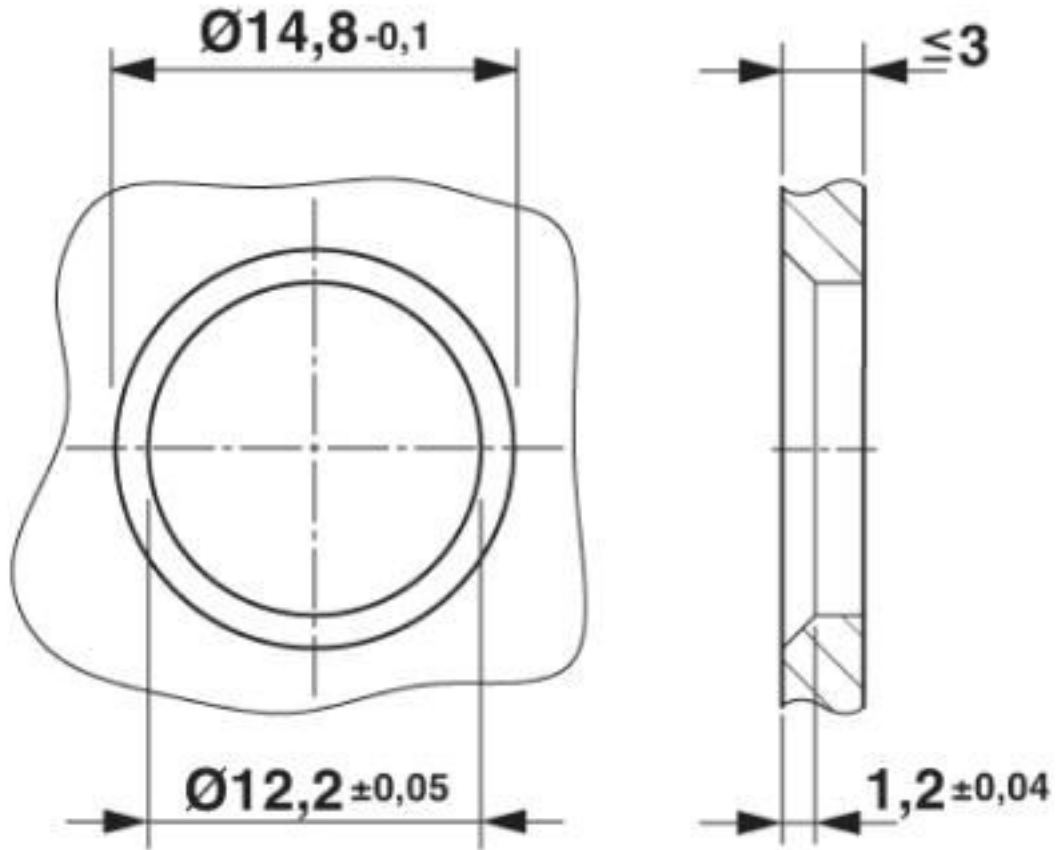
Dimensional drawing



M12 flush-type socket

Flush-type socket - SACC-DSIV-FSX-8CON-L180 SCO - 1411820

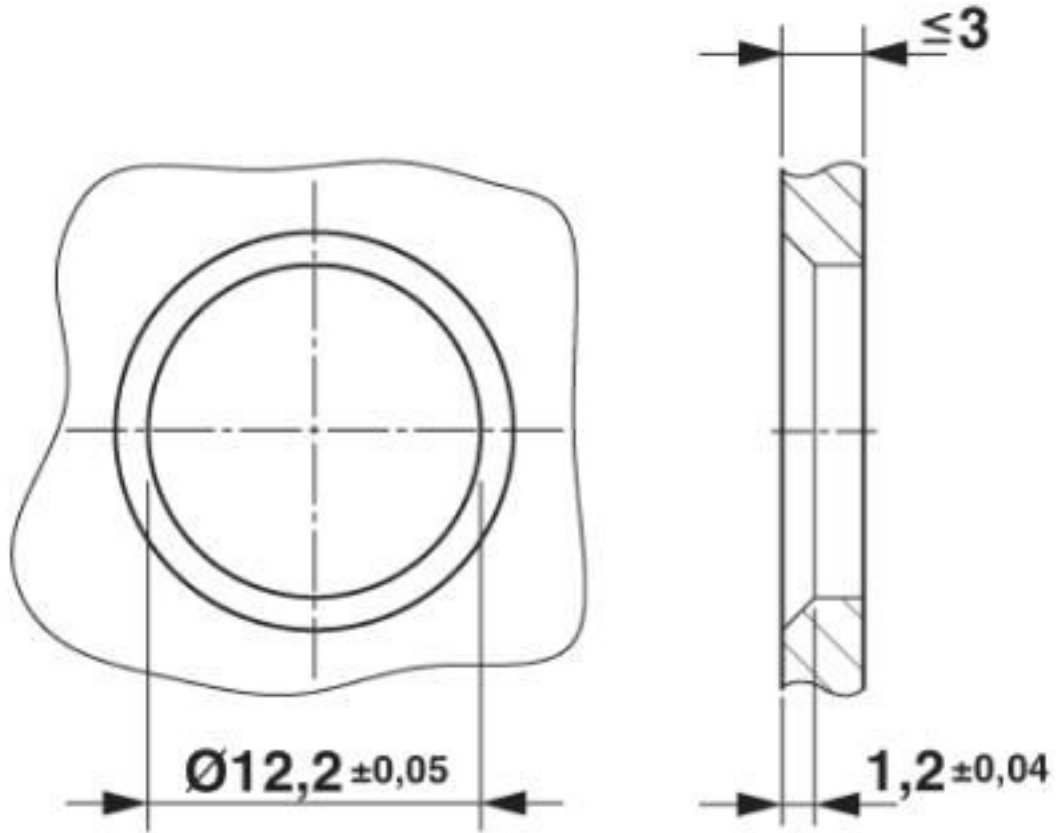
Dimensional drawing



Housing cut-out for two-part M12 flush-type connectors with THR and wave soldering connection, version 1

Flush-type socket - SACC-DSIV-FSX-8CON-L180 SCO - 1411820

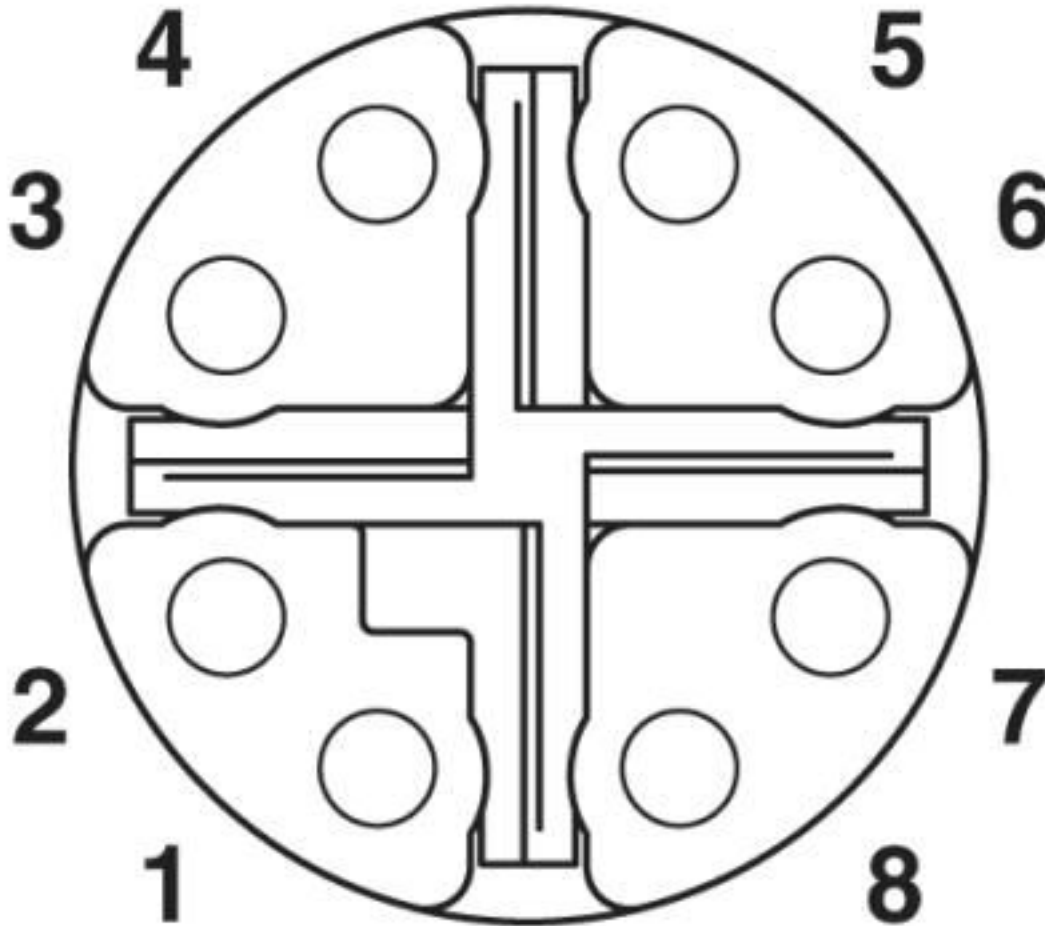
Dimensional drawing



Housing cut-out for two-part M12 flush-type connectors with THR and wave soldering connection, version 2

Flush-type socket - SACC-DSIV-FSX-8CON-L180 SCO - 1411820

Schematic diagram



M12 socket pin assignment, 8-pos, view of socket side

Classifications

eCl@ss

eCl@ss 10.0.1	27440102
eCl@ss 4.0	27140800
eCl@ss 4.1	27140800
eCl@ss 5.0	27143400
eCl@ss 5.1	27143400
eCl@ss 6.0	27279200
eCl@ss 7.0	27440103
eCl@ss 8.0	27440103

Flush-type socket - SACC-DSIV-FSX-8CON-L180 SCO - 1411820

Classifications

eCl@ss

eCl@ss 9.0	27440102
------------	----------

ETIM

ETIM 4.0	EC002635
ETIM 5.0	EC002061
ETIM 6.0	EC002061

UNSPSC

UNSPSC 13.2	39121413
UNSPSC 18.0	39121413
UNSPSC 19.0	39121413
UNSPSC 20.0	39121413
UNSPSC 21.0	39121413

Approvals


Approvals


Approvals

UL Recognized / cUL Recognized / EAC / cULus Recognized

Ex Approvals

Approval details

UL Recognized		http://database.ul.com/cgi-bin/XYV/template/LISEXT/1FRAME/index.htm	E335024-20120308
Nominal voltage UN	60 V		
Nominal current IN	0.5 A		

cUL Recognized		http://database.ul.com/cgi-bin/XYV/template/LISEXT/1FRAME/index.htm	E335024-20120308
Nominal voltage UN	60 V		

Flush-type socket - SACC-DSIV-FSX-8CON-L180 SCO - 1411820

Approvals

Nominal current I _N	0.5 A
--------------------------------	-------

EAC		B.01687
-----	---	---------

cULus Recognized	
------------------	---