

## Connector set - HC-EVO-B16PT-BWSC-HH-M25ELC-AL - 1411492

Please be informed that the data shown in this PDF Document is generated from our Online Catalog. Please find the complete data in the user's documentation. Our General Terms of Use for Downloads are valid (<http://phoenixcontact.com/download>)




EVO connector set, B16 series, metal housing, consisting of sleeve housing 1411461, panel mounting base 1411325, EVO screw connection 1411446, pin contact insert 1407732, socket contact insert 1407731



COMPLETE

### Key Commercial Data

Packing unit	1 pc
GTIN	 4 046356 932929
GTIN	4046356932929
Weight per Piece (excluding packing)	680.000 g
Custom tariff number	85366990
Country of origin	Germany

### Technical data

#### General

Number of positions	16+PE
Type	B16
Connection method	Push-in connection
Cable outlet	straight
	lateral
Degree of protection for housing	IP66
	IP67
	4 (UL 50e)
	4X (UL 50e)
	12 (UL 50e)
Connection method	Push-in connection

## Connector set - HC-EVO-B16PT-BWSC-HH-M25ELC-AL - 1411492

### Technical data

#### General

Rated voltage (III/3)	500 V
Rated surge voltage	6 kV
Rated current	16 A
Conductor cross section	0.14 mm <sup>2</sup> ... 2.5 mm <sup>2</sup> (with ferrule)
Connection cross section AWG	26 ... 14
External cable diameter	11 mm ... 16 mm
Ambient temperature (operation)	-40 °C ... 100 °C
Length of the assembly cutout	86 mm
Width of the assembly cutout	35 mm
Housing material	Die-cast aluminum, corrosion resistant
Contact carrier material	PA
Locking latch material	PA
Integrated protective cover	Yes

#### Standards and Regulations

Flammability rating according to UL 94	V0
--	----

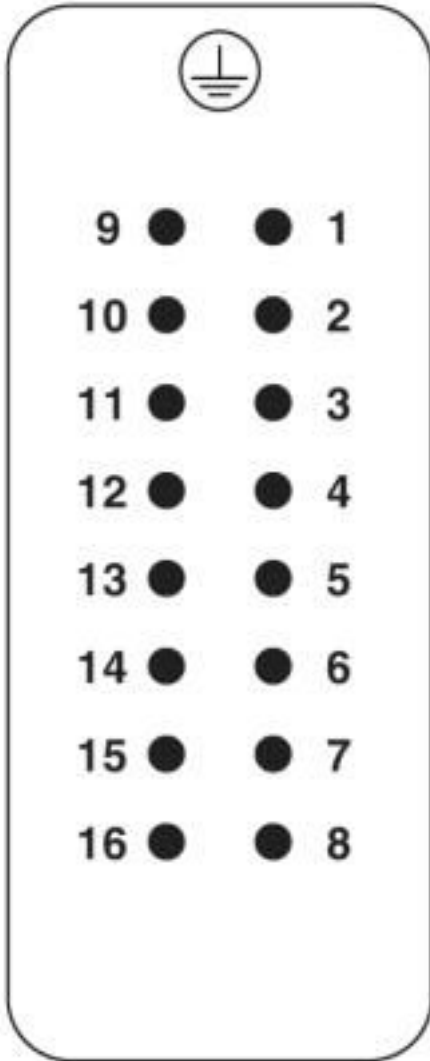
#### Environmental Product Compliance

REACH SVHC	Lead 7439-92-1
------------	----------------

### Drawings

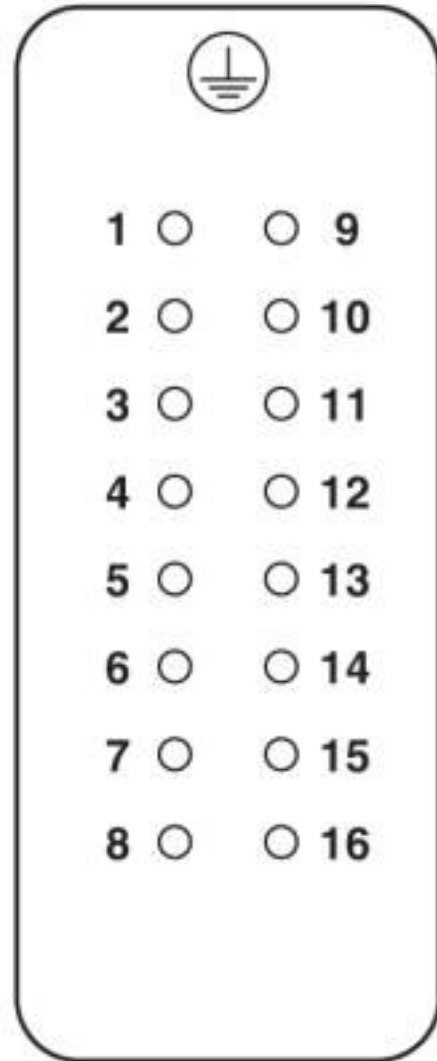
# Connector set - HC-EVO-B16PT-BWSC-HH-M25ELC-AL - 1411492

Schematic diagram



Pin assignment, connection side, pin

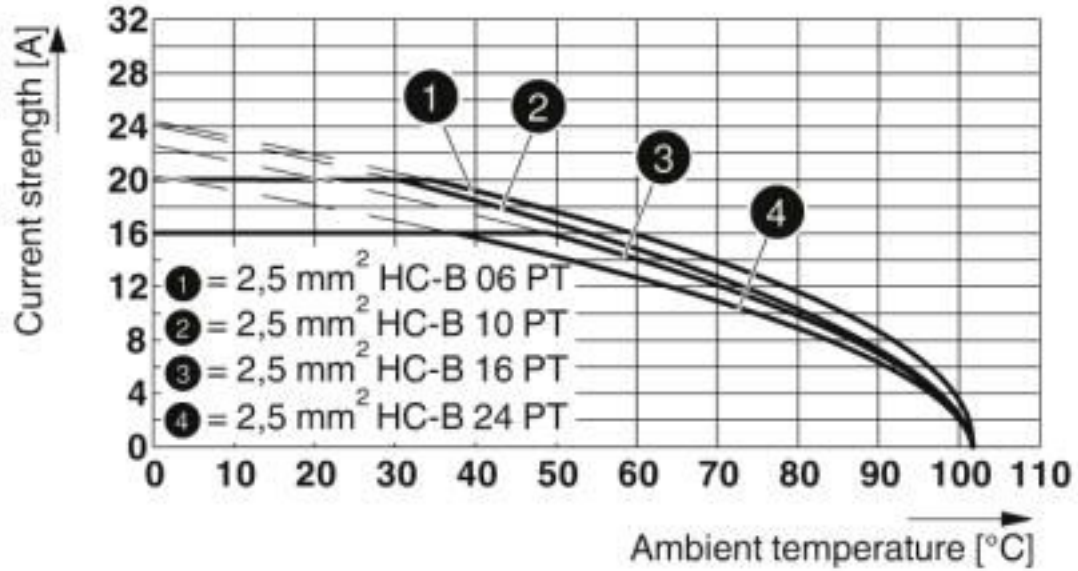
Schematic diagram



Pin assignment, connection side, socket

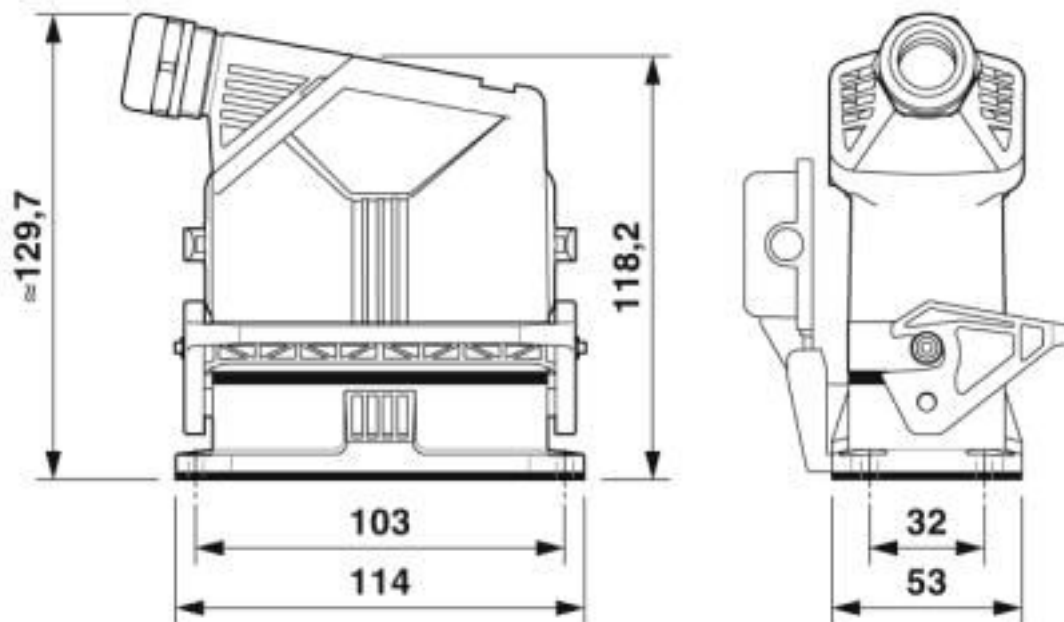
# Connector set - HC-EVO-B16PT-BWSC-HH-M25ELC-AL - 1411492

Diagram



Derating diagram

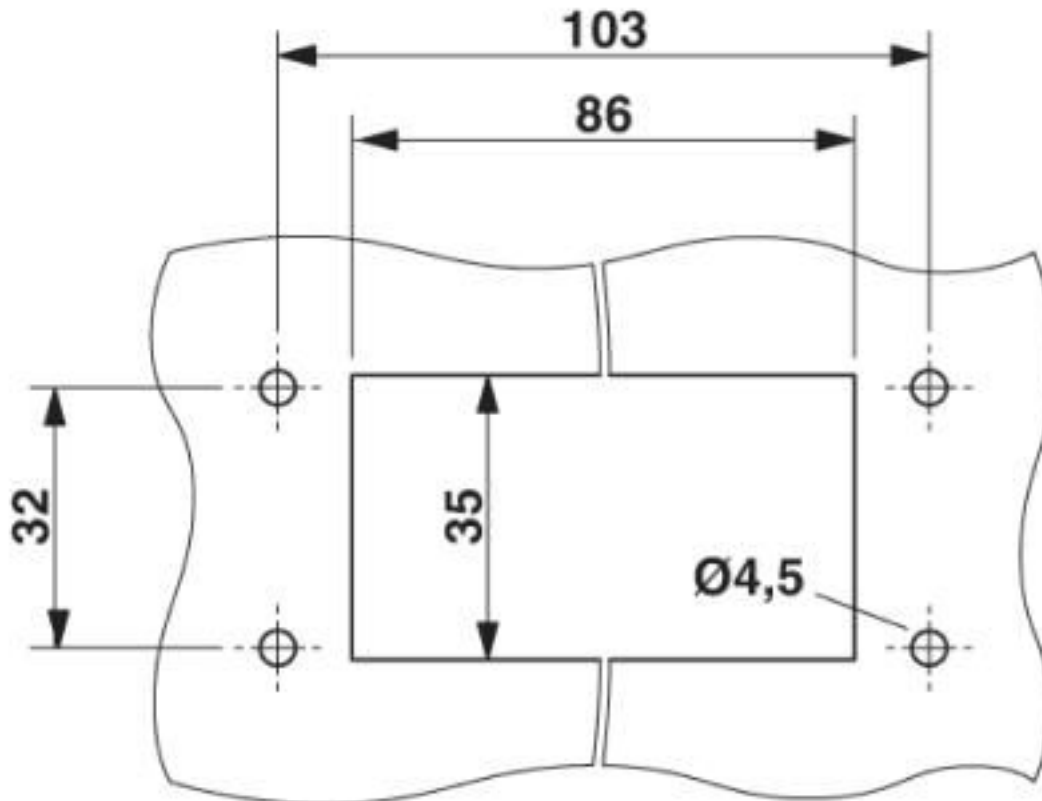
Dimensional drawing



Dimensional drawing

## Connector set - HC-EVO-B16PT-BWSC-HH-M25ELC-AL - 1411492

Dimensional drawing



Mounting cutout

### Articles in set

Contact insert - HC-B16-I-PT-F - 1407731



HEAVYCON socket insert, B16 series, 16 + PE-pos., push-in connection

Contact insert - HC-B16-I-PT-M - 1407732



HEAVYCON pin insert, B16 series, 16 + PE-pos., push-in connection

# Connector set - HC-EVO-B16PT-BWSC-HH-M25ELC-AL - 1411492

## Articles in set

---

Housing - HC-STA-B16-BWSC-ELC-AL - 1411325



HEAVYCON B16 panel mounting base, with single locking latch, with plastic protective cover, with flat gasket, salt-water-resistant aluminum, conductive profile gasket.

---

Housing - HC-EVO-B16-HHFS-EL-AL - 1411461



HEAVYCON EVO sleeve housing, EMC version, without powder coating, with bayonet flange for EVO screw connection, B16, for single locking latch, height: 88 mm, without EVO screw connection.

---

Cable gland - HC-B-G-M25-EC-AL - 1411446



EVO EMC cable gland with bayonet locking, B series, size M25, cable diameter: 11 - 16 mm

---

## Classifications

### eCl@ss

eCl@ss 10.0.1	27440101
eCl@ss 4.0	27260700
eCl@ss 4.1	27260700
eCl@ss 5.0	27260700
eCl@ss 5.1	27260700
eCl@ss 6.0	27260700
eCl@ss 7.0	27440101
eCl@ss 8.0	27440101
eCl@ss 9.0	27440101

### ETIM

ETIM 4.0	EC002641
----------	----------

# Connector set - HC-EVO-B16PT-BWSC-HH-M25ELC-AL - 1411492

## Classifications

### ETIM

ETIM 5.0	EC002636
ETIM 6.0	EC002636
ETIM 7.0	EC002636

### UNSPSC

UNSPSC 13.2	39121409
UNSPSC 18.0	39121409
UNSPSC 19.0	39121409
UNSPSC 20.0	39121409
UNSPSC 21.0	39121409

## Approvals

### Approvals

Approvals

EAC / DNV GL / EAC / EAC

Ex Approvals

### Approval details

EAC		RU C- DE.AI30.B.01102
-----	--	--------------------------

DNV GL		<a href="https://approvalfinder.dnvgl.com/">https://approvalfinder.dnvgl.com/</a>	TAE000037S
--------	--	---	------------

EAC		EAC-Zulassung
-----	--	---------------

EAC		RU C- DE.BL08.B.00511
-----	--	--------------------------

## Connector set - HC-EVO-B16PT-BWSC-HH-M25ELC-AL - 1411492

### Accessories

#### Accessories

#### Device marking

Plastic label - US-EMLP-HA (20X9) - 0830989



Plastic label, Card, white, unlabeled, can be labeled with: BLUEMARK ID COLOR, BLUEMARK ID, THERMOMARK PRIME, THERMOMARK CARD 2.0, THERMOMARK CARD, mounting type: adhesive, lettering field size: 20 x 9 mm, Number of individual labels: 70

---

### Housing latches

Single locking latch - HC-B10-SL-PLBK - 1407698



Replacement single locking latch for HEAVYCON EVO housing type B10, PA