

Connector set - HC-EVO-B10PT-BWD-HL-M25ELC-AL - 1411488

Please be informed that the data shown in this PDF Document is generated from our Online Catalog. Please find the complete data in the user's documentation. Our General Terms of Use for Downloads are valid (<http://phoenixcontact.com/download>)




EVO connector set, B10 series, metal housing, consisting of: sleeve housing 1411455, panel mounting base 1411322, EVO screw connection 1411446, pin contact insert 1407730, socket contact insert 1407729



COMPLETE

Key Commercial Data

Packing unit	1 pc
GTIN	 4 046356 932882
GTIN	4046356932882
Weight per Piece (excluding packing)	500.000 g
Custom tariff number	85366990
Country of origin	Germany

Technical data

General

Number of positions	10+PE
Type	B10
Connection method	Push-in connection
Cable outlet	straight
	lateral
Degree of protection for housing	IP66
	IP67
	4 (UL 50e)
	4X (UL 50e)
	12 (UL 50e)
Connection method	Push-in connection

Connector set - HC-EVO-B10PT-BWD-HL-M25ELC-AL - 1411488

Technical data

General

Rated voltage (III/3)	500 V
Rated surge voltage	6 kV
Rated current	16 A
Conductor cross section	0.14 mm ² ... 2.5 mm ² (with ferrule)
Connection cross section AWG	26 ... 14
External cable diameter	11 mm ... 16 mm
Ambient temperature (operation)	-40 °C ... 100 °C
Length of the assembly cutout	65 mm
Width of the assembly cutout	35 mm
Housing material	Die-cast aluminum, corrosion resistant
Contact carrier material	PA
Locking latch material	PA
Integrated protective cover	no

Standards and Regulations

Flammability rating according to UL 94	V0
--	----

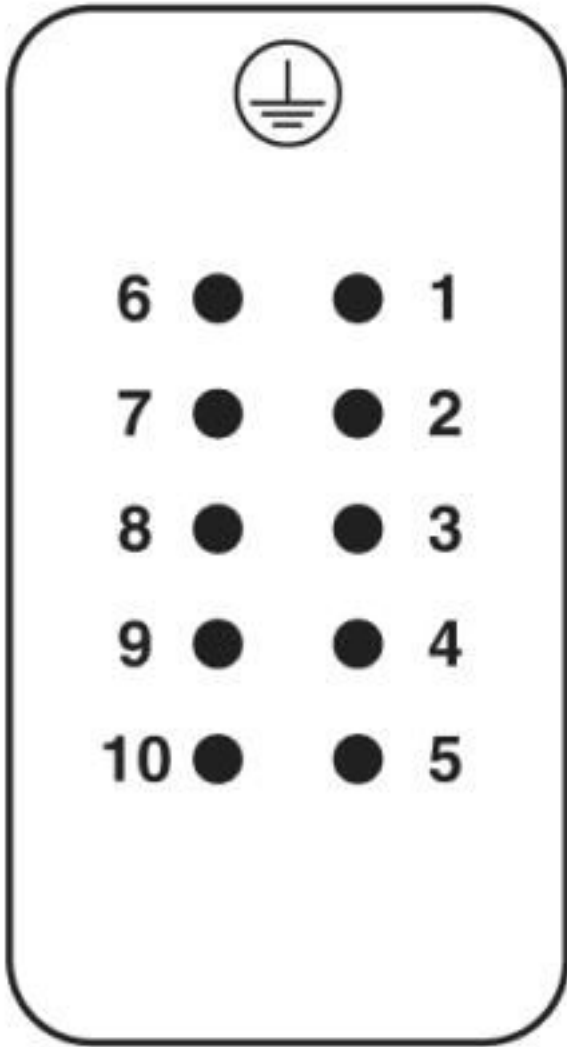
Environmental Product Compliance

REACH SVHC	Lead 7439-92-1
------------	----------------

Drawings

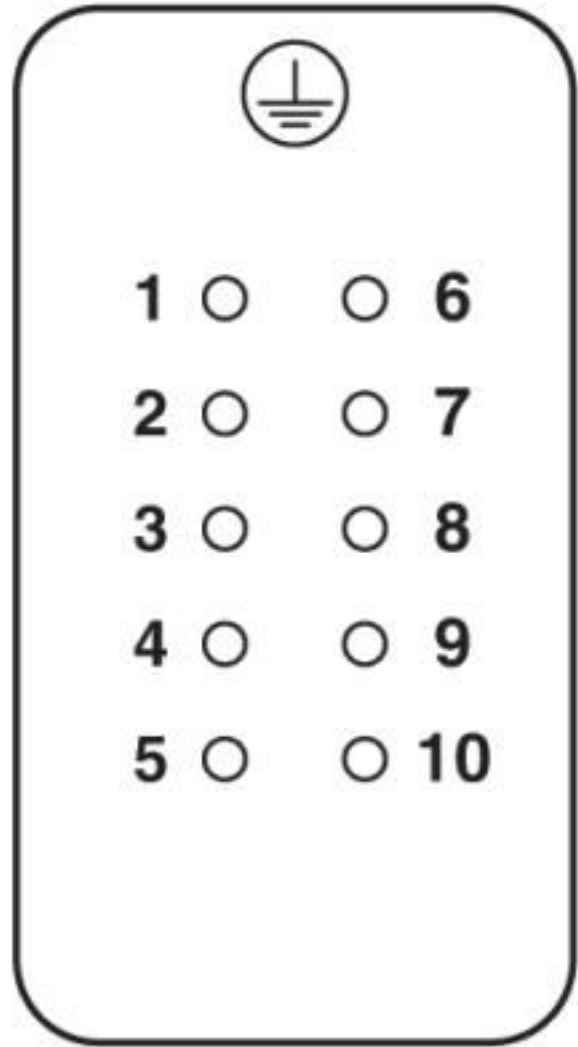
Connector set - HC-EVO-B10PT-BWD-HL-M25ELC-AL - 1411488

Schematic diagram



Pin assignment, connection side, pin

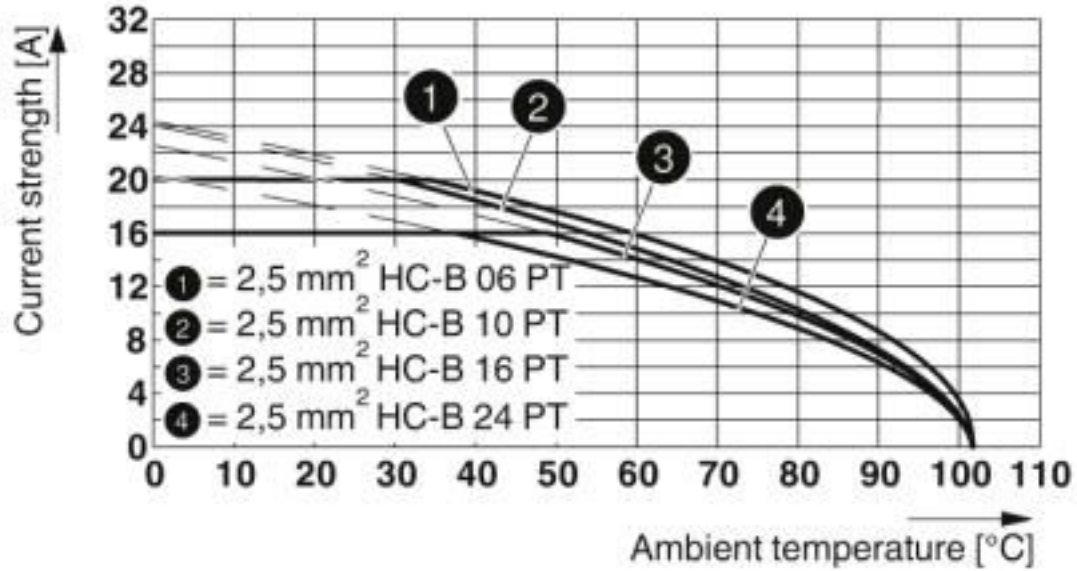
Schematic diagram



Pin assignment, connection side, socket

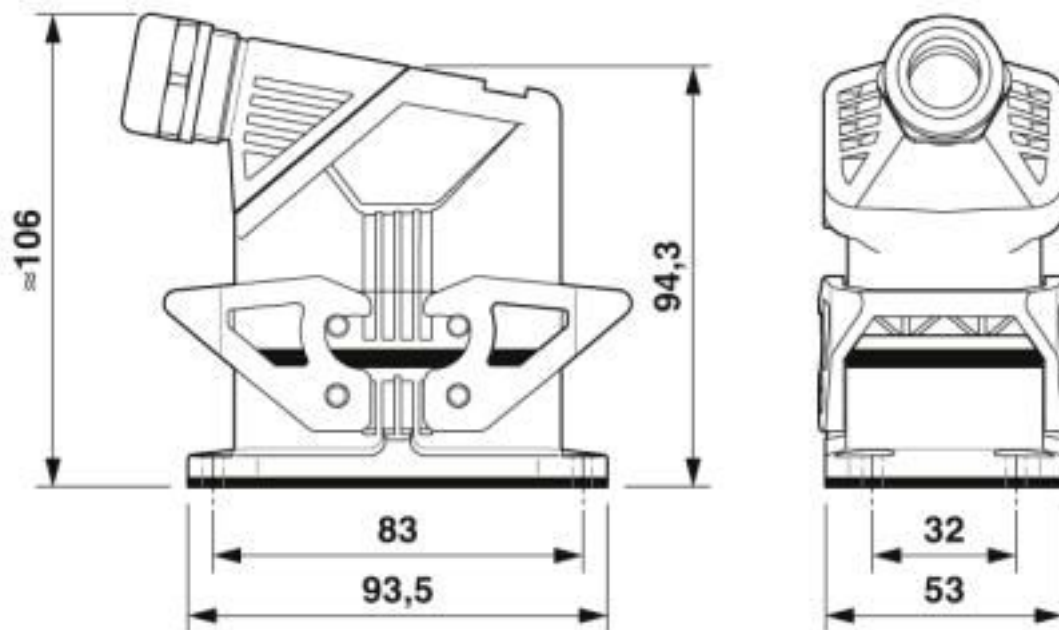
Connector set - HC-EVO-B10PT-BWD-HL-M25ELC-AL - 1411488

Diagram



Derating diagram

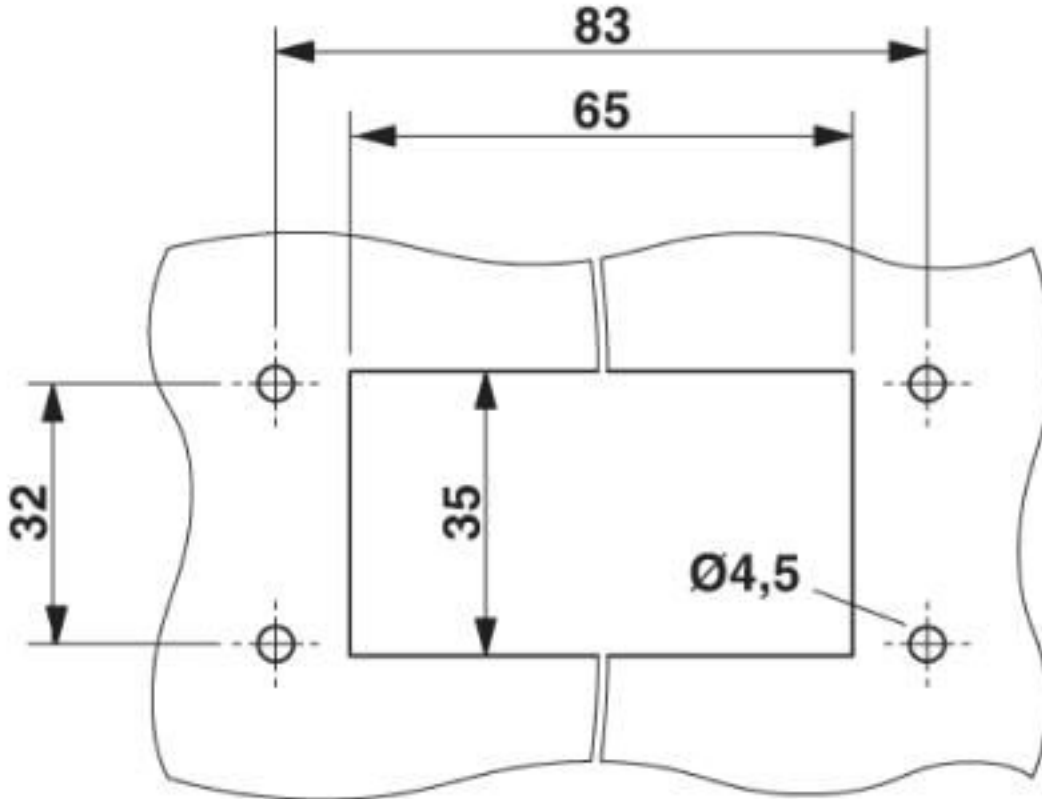
Dimensional drawing



Dimensional drawing

Connector set - HC-EVO-B10PT-BWD-HL-M25ELC-AL - 1411488

Dimensional drawing



Mounting cutout

Articles in set

Contact insert - HC-B10-I-PT-F - 1407729



HEAVYCON socket insert, B10 series, 10 + PE-pos., push-in connection

Contact insert - HC-B10-I-PT-M - 1407730



HEAVYCON pin insert, B10 series, 10 + PE-pos., push-in connection

Connector set - HC-EVO-B10PT-BWD-HL-M25ELC-AL - 1411488

Articles in set

Housing - HC-EVO-B10-HLFD-EL-AL - 1411455



HEAVYCON EVO sleeve housing, EMC version, without powder coating, with bayonet flange for EVO screw connection, B10, for double locking latch, height: 64 mm, without EVO screw connection.

Housing - HC-STA-B10-BWD-ELC-AL - 1411322



HEAVYCON B10 panel mounting base, with double locking latch, with flat gasket, salt-water-resistant aluminum, conductive profile gasket

Cable gland - HC-B-G-M25-EC-AL - 1411446



EVO EMC cable gland with bayonet locking, B series, size M25, cable diameter: 11 - 16 mm

Classifications

eCl@ss

eCl@ss 10.0.1	27440101
eCl@ss 4.0	27260700
eCl@ss 4.1	27260700
eCl@ss 5.0	27260700
eCl@ss 5.1	27260700
eCl@ss 6.0	27260700
eCl@ss 7.0	27440101
eCl@ss 8.0	27440101
eCl@ss 9.0	27440101

ETIM

ETIM 4.0	EC002641
----------	----------

Connector set - HC-EVO-B10PT-BWD-HL-M25ELC-AL - 1411488

Classifications

ETIM

ETIM 5.0	EC002636
ETIM 6.0	EC002636
ETIM 7.0	EC002636

UNSPSC

UNSPSC 13.2	39121409
UNSPSC 18.0	39121409
UNSPSC 19.0	39121409
UNSPSC 20.0	39121409
UNSPSC 21.0	39121409

Approvals

Approvals

Approvals

EAC / DNV GL / EAC

Ex Approvals

Approval details

EAC		RU C- DE.AI30.B.01102
-----	--	--------------------------

DNV GL		https://approvalfinder.dnvgl.com/	TAE000037S
--------	--	---	------------

EAC		RU C- DE.BL08.B.00511
-----	--	--------------------------

Accessories

Accessories

Device marking

Connector set - HC-EVO-B10PT-BWD-HL-M25ELC-AL - 1411488

Accessories

Plastic label - US-EMLP-HA (20X9) - 0830989



Plastic label, Card, white, unlabeled, can be labeled with: BLUEMARK ID COLOR, BLUEMARK ID, THERMOMARK PRIME, THERMOMARK CARD 2.0, THERMOMARK CARD, mounting type: adhesive, lettering field size: 20 x 9 mm, Number of individual labels: 70

Housing latches

Double locking latch - HC-B10-24-DL-PLBK - 1407696



Replacement double locking latch for HEAVYCON EVO housing, HC-B10/HC-B16/HC-B24, PA