

Flat gasket - HC-B16-SG-CBK - 1411485

Please be informed that the data shown in this PDF Document is generated from our Online Catalog. Please find the complete data in the user's documentation. Our General Terms of Use for Downloads are valid (<http://phoenixcontact.com/download>)

Replacement flat gasket, for HEAVYCON panel mounting base, HC-STA...AL, type B16, conductive



Key Commercial Data

Packing unit	1 pc
Minimum order quantity	10 pc
GTIN	 4 046356 932851
GTIN	4046356932851
Weight per Piece (excluding packing)	6.000 g
Custom tariff number	40169300
Country of origin	China

Technical data

Dimensions

Length	114 mm
Width	53 mm
Height	2 mm

Ambient conditions

Ambient temperature (operation)	-40 °C ... 125 °C
---------------------------------	-------------------

General

Material	NBR, conductive
Color	black

Environmental Product Compliance

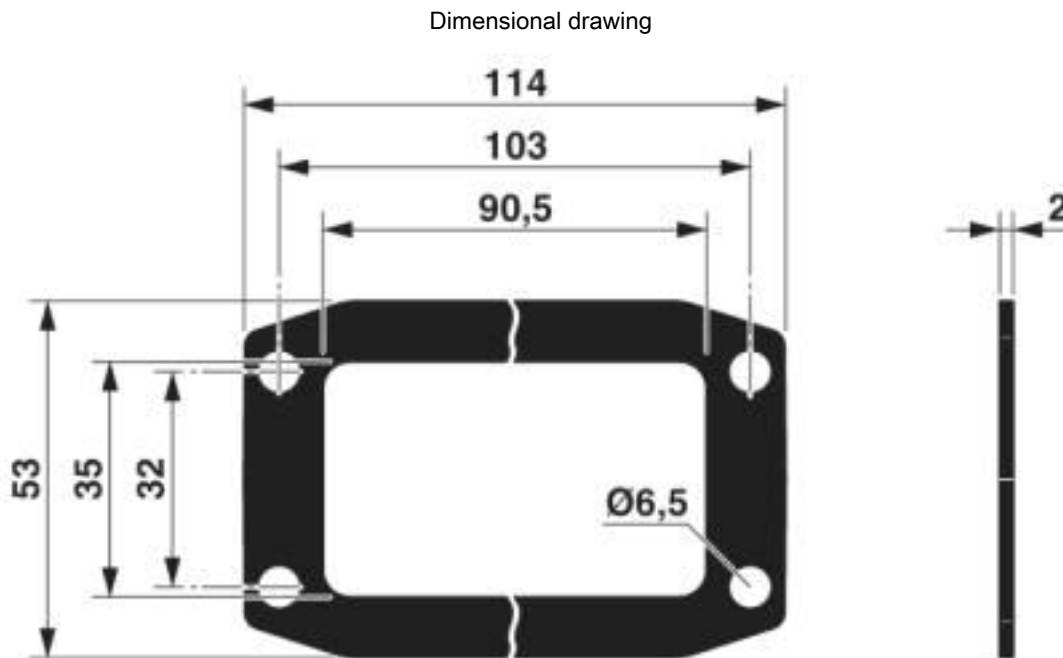
Flat gasket - HC-B16-SG-CBK - 1411485

Technical data

Environmental Product Compliance

China RoHS	Environmentally Friendly Use Period = 50 years
	For details about hazardous substances go to tab "Downloads", Category "Manufacturer's declaration"

Drawings



Dimensional drawing

Classifications

eCl@ss

eCl@ss 10.0.1	23071590
eCl@ss 4.0	27140800
eCl@ss 4.1	27140800
eCl@ss 5.0	27143400
eCl@ss 5.1	27143400
eCl@ss 6.0	23071500
eCl@ss 7.0	23071590
eCl@ss 8.0	23071590
eCl@ss 9.0	23071590

Flat gasket - HC-B16-SG-CBK - 1411485

Classifications

ETIM

ETIM 4.0	EC002498
ETIM 5.0	EC002498
ETIM 6.0	EC000761
ETIM 7.0	EC000761

UNSPSC

UNSPSC 13.2	39131505
UNSPSC 18.0	31401601
UNSPSC 19.0	31401601
UNSPSC 20.0	31401601
UNSPSC 21.0	31401601

Approvals


Approvals

Approvals

EAC

Ex Approvals

Approval details

EAC		RU C- DE.AI30.B.01102
-----	---	--------------------------