

# Cable gland - HC-B-G-M40-EC-AL - 1411441


Please be informed that the data shown in this PDF Document is generated from our Online Catalog. Please find the complete data in the user's documentation. Our General Terms of Use for Downloads are valid (<http://phoenixcontact.com/download>)



EVO EMC cable gland with bayonet locking, B series, size M40, cable diameter: 19 - 27 mm



## Key Commercial Data

Packing unit	1 pc
GTIN	 4 046356 932400
GTIN	4046356932400
Weight per Piece (excluding packing)	140.000 g
Custom tariff number	85389099
Country of origin	Germany

## Technical data

### Dimensions

Wrench size, union nut	43 mm
External cable diameter	19 mm ... 27 mm

### Ambient conditions

Degree of protection (IP)	IP66
	IP67
Degree of protection (NEMA)	4 (UL 50e)
	4X (UL 50e)
	12 (UL 50e)
Ambient temperature (operation)	-40 °C ... 125 °C (static)

### General

## Cable gland - HC-B-G-M40-EC-AL - 1411441

### Technical data

#### General

Type of the screw connection	M40
No. of conductors	1
Material	Die-cast aluminum, corrosion-resistant
Housing material	Die-cast aluminum, corrosion resistant
Cable gland material	Aluminum
Material, pressure screw	Nickel-plated brass
Seal material	NBR
Cable seal material	NBR
Sealing material	NBR (O-ring)
Shielded	yes
Tightening torque, union nut	10.00 Nm
Color	silver

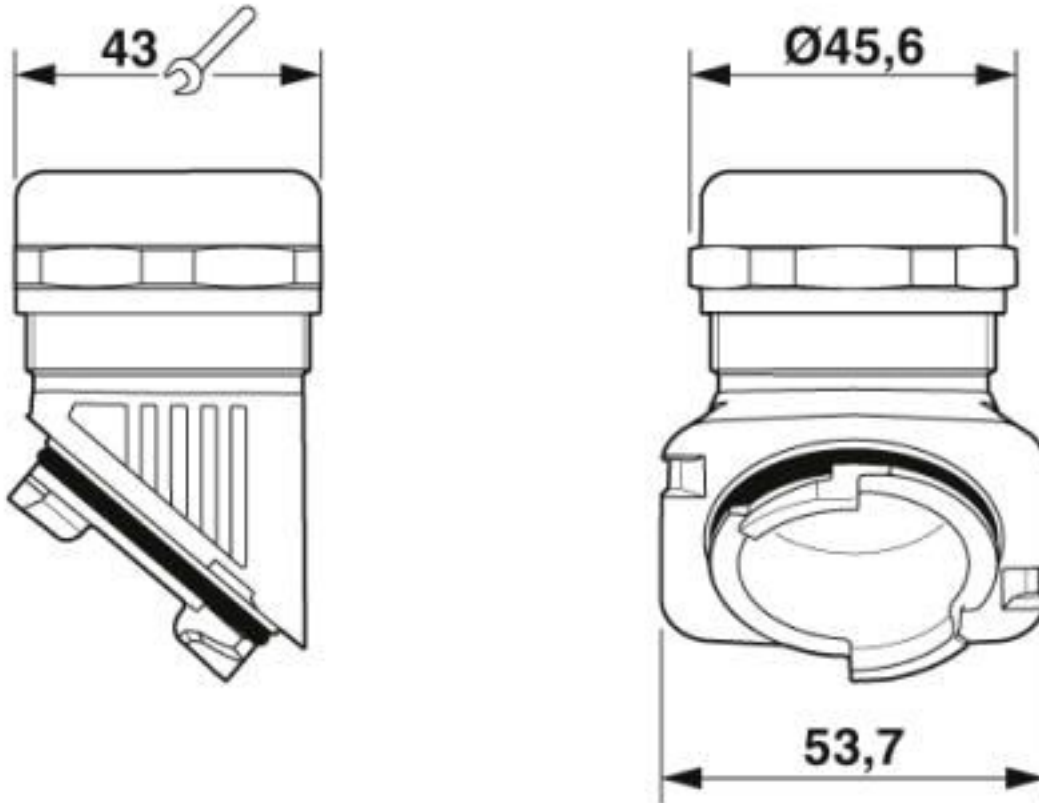
#### Environmental Product Compliance

REACH SVHC	Lead 7439-92-1
China RoHS	Environmentally Friendly Use Period = 50 years
	For details about hazardous substances go to tab "Downloads", Category "Manufacturer's declaration"

### Drawings

# Cable gland - HC-B-G-M40-EC-AL - 1411441

Dimensional drawing



Dimensional drawing

## Classifications

eCl@ss

eCl@ss 10.0.1	27144432
eCl@ss 4.0	27140800
eCl@ss 4.1	27140800
eCl@ss 5.0	27149100
eCl@ss 5.1	27143400
eCl@ss 6.0	27149100
eCl@ss 7.0	27149109
eCl@ss 8.0	27149109
eCl@ss 9.0	27144432

ETIM

ETIM 4.0	EC000441
----------	----------

# Cable gland - HC-B-G-M40-EC-AL - 1411441

## Classifications

### ETIM

ETIM 5.0	EC000441
ETIM 6.0	EC000441
ETIM 7.0	EC000441

### UNSPSC

UNSPSC 13.2	39121311
UNSPSC 18.0	39121311
UNSPSC 19.0	39121311
UNSPSC 20.0	39121311
UNSPSC 21.0	39121311

## Approvals

### Approvals

#### Approvals

UL Recognized / cUL Recognized / cULus Recognized

#### Ex Approvals

### Approval details

UL Recognized		<a href="http://database.ul.com/cgi-bin/XYV/template/LISEXT/1FRAME/index.htm">http://database.ul.com/cgi-bin/XYV/template/LISEXT/1FRAME/index.htm</a>	E255026
---------------	--	---	---------

cUL Recognized		<a href="http://database.ul.com/cgi-bin/XYV/template/LISEXT/1FRAME/index.htm">http://database.ul.com/cgi-bin/XYV/template/LISEXT/1FRAME/index.htm</a>	E255026
----------------	--	---	---------

cULus Recognized			
------------------	--	--	--