

Cable gland - HC-B-G-M20-EC-AL - 1411439


Please be informed that the data shown in this PDF Document is generated from our Online Catalog. Please find the complete data in the user's documentation. Our General Terms of Use for Downloads are valid (<http://phoenixcontact.com/download>)



EVO EMC cable gland with bayonet locking, B series, size M20, cable diameter: 9 ... 13 mm



Key Commercial Data

| | |
|--------------------------------------|---|
| Packing unit | 1 pc |
| GTIN |  4 046356 932370 |
| GTIN | 4046356932370 |
| Weight per Piece (excluding packing) | 40.000 g |
| Custom tariff number | 85389099 |
| Country of origin | Germany |

Technical data

Dimensions

| | |
|-------------------------|----------------|
| Wrench size, union nut | 22 mm |
| External cable diameter | 9 mm ... 12 mm |

Ambient conditions

| | |
|---------------------------------|----------------------------|
| Degree of protection (IP) | IP66 |
| | IP67 |
| Degree of protection (NEMA) | 4 (UL 50e) |
| | 4X (UL 50e) |
| | 12 (UL 50e) |
| Ambient temperature (operation) | -40 °C ... 125 °C (static) |

General

Cable gland - HC-B-G-M20-EC-AL - 1411439

Technical data

General

| | |
|------------------------------|--|
| Type of the screw connection | M20 |
| No. of conductors | 1 |
| Material | Die-cast aluminum, corrosion-resistant |
| Housing material | Die-cast aluminum, corrosion resistant |
| Cable gland material | Aluminum |
| Material, pressure screw | Nickel-plated brass |
| Seal material | NBR |
| Cable seal material | NBR |
| Sealing material | NBR (O-ring) |
| Shielded | yes |
| Tightening torque, union nut | 7.50 Nm |
| Color | silver |

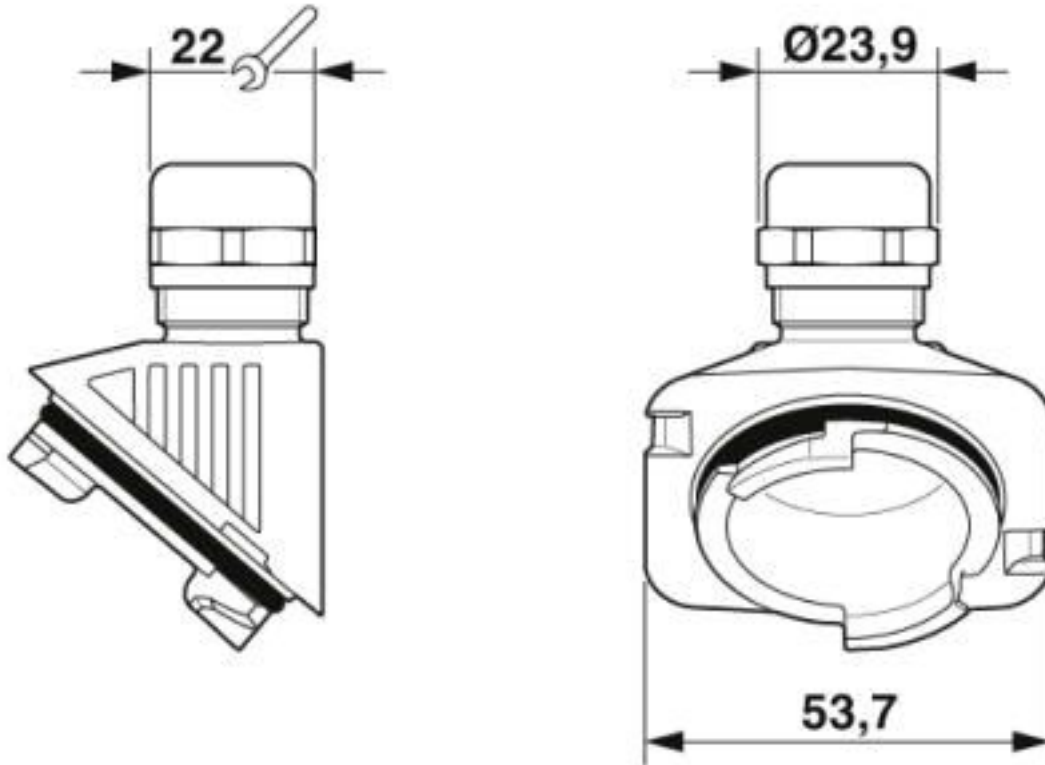
Environmental Product Compliance

| | |
|------------|---|
| REACH SVHC | Lead 7439-92-1 |
| China RoHS | Environmentally Friendly Use Period = 50 years |
| | For details about hazardous substances go to tab "Downloads", Category "Manufacturer's declaration" |

Drawings

Cable gland - HC-B-G-M20-EC-AL - 1411439

Dimensional drawing



Dimensional drawing

Classifications

eCl@ss

| | |
|---------------|----------|
| eCl@ss 10.0.1 | 27144432 |
| eCl@ss 4.0 | 27140800 |
| eCl@ss 4.1 | 27140800 |
| eCl@ss 5.0 | 27149100 |
| eCl@ss 5.1 | 27143400 |
| eCl@ss 6.0 | 27149100 |
| eCl@ss 7.0 | 27149109 |
| eCl@ss 8.0 | 27149109 |
| eCl@ss 9.0 | 27144432 |

ETIM

| | |
|----------|----------|
| ETIM 4.0 | EC000441 |
| ETIM 5.0 | EC000441 |

Cable gland - HC-B-G-M20-EC-AL - 1411439

Classifications

ETIM

| | |
|----------|----------|
| ETIM 6.0 | EC000441 |
| ETIM 7.0 | EC000441 |

UNSPSC

| | |
|-------------|----------|
| UNSPSC 13.2 | 39121311 |
| UNSPSC 18.0 | 39121311 |
| UNSPSC 19.0 | 39121311 |
| UNSPSC 20.0 | 39121311 |
| UNSPSC 21.0 | 39121311 |

Approvals

Approvals

Approvals

UL Recognized / cUL Recognized / cULus Recognized

Ex Approvals

Approval details

| | | | |
|---------------|--|---|---------|
| UL Recognized | | http://database.ul.com/cgi-bin/XYV/template/LISEXT/1FRAME/index.htm | E255026 |
|---------------|--|---|---------|

| | | | |
|----------------|--|---|---------|
| cUL Recognized | | http://database.ul.com/cgi-bin/XYV/template/LISEXT/1FRAME/index.htm | E255026 |
|----------------|--|---|---------|

| | | | |
|------------------|--|--|--|
| cULus Recognized | | | |
|------------------|--|--|--|