

## Housing - HC-EVO-D25-BWS-PLR-BK - 1411344

Please be informed that the data shown in this PDF Document is generated from our Online Catalog. Please find the complete data in the user's documentation. Our General Terms of Use for Downloads are valid (<http://phoenixcontact.com/download>)



Panel mounting base D25, with single locking latch, material: PA, height: 26 mm, cable gland: none, support sleeve: no, protective cover: no, Standard, with flat gasket

### Your advantages

- ✓ Lower costs than metal version
- ✓ Low weight
- ✓ Lower risk of condensation
- ✓ Both contact insert PE sheets are connected by means of a metal frame integrated in the sleeve housing
- ✓ Metal inlays ensure leading PE contact with angled plugs
- ✓ Completely corrosion-resistant
- ✓ Halogen-free plastic



### Key Commercial Data

Packing unit	1 pc
GTIN	 4 046356 929141
GTIN	4046356929141
Weight per Piece (excluding packing)	60.000 g
Custom tariff number	85389099
Country of origin	Poland

### Technical data

#### Dimensions

Height	26 mm
Width	39 mm
Length	97 mm

# Housing - HC-EVO-D25-BWS-PLR-BK - 1411344

## Technical data

### Dimensions

Length of the assembly cutout	74 mm
Width of the assembly cutout	24 mm

### Ambient conditions

Degree of protection (IP)	IP66
Degree of protection (NEMA)	12 (UL 50e)
Ambient temperature (operation)	-40 °C ... 125 °C

### General

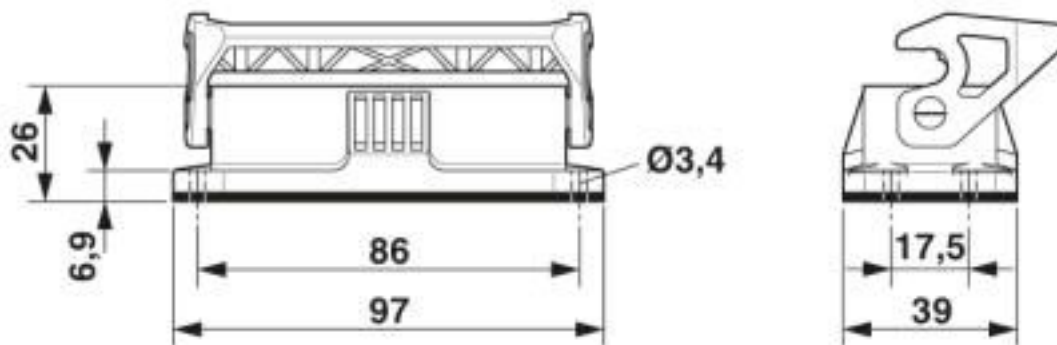
Note	For contact inserts HC-D25, A16
Size	D25
Housing type	Panel mounting base
Color	black
Locking type	with single locking latch
Torque	0.5 Nm ... 1.7 Nm (Fixing screws for panel mounting base)
Screw connection	none
Protective cover	no
Housing material	PA
Material lock	PA

### Environmental Product Compliance

China RoHS	Environmentally friendly use period: unlimited = EFUP-e
	No hazardous substances above threshold values

## Drawings

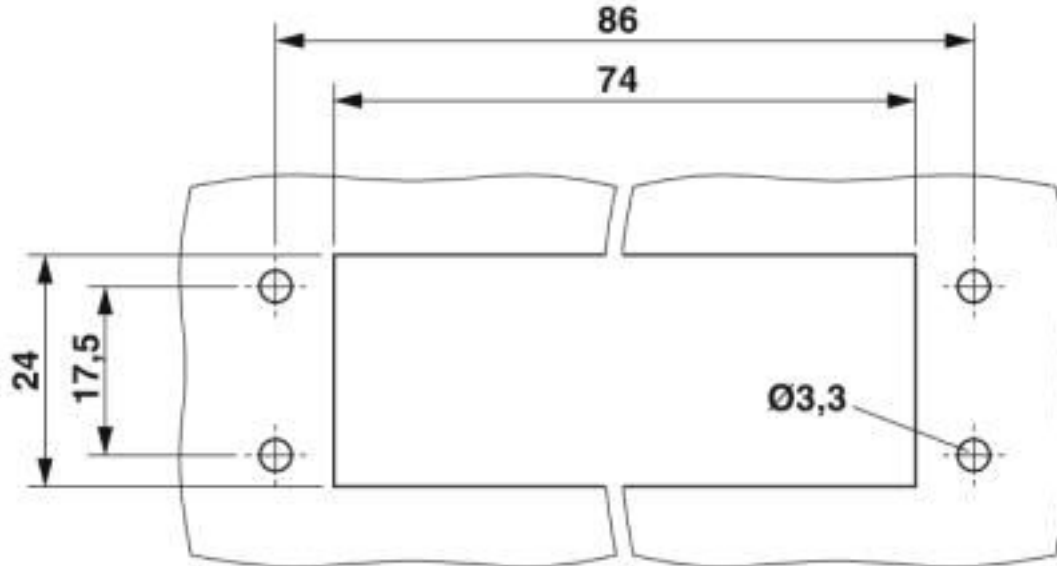
Dimensional drawing



Dimensional drawing

# Housing - HC-EVO-D25-BWS-PLR-BK - 1411344

Dimensional drawing



Mounting cutout

## Classifications

eCl@ss

eCl@ss 10.0.1	27440202
eCl@ss 5.1	27261200
eCl@ss 6.0	27261200
eCl@ss 7.0	27440202
eCl@ss 8.0	27440202
eCl@ss 9.0	27440202

ETIM

ETIM 4.0	EC000437
ETIM 5.0	EC000437
ETIM 6.0	EC000437
ETIM 7.0	EC000437

UNSPSC

UNSPSC 13.2	31261501
UNSPSC 18.0	31261501
UNSPSC 19.0	31261501
UNSPSC 20.0	31261501

# Housing - HC-EVO-D25-BWS-PLR-BK - 1411344

## Classifications

### UNSPSC

UNSPSC 21.0	31261501
-------------	----------

## Approvals

### Approvals

### Approvals

EAC / DNV GL

Ex Approvals

## Approval details

EAC		RU C- DE.AI30.B.01102
-----	--	--------------------------

DNV GL		<a href="https://approvalfinder.dnvgl.com/">https://approvalfinder.dnvgl.com/</a>	TAE000037S
--------	--	---	------------

## Accessories

### Accessories

### Housing latches

Housing brackets - HC-D25-SL-PLBK - 1414668



Replacement plastic single locking latch, for HC-EVO-D25.....BK housing

### Seal

## Housing - HC-EVO-D25-BWS-PLR-BK - 1411344

### Accessories

Flat gasket - HC-D25-SG-RBK - 1414670



Replacement flat gasket, for HEAVYCON EVO panel mounting base HC-EVO-D25.....BK