

Housing - HC-STA-B10-BFDC-ELC-AL - 1411323

Please be informed that the data shown in this PDF Document is generated from our Online Catalog. Please find the complete data in the user's documentation. Our General Terms of Use for Downloads are valid (<http://phoenixcontact.com/download>)



HEAVYCON B10 panel mounting base, for double locking latch, with plastic protective cover, with flat gasket, salt-water-resistant aluminum, conductive profile gasket.

Your advantages

- good shielding in the event of electromagnetic interference

RoHS



Key Commercial Data

Packing unit	1 pc
GTIN	 4 046356 927246
GTIN	4046356927246
Weight per Piece (excluding packing)	100.000 g
Custom tariff number	85389099
Country of origin	China

Technical data

Dimensions

Height	30.5 mm
Width	53 mm
Length	93.5 mm
Length of the assembly cutout	65 mm
Width of the assembly cutout	35 mm

Ambient conditions

Degree of protection (IP)	IP66 (when plugged in)
	IP67 (when plugged in)

Housing - HC-STA-B10-BFDC-ELC-AL - 1411323

Technical data

Ambient conditions

	IP54 (with closed protective cover)
Ambient temperature (operation)	-40 °C ... 125 °C

General

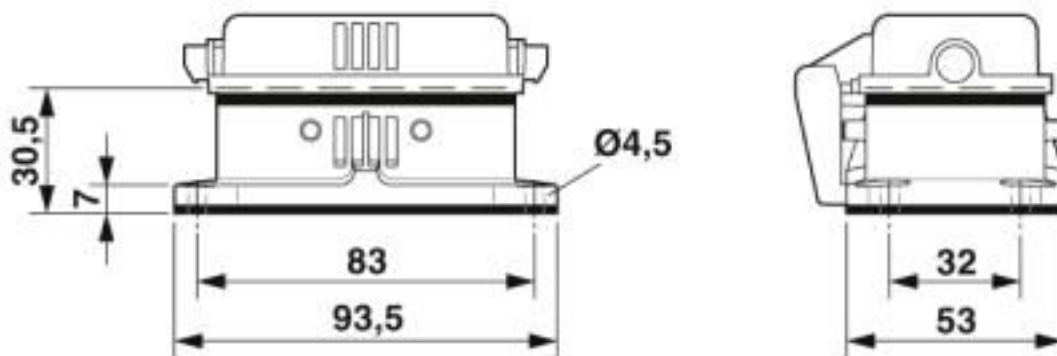
Note	For contact inserts HC-B10, BB18, DD42, M, K8/24
Size	B10
Housing type	Panel mounting base
Color	gray aluminum
Locking type	for double locking latch
Torque	1.5 Nm ... 2 Nm (Mounting screw)
Screw connection	none
Protective cover	yes
Housing material	Die-cast aluminum, salt water resistant
Housing surface material	uncoated
Seal material	NBR, conductive
Material, protective cover	PA

Environmental Product Compliance

China RoHS	Environmentally friendly use period: unlimited = EFUP-e
	No hazardous substances above threshold values

Drawings

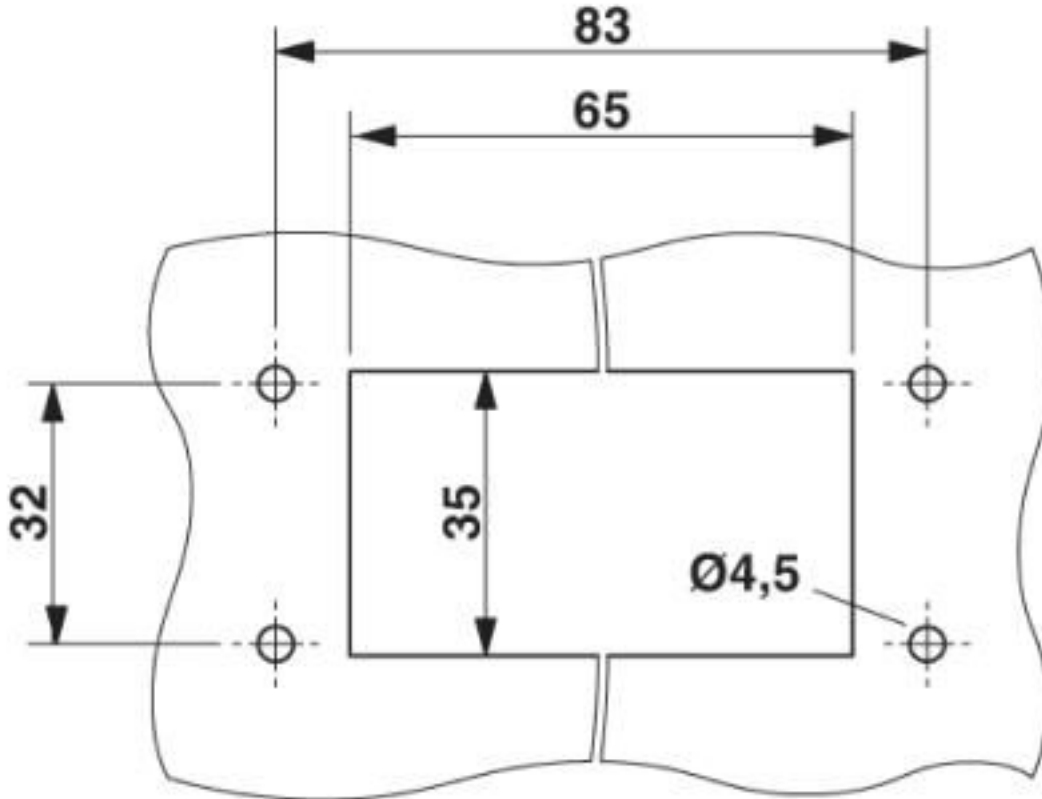
Dimensional drawing



Dimensional drawing

Housing - HC-STA-B10-BFDC-ELC-AL - 1411323

Dimensional drawing



Mounting cutout

Classifications

eCl@ss

eCl@ss 10.0.1	27440202
eCl@ss 5.1	27261200
eCl@ss 6.0	27261200
eCl@ss 7.0	27440202
eCl@ss 8.0	27440202
eCl@ss 9.0	27440202

ETIM

ETIM 4.0	EC000437
ETIM 5.0	EC000437
ETIM 6.0	EC000437
ETIM 7.0	EC000437

Housing - HC-STA-B10-BFDC-ELC-AL - 1411323

Classifications

UNSPSC

UNSPSC 13.2	31261501
UNSPSC 18.0	31261501
UNSPSC 19.0	31261501
UNSPSC 20.0	31261501
UNSPSC 21.0	31261501

Approvals

Approvals

Approvals

EAC / DNV GL

Ex Approvals

Approval details

EAC		RU C- DE.AI30.B.01102
-----	--	--------------------------

DNV GL		https://approvalfinder.dnvgl.com/	TAE000037S
--------	--	---	------------

Accessories

Accessories

Seal

Flat gasket - HC-B10-SG-CBK - 1411484



Replacement flat gasket, for HEAVYCON panel mounting base, HC-STA...AL, type B10, conductive

Housing - HC-STA-B10-BFDC-ELC-AL - 1411323

Accessories

Profile gasket - HC-B10-SP-CBK - 1411479



Profile gasket for HEAVYCON EVO supporting base element type B10, conductive
