


Flat gasket - A-SEW-63-P-W - 1411288

Please be informed that the data shown in this PDF Document is generated from our Online Catalog. Please find the complete data in the user's documentation. Our General Terms of Use for Downloads are valid (<http://phoenixcontact.com/download>)

Flat gasket, material: Nylon, for threads M63, color: white



Key Commercial Data

Packing unit	1 pc
Minimum order quantity	10 pc
GTIN	 4 046356 924177
GTIN	4046356924177
Custom tariff number	39269097
Country of origin	United Kingdom

Technical data

Dimensions

Outside diameter	77.9 mm
------------------	---------

Ambient conditions

Ambient temperature (operation)	-60 °C ... 130 °C
---------------------------------	-------------------

General

Material	Nylon
Thread type on connection side	M63
Color	white
Assembly instructions	for A-EXSH-M...-68L-... / G-ESSWU-M... / G-EDSWU-M... / G-ESS-M...
Manufacturer	CMP
Manufacturer product number	63ETS2

Flat gasket - A-SEW-63-P-W - 1411288

Technical data

General

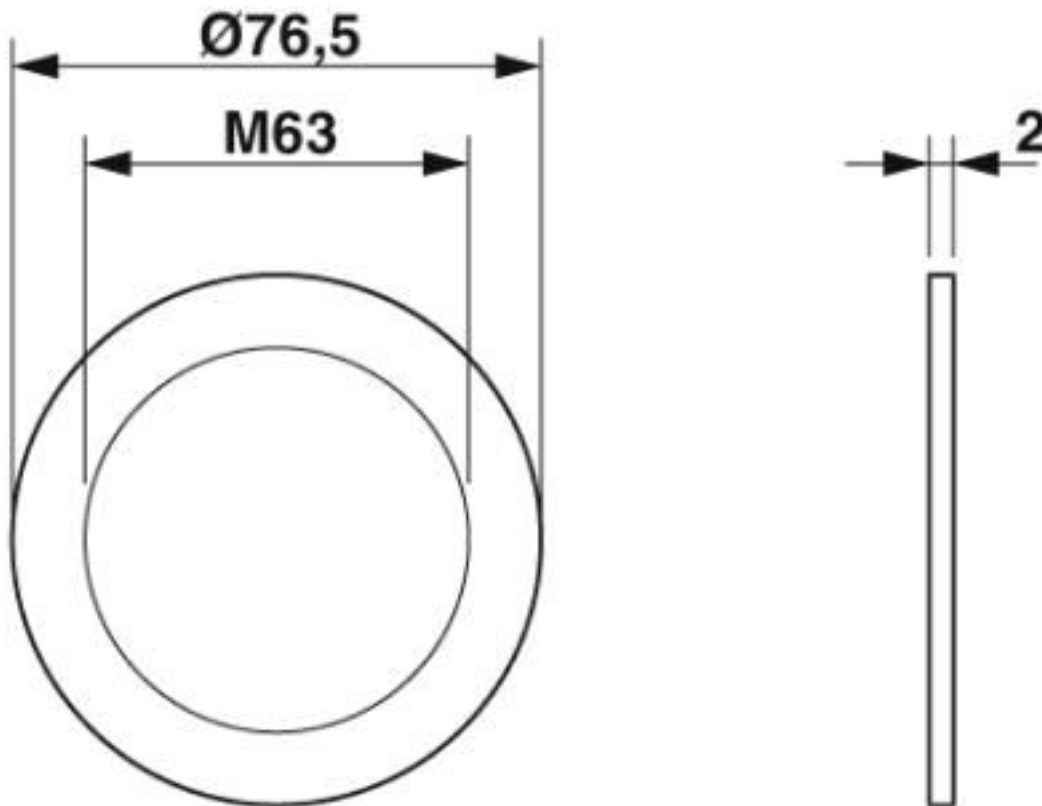
Manufacturer Designation	63MM WHITE NYLON ETS 2MM THICK
--------------------------	--------------------------------

Environmental Product Compliance

REACH SVHC	Lead 7439-92-1
China RoHS	Environmentally friendly use period: unlimited = EFUP-e
	No hazardous substances above threshold values

Drawings

Dimensional drawing



Dimensional drawing

Classifications

eCl@ss

eCl@ss 10.0.1	27430319
---------------	----------

Flat gasket - A-SEW-63-P-W - 1411288

Classifications

eCl@ss

eCl@ss 4.0	27141200
eCl@ss 4.1	27141200
eCl@ss 5.0	27149100
eCl@ss 5.1	27149100
eCl@ss 6.0	27149100
eCl@ss 7.0	27439218
eCl@ss 8.0	27439218
eCl@ss 9.0	27430319

ETIM

ETIM 4.0	EC000032
ETIM 5.0	EC000129
ETIM 6.0	EC001181
ETIM 7.0	EC001181