

## Flat gasket - A-SEW-40-P-W - 1411286


Please be informed that the data shown in this PDF Document is generated from our Online Catalog. Please find the complete data in the user's documentation. Our General Terms of Use for Downloads are valid (<http://phoenixcontact.com/download>)

Flat gasket, material: Nylon, for threads M40, color: white



RoHS

### Key Commercial Data

Packing unit	1 pc
Minimum order quantity	20 pc
GTIN	 4 046356 924078
GTIN	4046356924078
Weight per Piece (excluding packing)	5.000 g
Custom tariff number	39269097
Country of origin	United Kingdom

### Technical data

#### Dimensions

Outside diameter	52.8 mm
------------------	---------

#### Ambient conditions

Ambient temperature (operation)	-60 °C ... 130 °C
---------------------------------	-------------------

#### General

Material	Nylon
Thread type on connection side	M40
Color	white
Assembly instructions	for A-EXSH-M...-68L-... / G-ESSWU-M... / G-EDSWU-M... / G-ESS-M...
Manufacturer	CMP

# Flat gasket - A-SEW-40-P-W - 1411286

## Technical data

### General

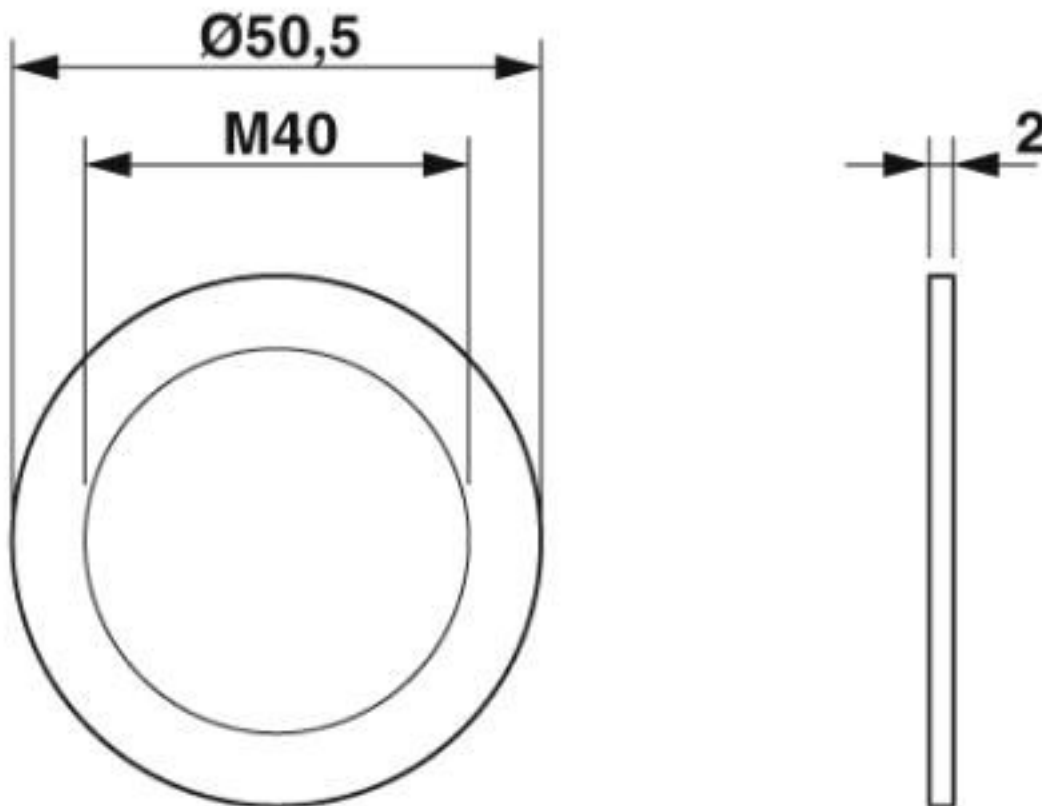
Manufacturer product number	40ETS2
Manufacturer Designation	40MM WHITE NYLON ETS 2MM THICK

### Environmental Product Compliance

REACH SVHC	Lead 7439-92-1
China RoHS	Environmentally friendly use period: unlimited = EFUP-e
	No hazardous substances above threshold values

## Drawings

Dimensional drawing



Dimensional drawing

## Flat gasket - A-SEW-40-P-W - 1411286

### Classifications

#### eCl@ss

eCl@ss 10.0.1	27430319
eCl@ss 4.0	27141200
eCl@ss 4.1	27141200
eCl@ss 5.0	27149100
eCl@ss 5.1	27149100
eCl@ss 6.0	27149100
eCl@ss 7.0	27439218
eCl@ss 8.0	27439218
eCl@ss 9.0	27430319

#### ETIM

ETIM 4.0	EC000032
ETIM 5.0	EC000129
ETIM 6.0	EC001181
ETIM 7.0	EC001181